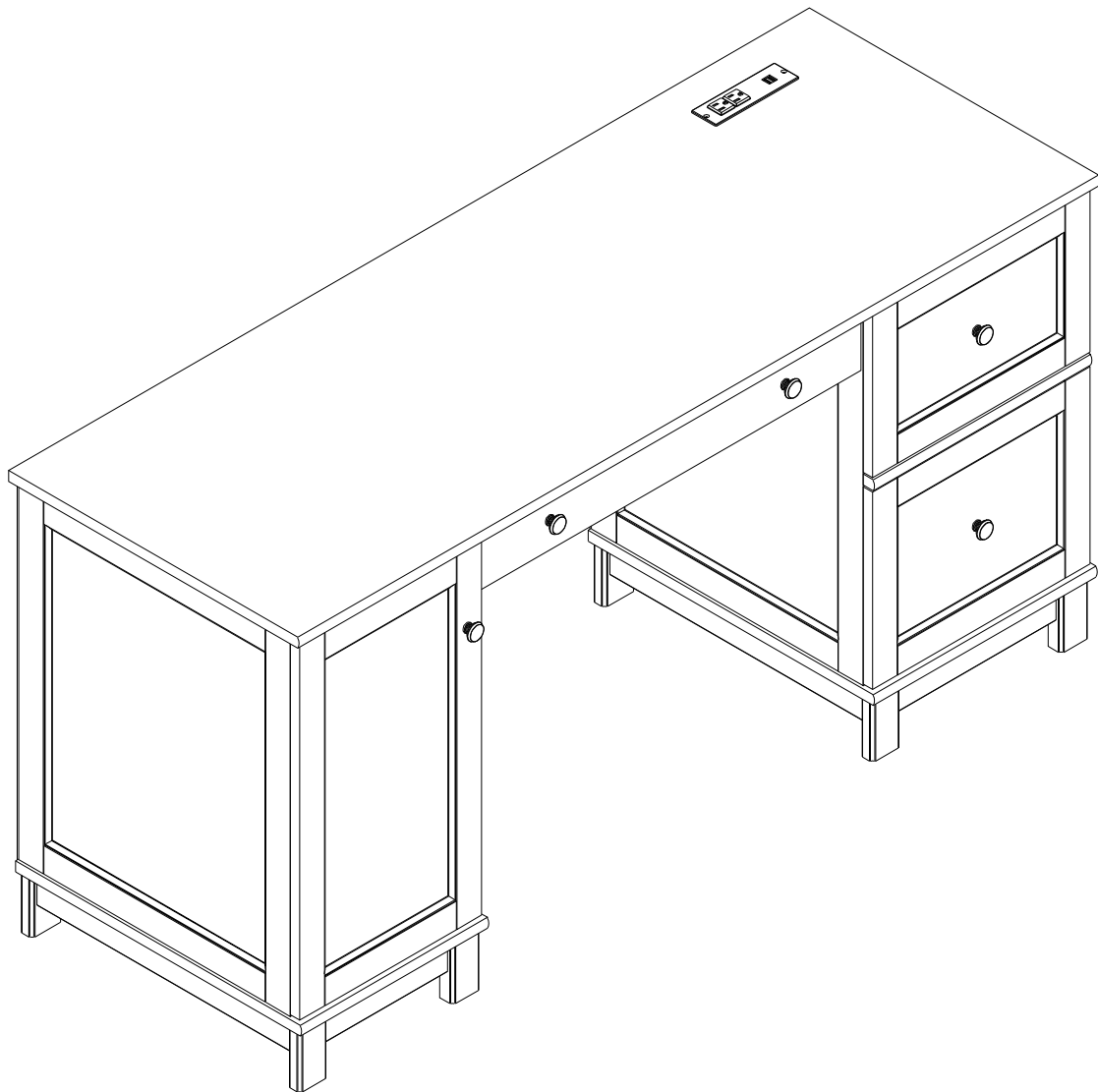


RUSTIC Desk 1524

Assembly Instruction



Vicissitudes

INTRODUCTION

Thank you for purchasing our products. Please read the instructions carefully before installation and keep it in a safe place for future reference. If you need any assistance or support, please feel free to contact our customer support team.

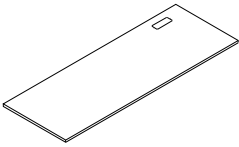
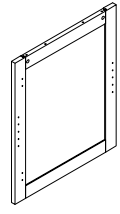
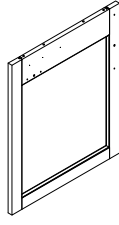
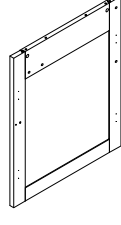
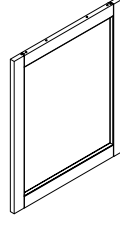

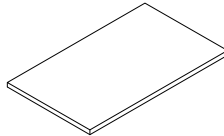
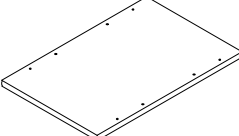
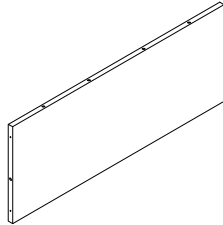
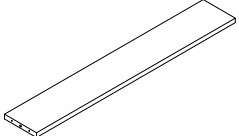
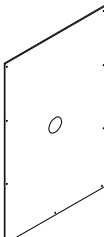
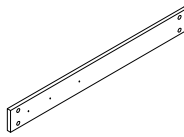
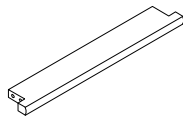
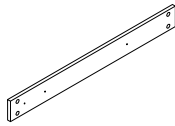
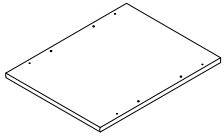
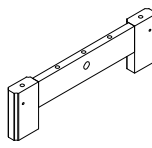
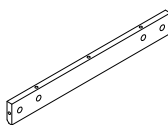
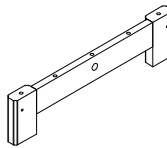
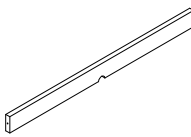
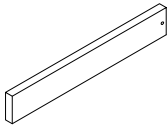
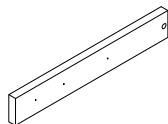
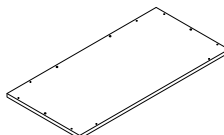
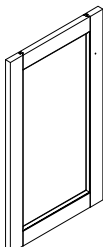
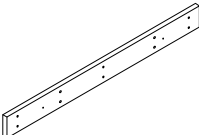
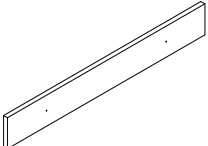
PRECAUTIONS

1. There are many components and accessories in the package. Each component and accessory is labeled with a letter or a number, check carefully before using any of them. Keep them away from children to prevent accidents.
2. Please install the product on a clean and soft underlay (such as carpet or cardboard) to avoid scratching or damaging the surface of the product.
3. The main components of the product are relatively heavy. Please pay attention to safety during installation.
4. The product is not stable during installation. Please do not move it randomly until it is completely installed.
5. If you have any questions during installation, please contact the customer service in time.

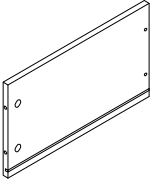
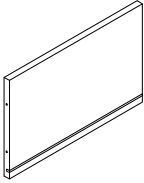
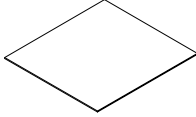
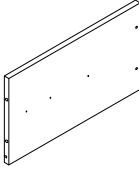
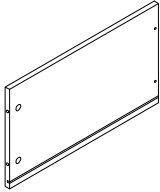
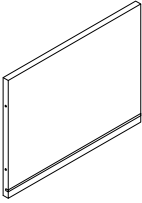
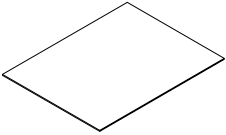
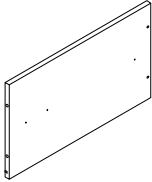
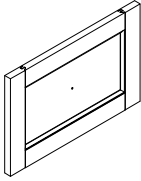
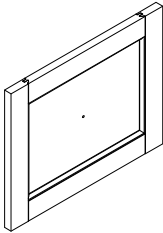
***PLEASE BE SURE TO FOLLOW THE INSTALLATION STEPS IN THE MANUAL TO AVOID UNNECESSARY LOSSES CAUSED BY IMPROPER INSTALLATION.**

***IF YOU NEED FURTHER ASSISTANCE, PLEASE CONTACT THE CUSTOMER SERVICE ONLINE.**

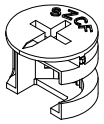
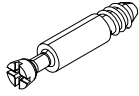
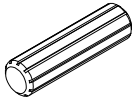
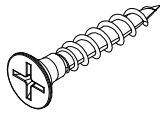

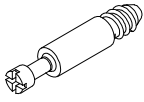
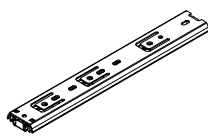
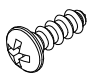
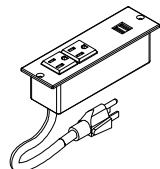
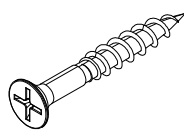
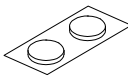
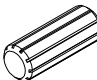
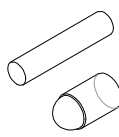
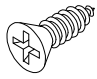
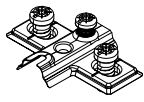
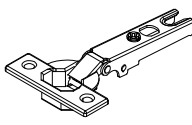
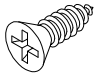

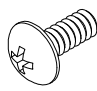
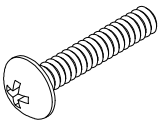
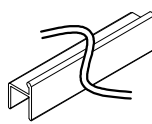
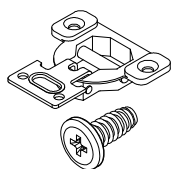
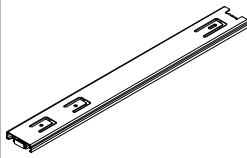
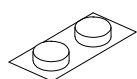
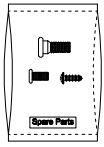
Parts List

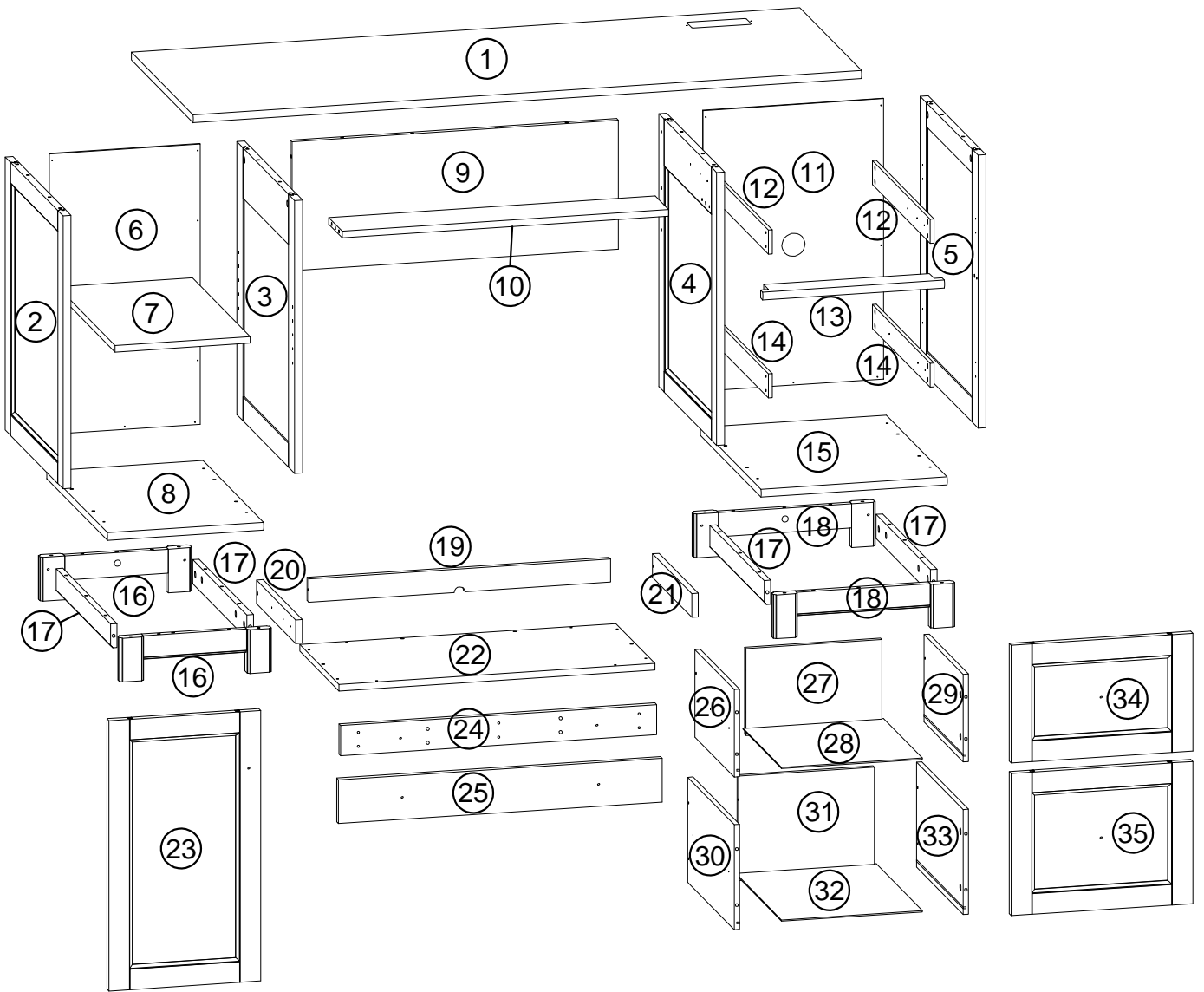
 ① × 1	 ② × 1	 ③ × 1	 ④ × 1	 ⑤ × 1
 ⑥ × 1	 ⑦ × 1	 ⑧ × 1	 ⑨ × 1	 ⑩ × 1
 ⑪ × 1	 ⑫ × 2	 ⑬ × 1	 ⑭ × 2	 ⑮ × 1
 ⑯ × 2	 ⑰ × 4	 ⑱ × 2	 ⑲ × 1	 ⑳ × 1
 ㉑ × 1	 ㉒ × 1	 ㉓ × 1	 ㉔ × 1	 ㉕ × 1

Parts List

 ②⑥ × 1	 ②⑦ × 1	 ②⑧ × 1	 ②⑨ × 1	 ③⑩ × 1
 ③① × 1	 ③② × 1	 ③③ × 1	 ③④ × 1	 ③⑤ × 1

Hardware List

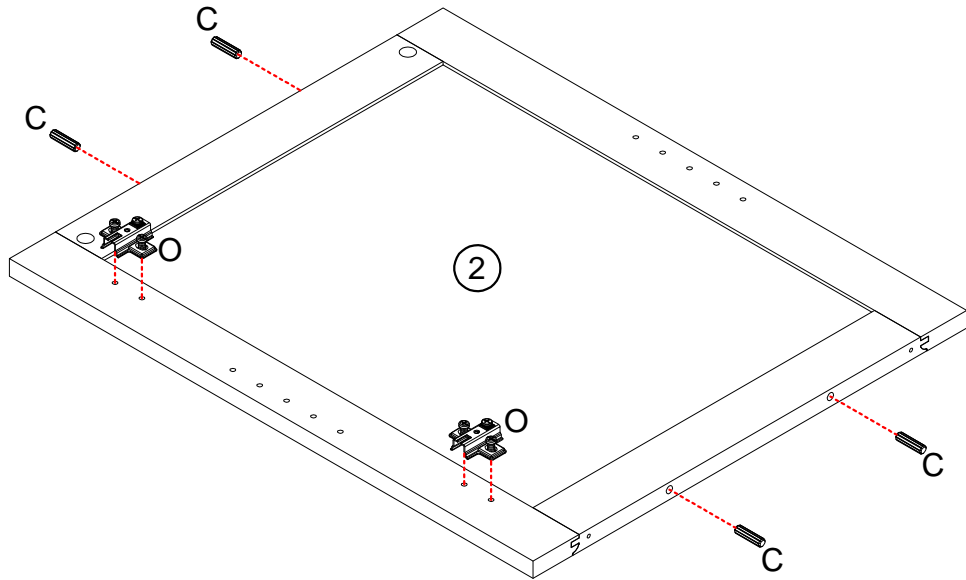
				
A × 32	B × 32	C × 48	D × 22	E × 8
				
F × 8	G × 4	H × 54	I × 1	J × 32
				
K × 1	L × 4	M × 4	N × 8	O × 2
				
P × 2	Q × 2	R × 5	S × 2	T × 3
				
U × 2	V × 2	W × 2	X × 1	Y × 1



STEP 1


 C × 4

 O × 2

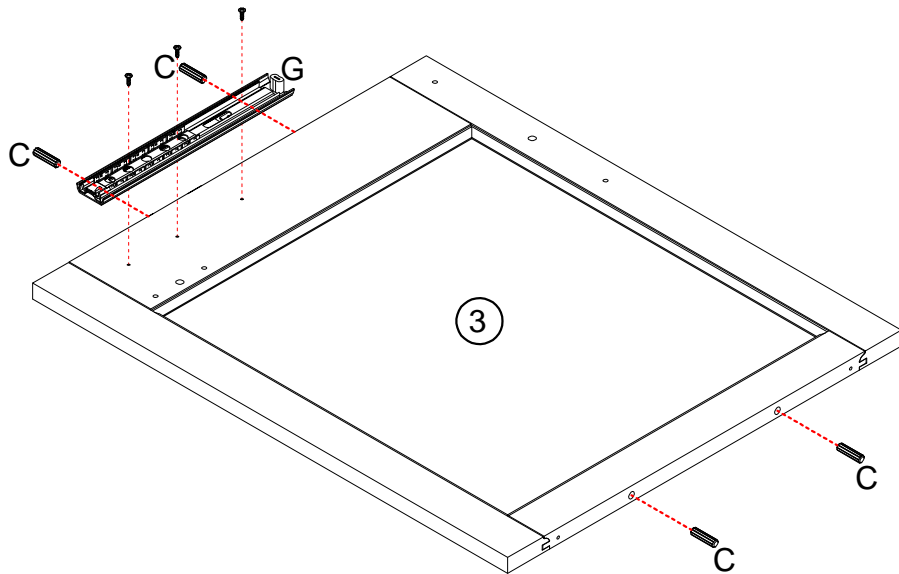


STEP 2

 C × 4

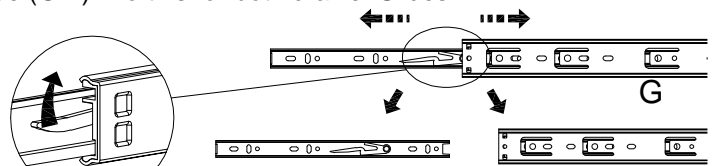
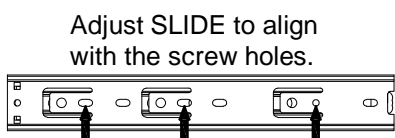
 H × 3

 G × 1



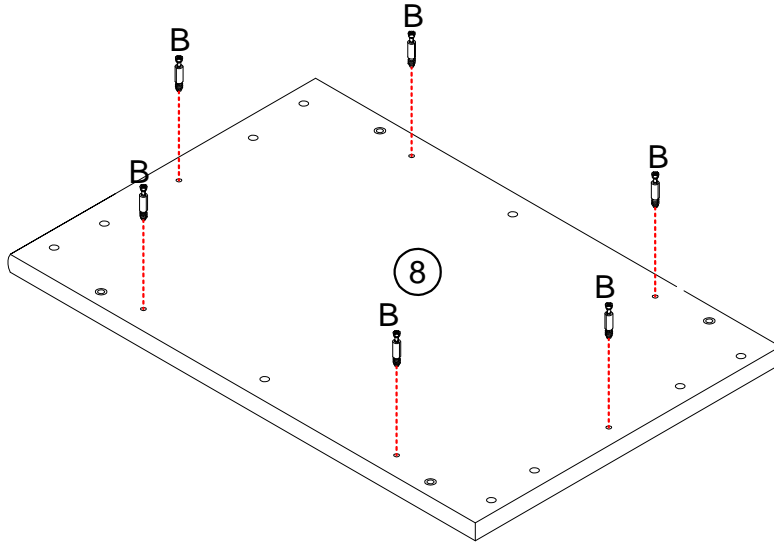
Detaching the Slide

Press lever to disconnect and separate the Extension Slide (G-2) from the Slide (G-1). Do this for both drawer Slides.



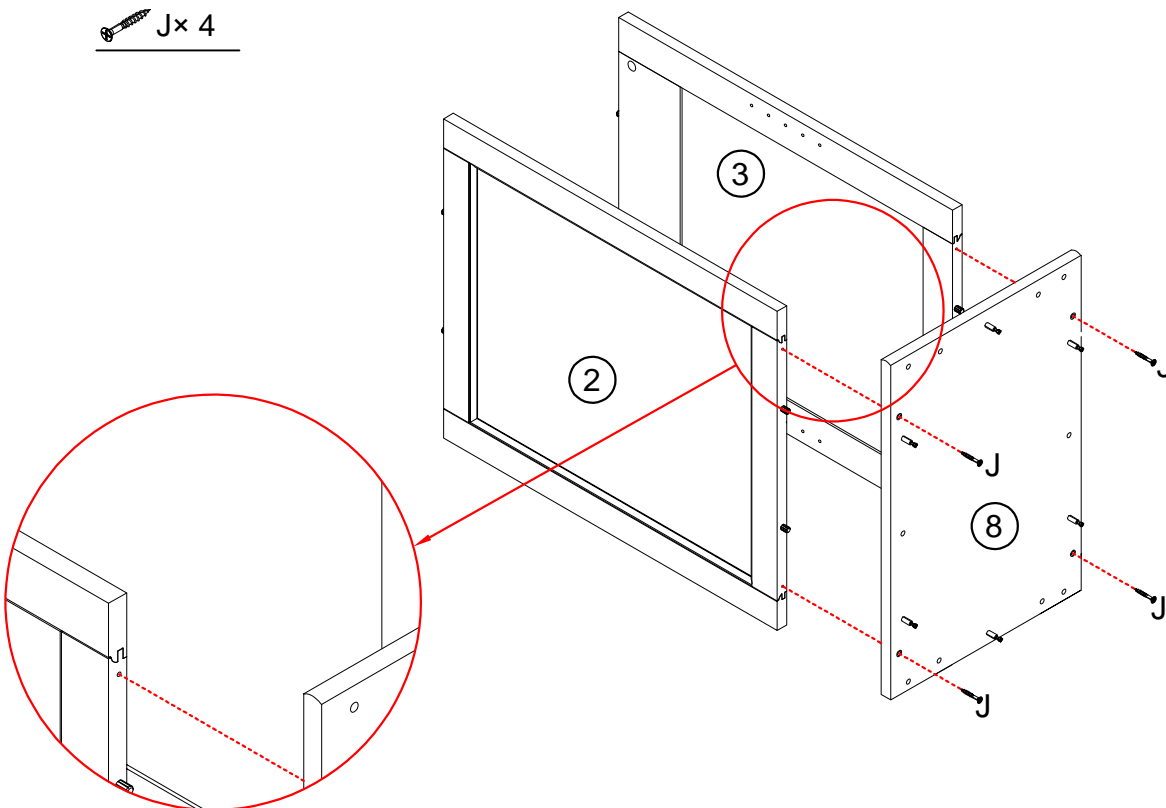
STEP 3

 B × 6

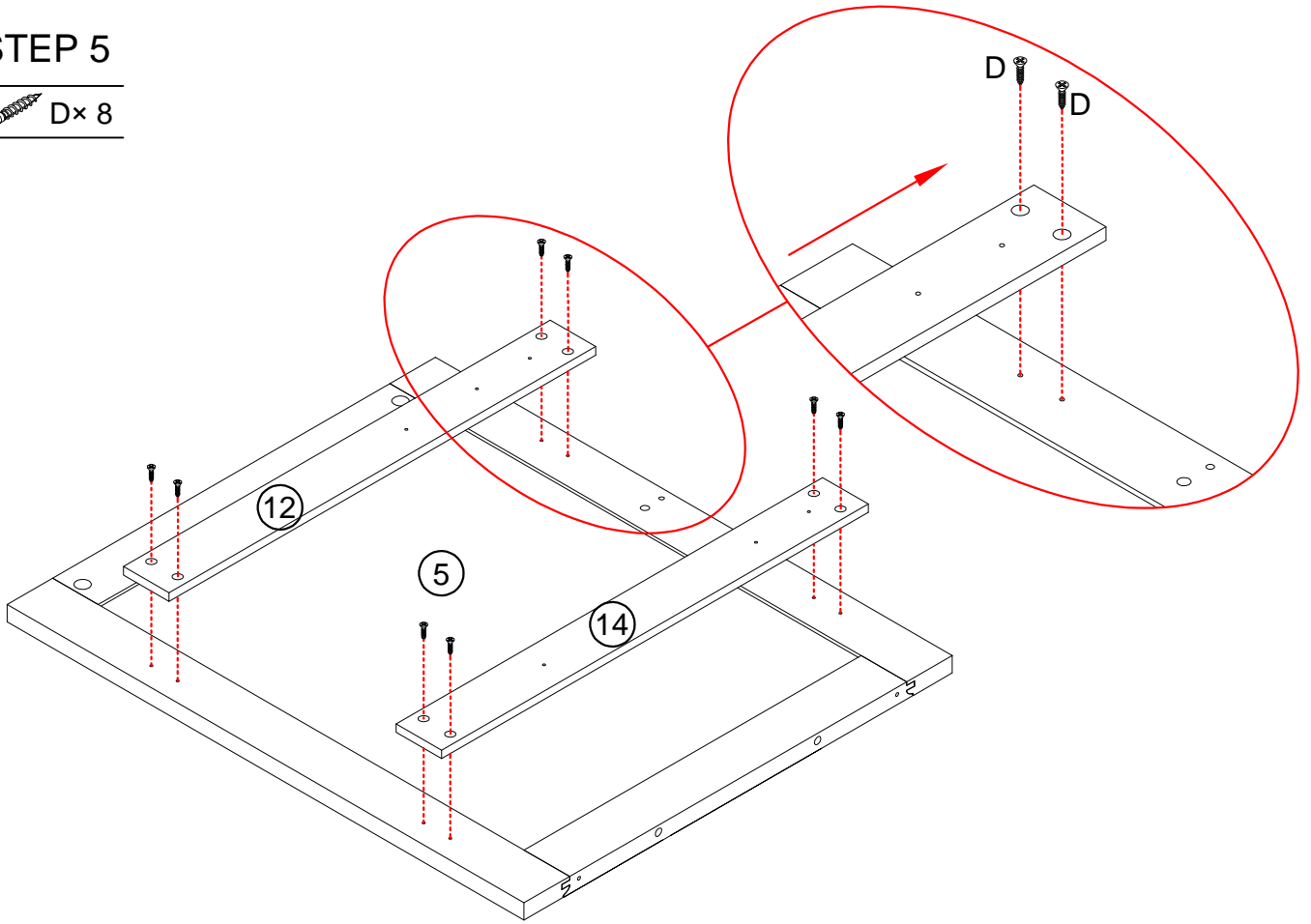


STEP 4

 J × 4

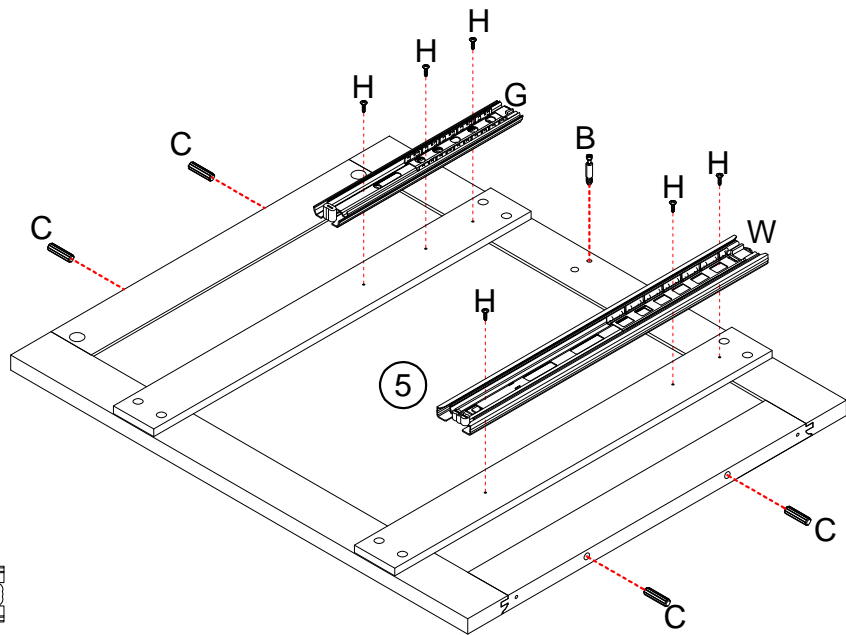


STEP 5

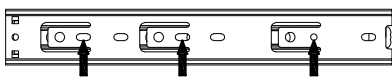


STEP 6

- C x 4
- B x 1
- H x 6
- G x 1
- W x 1



Adjust SLIDE to align with the screw holes.



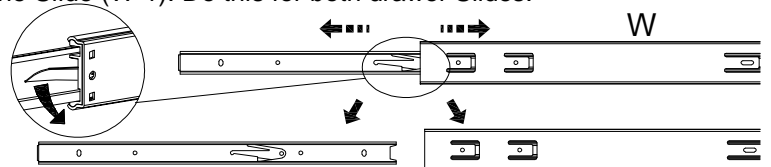
G-1



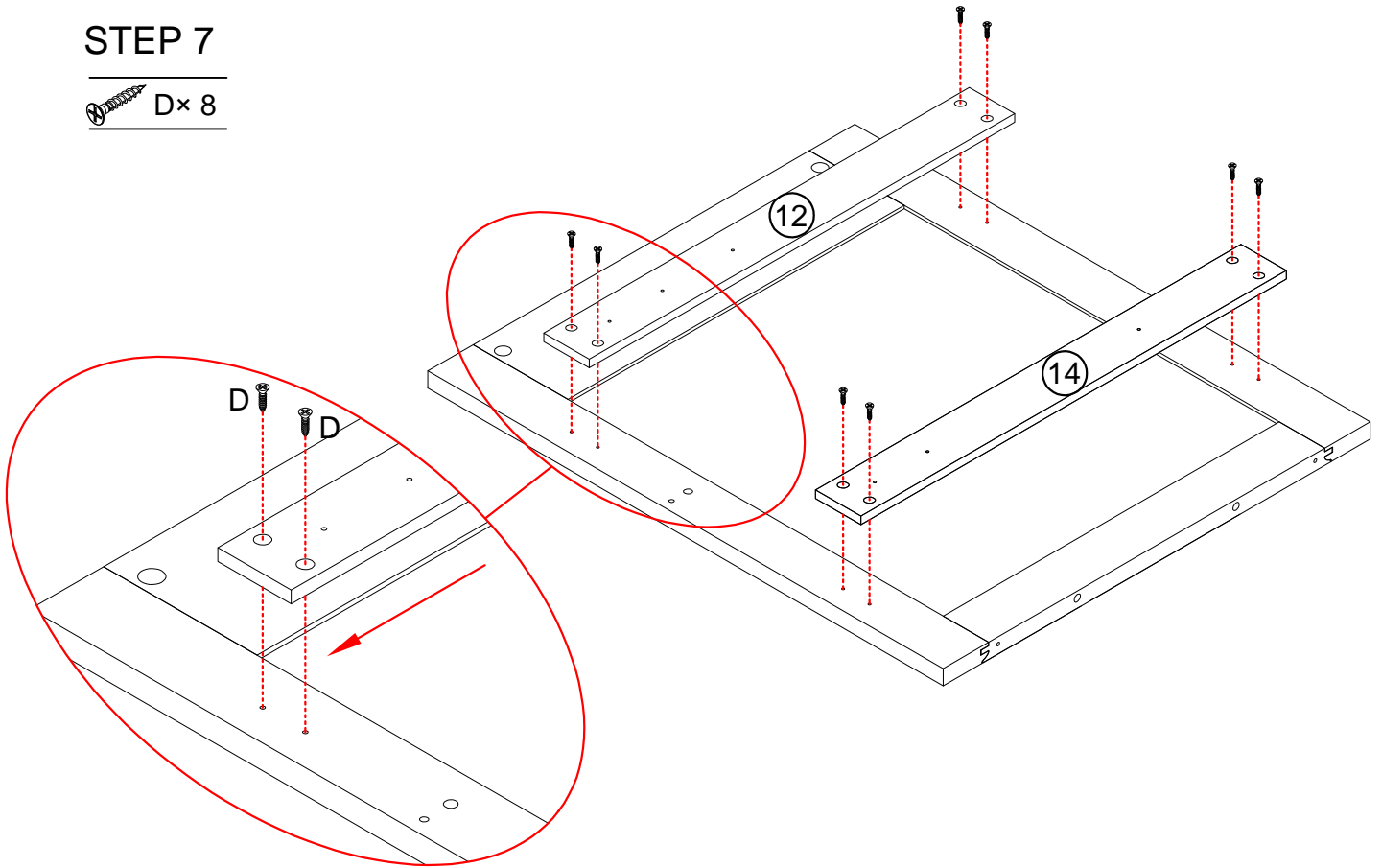
W-1

Detaching the Slide

Press lever to disconnect and separate the Extension Slide (W-2) the Slide (W-1). Do this for both drawer Slides.

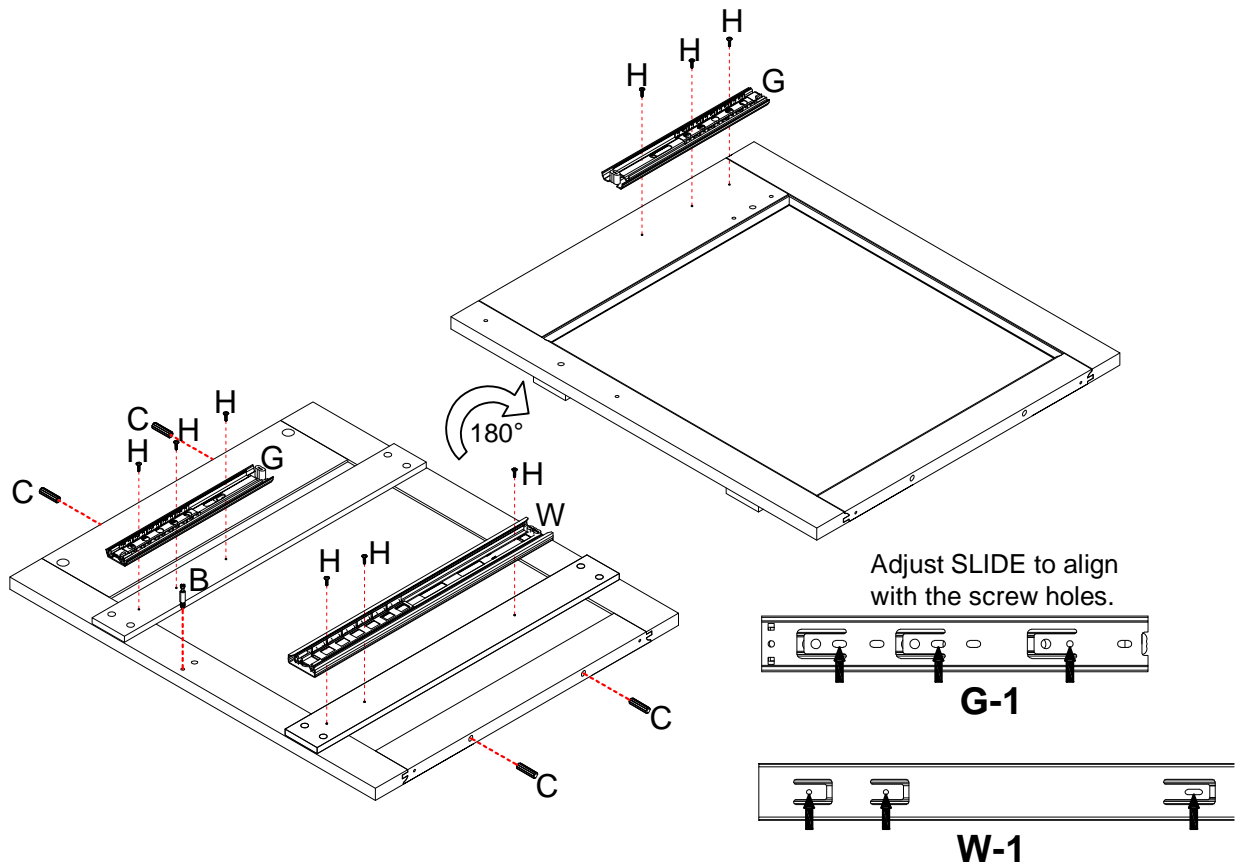


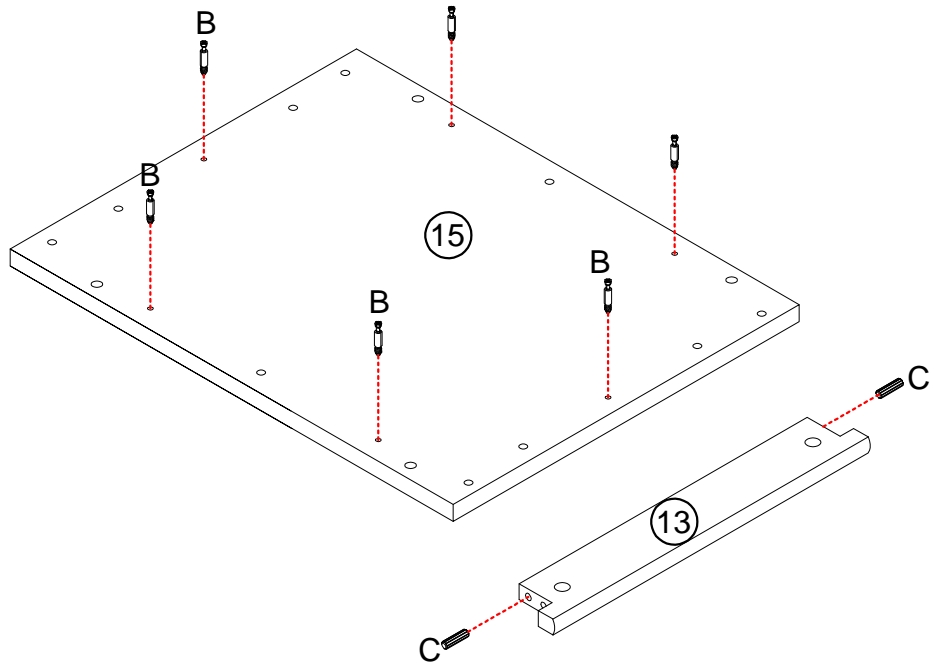

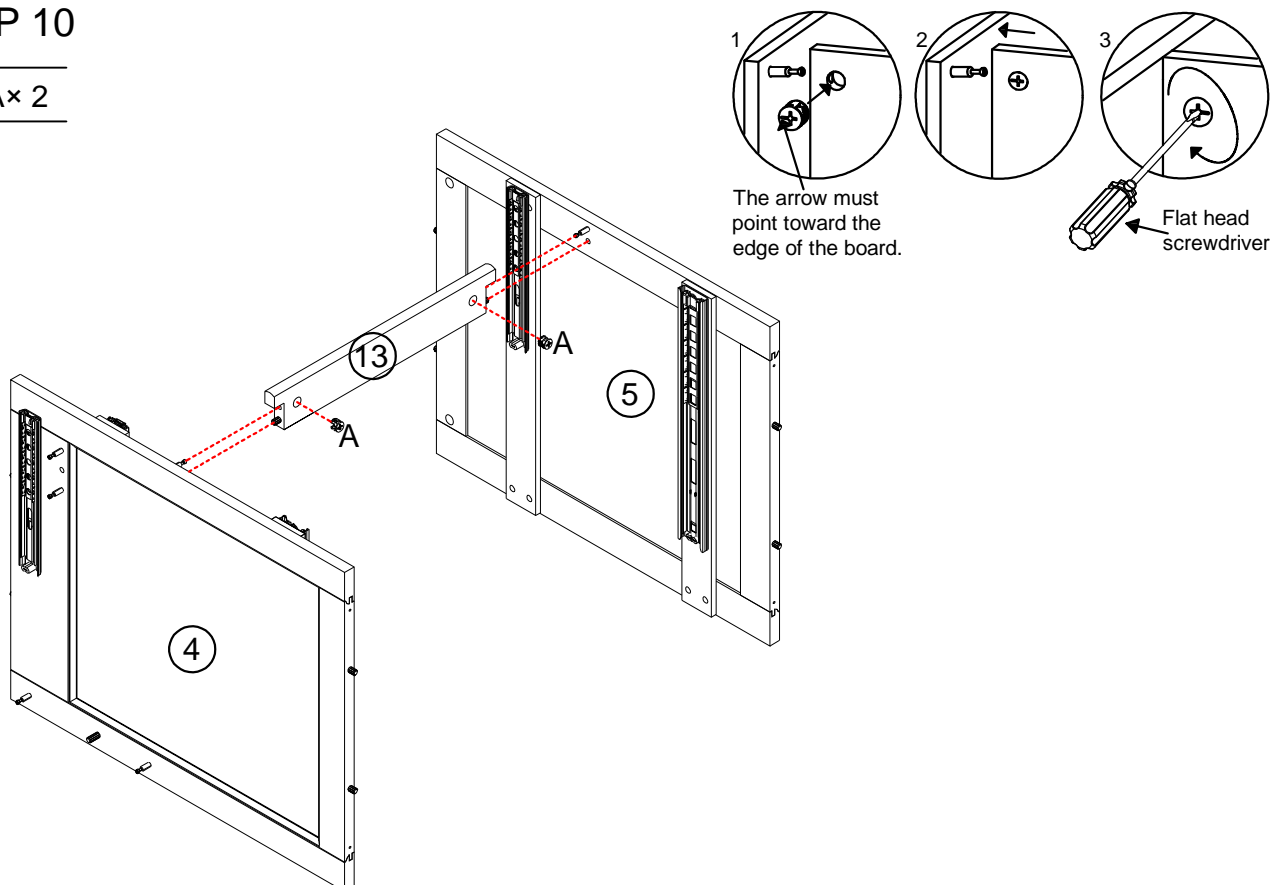
STEP 7



STEP 8

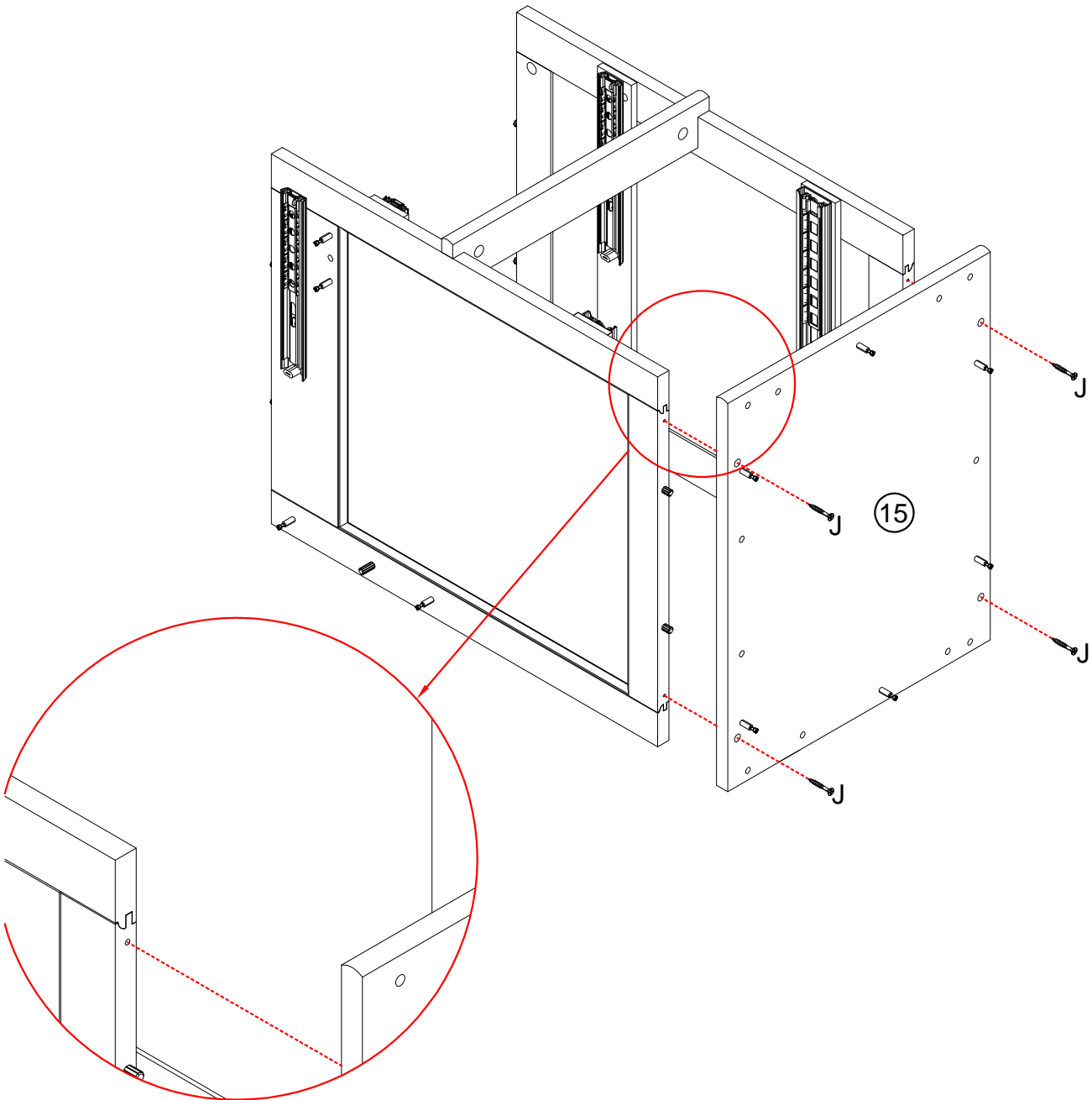
- C x 4
- B x 1
- H x 9
- G x 2
- W x 1



STEP 9 C × 2 B × 6**STEP 10** A × 2

STEP 11

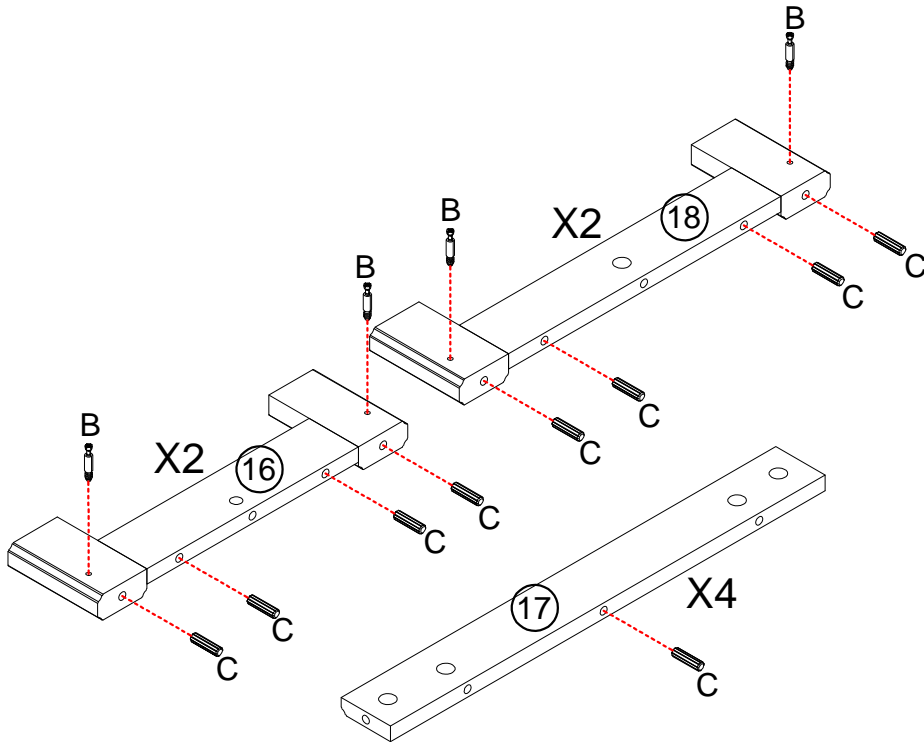
 J x 4




STEP 12

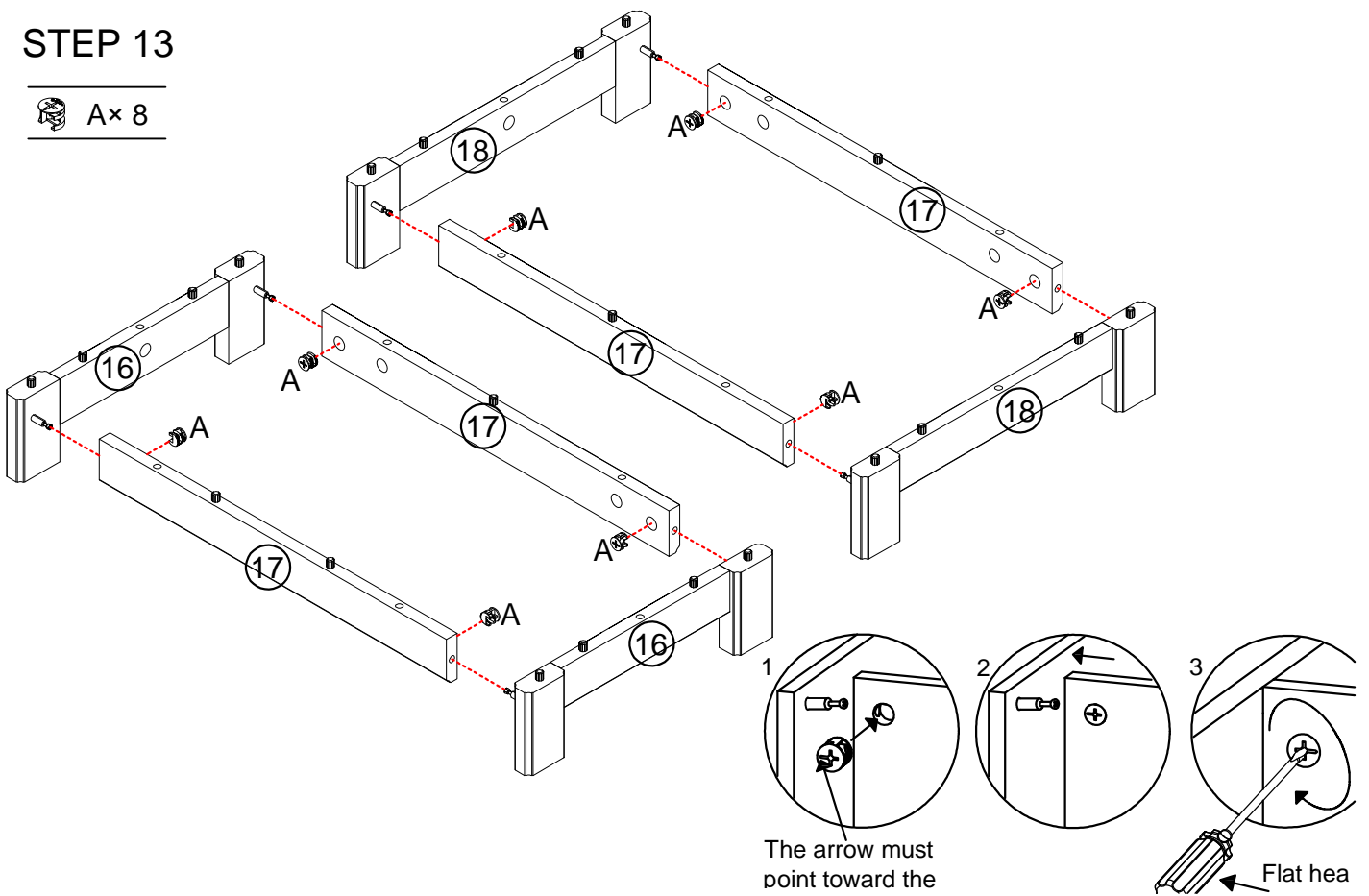
 C × 20

 B × 8




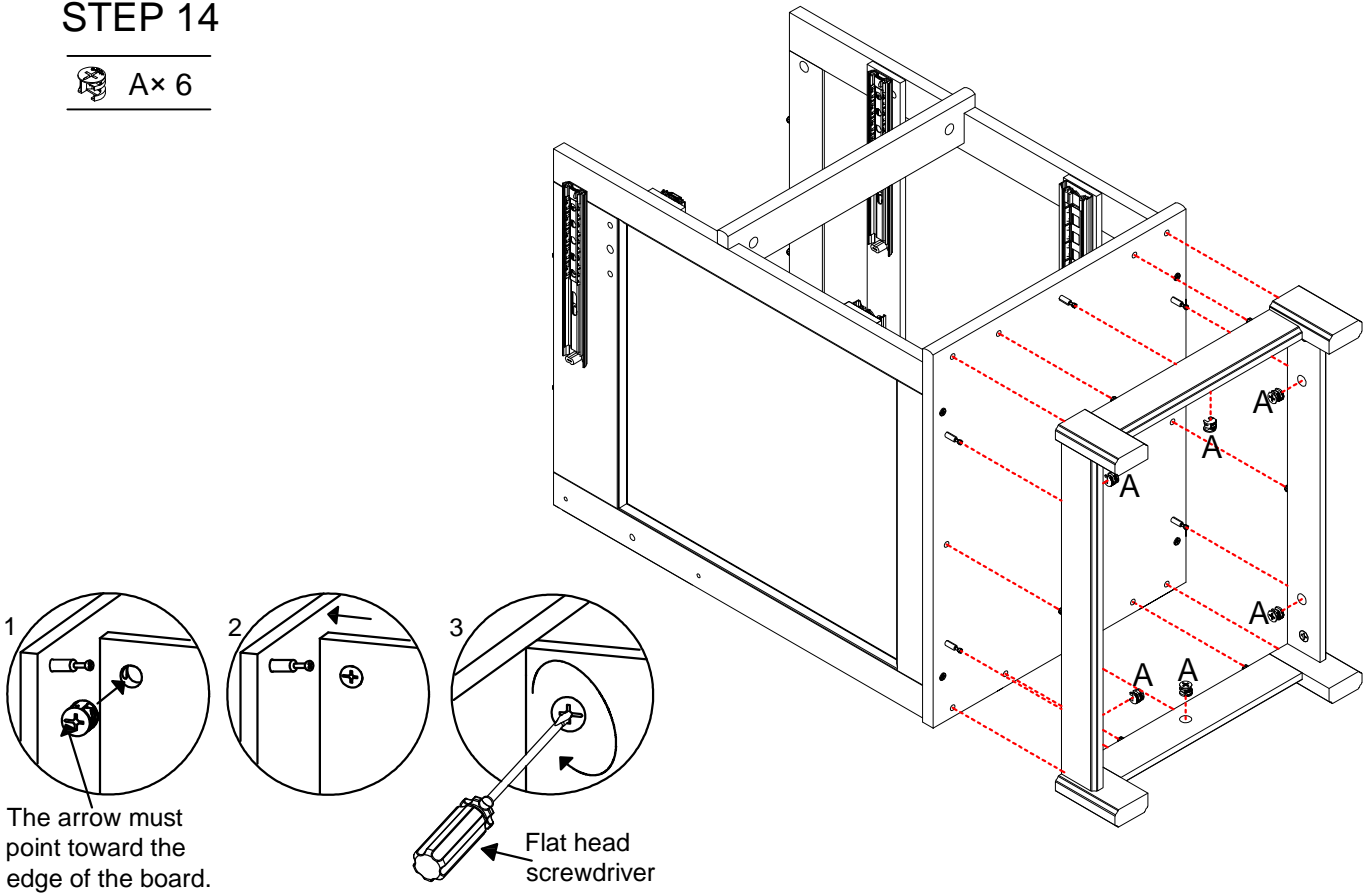
STEP 13

 A × 8




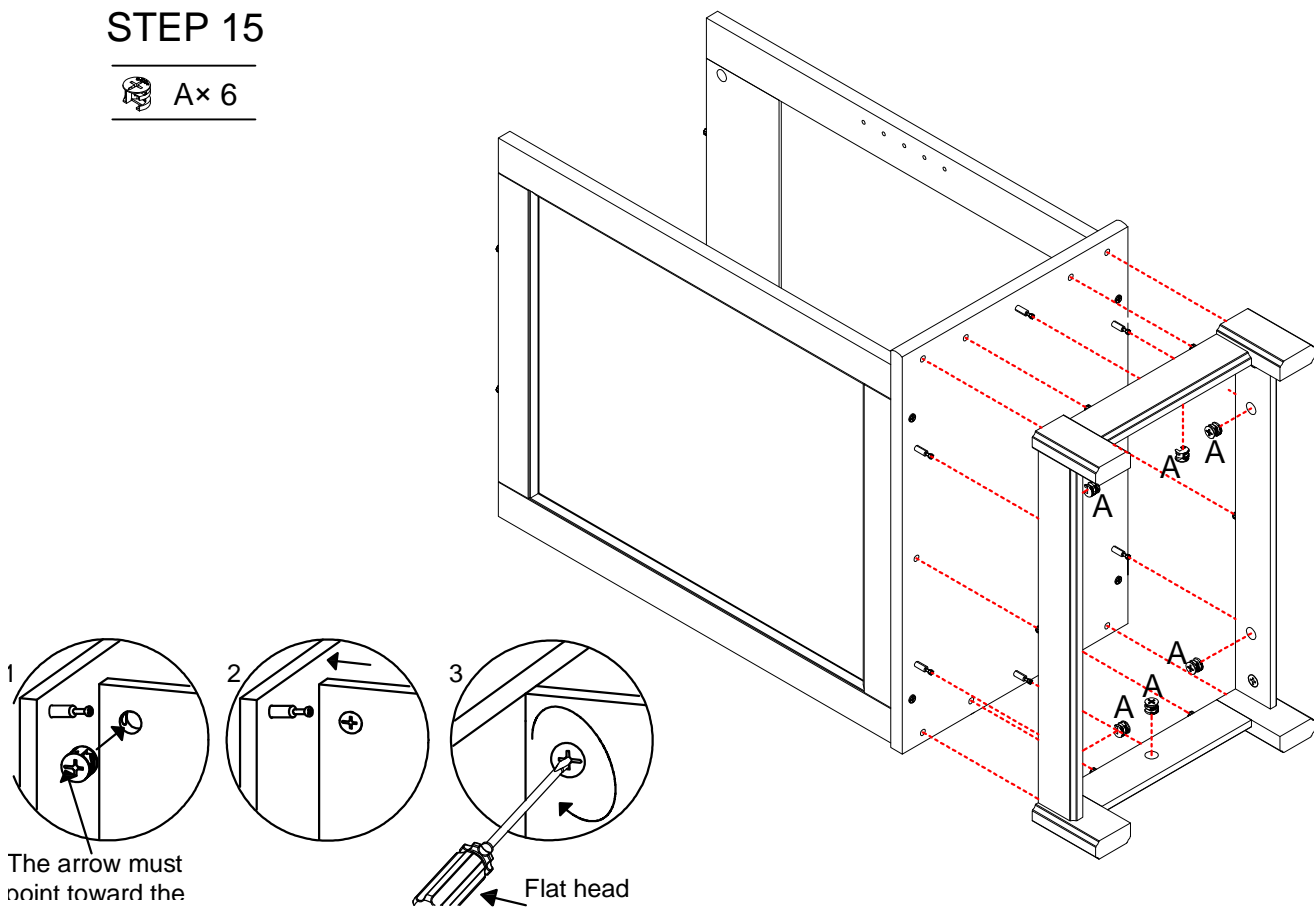
STEP 14


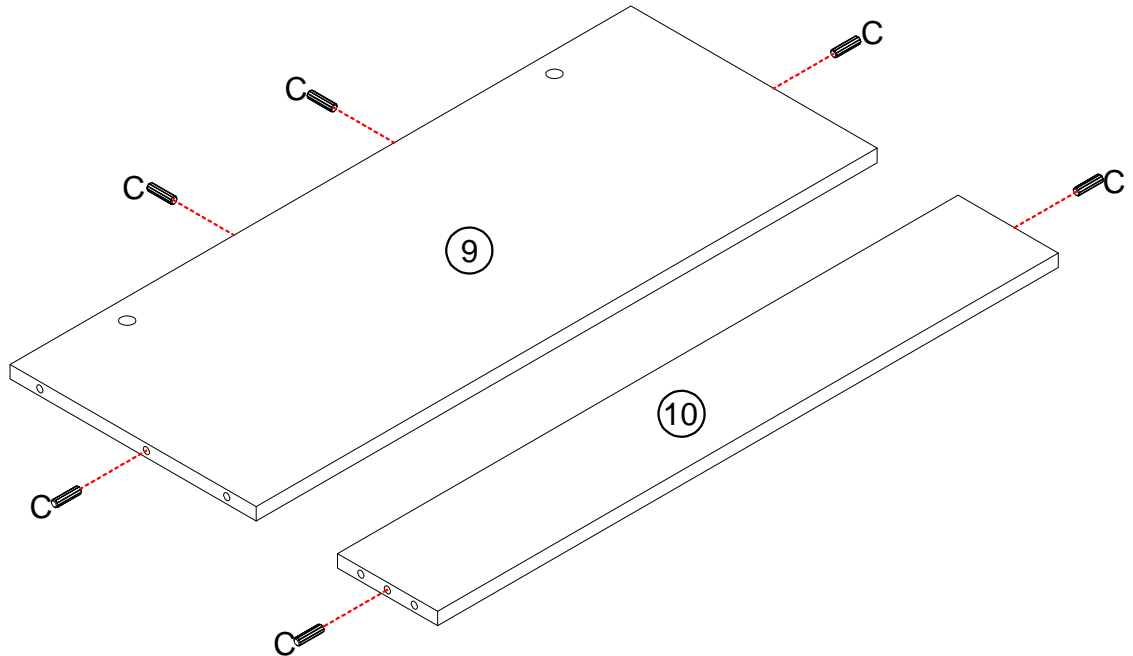
 A×6

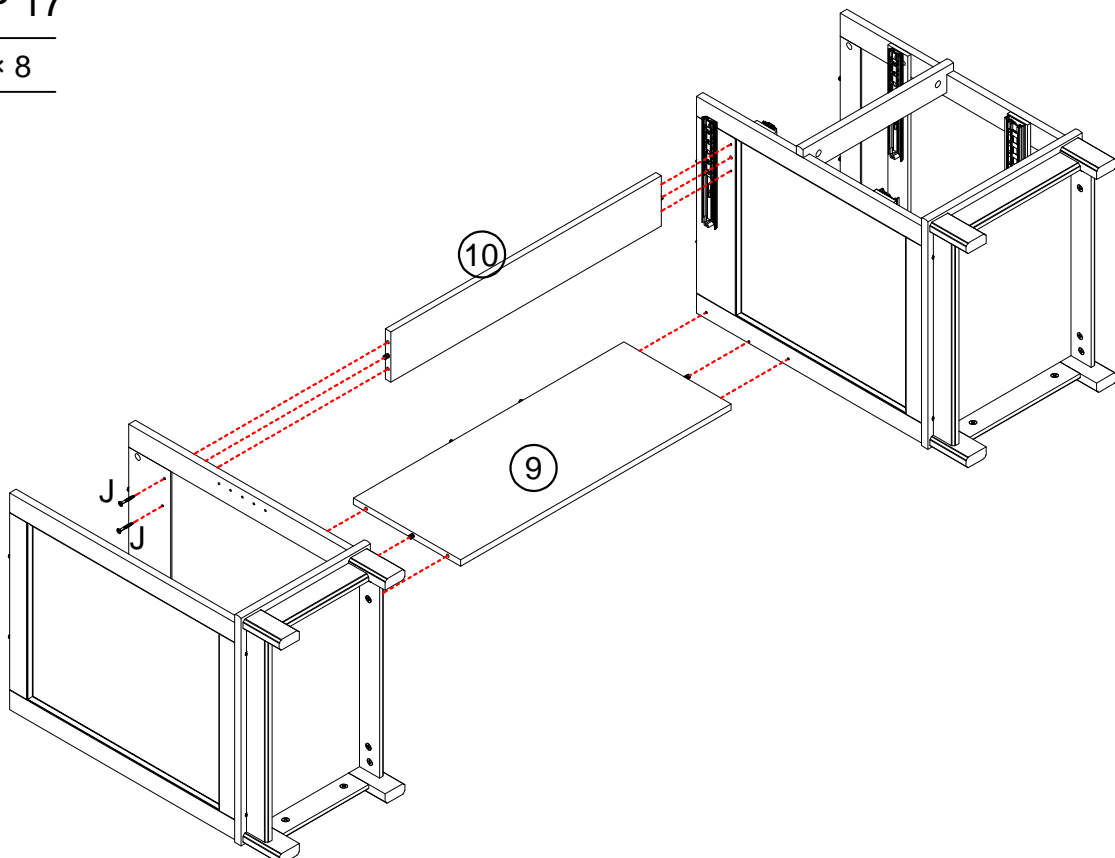


STEP 15

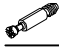
 A×6

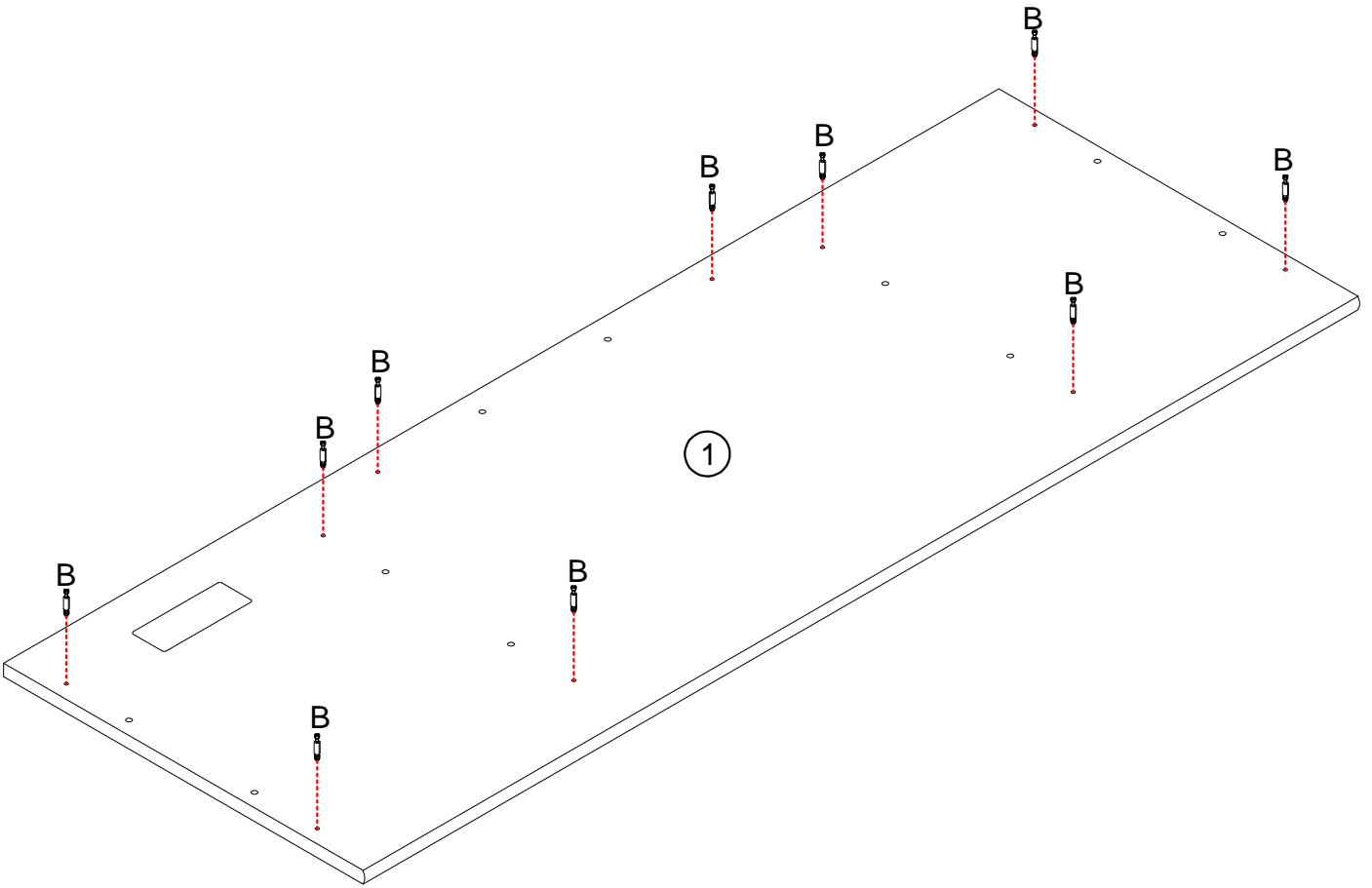


STEP 16 C x 6


STEP 17 J x 8

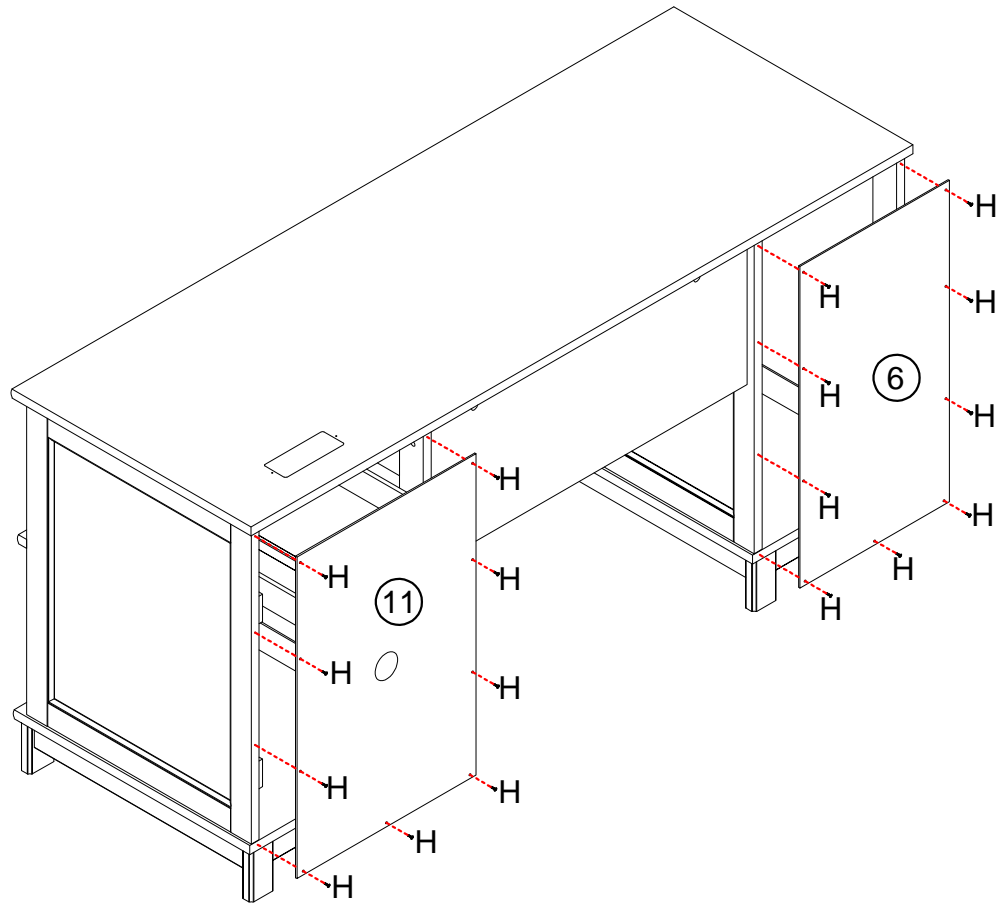
STEP 18

 B x 10





STEP 20

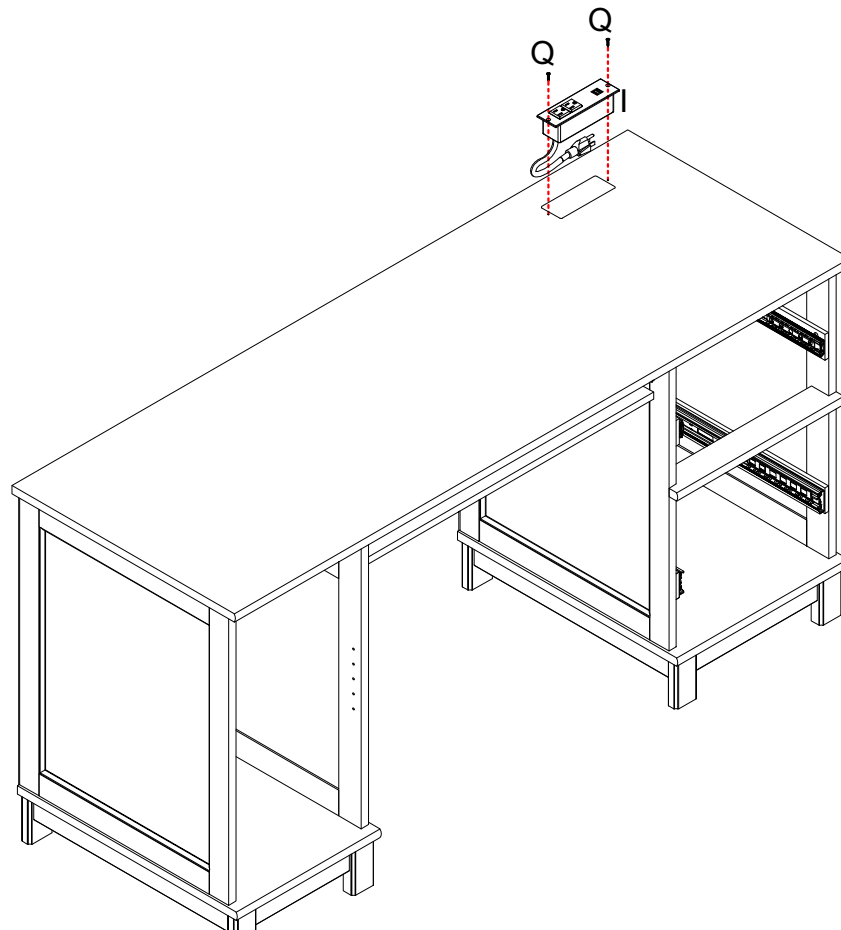
 H× 18



STEP 21

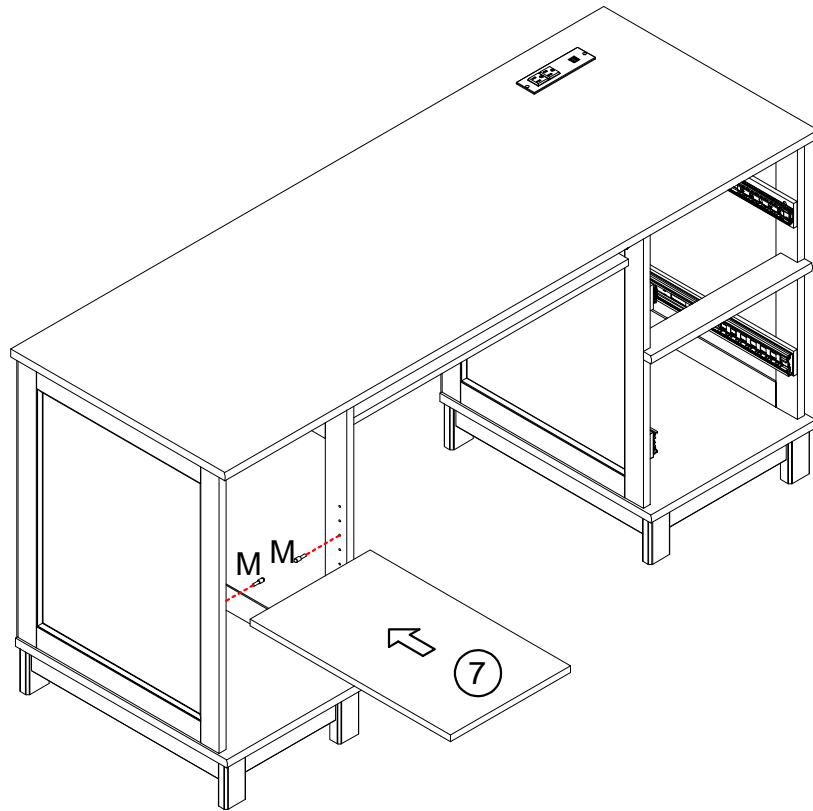
 I× 1

 Q× 2



STEP 22

 M×4



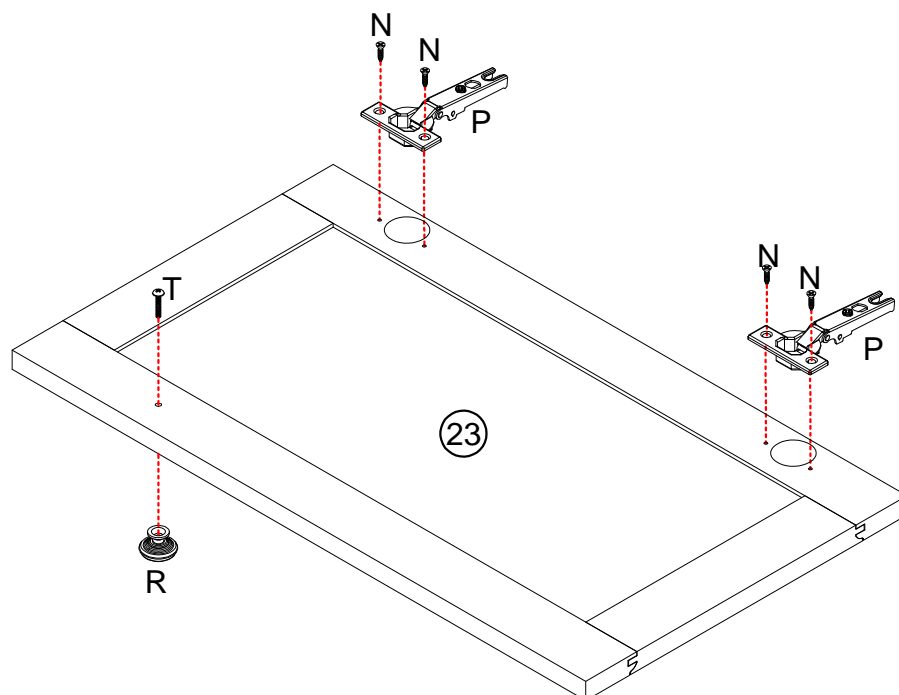
STEP 23

 P×2

 N×4

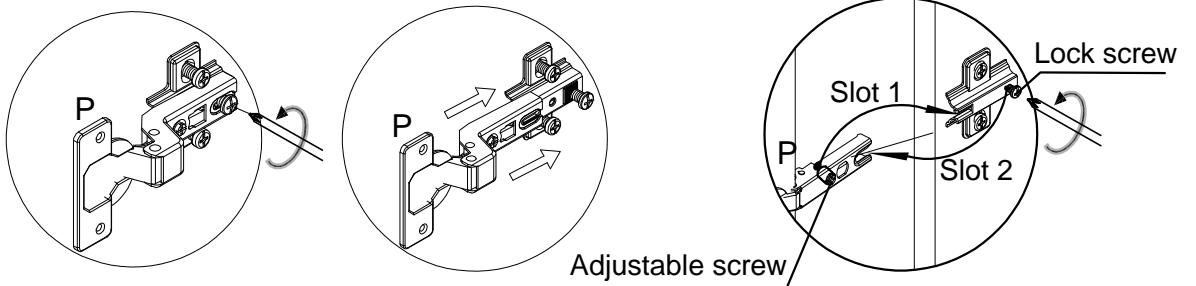
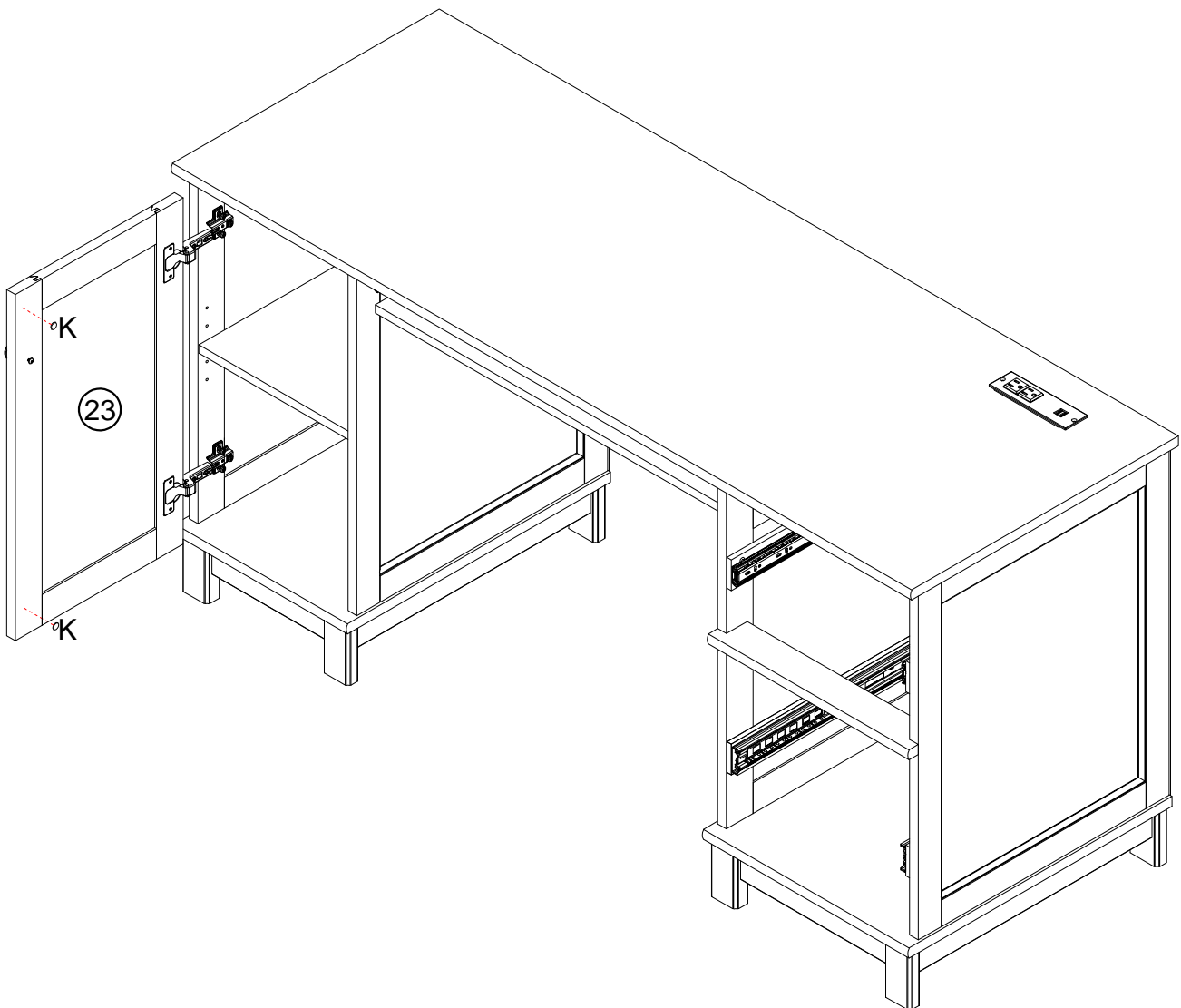
 R×1

 T×1



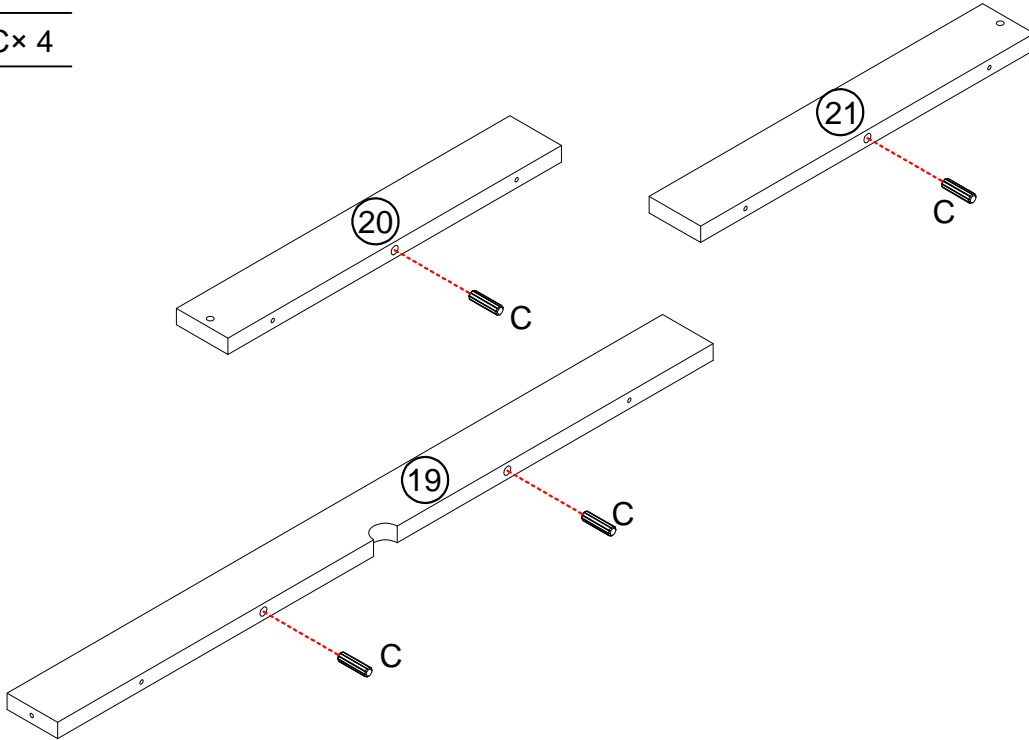
STEP 24

 K x 1



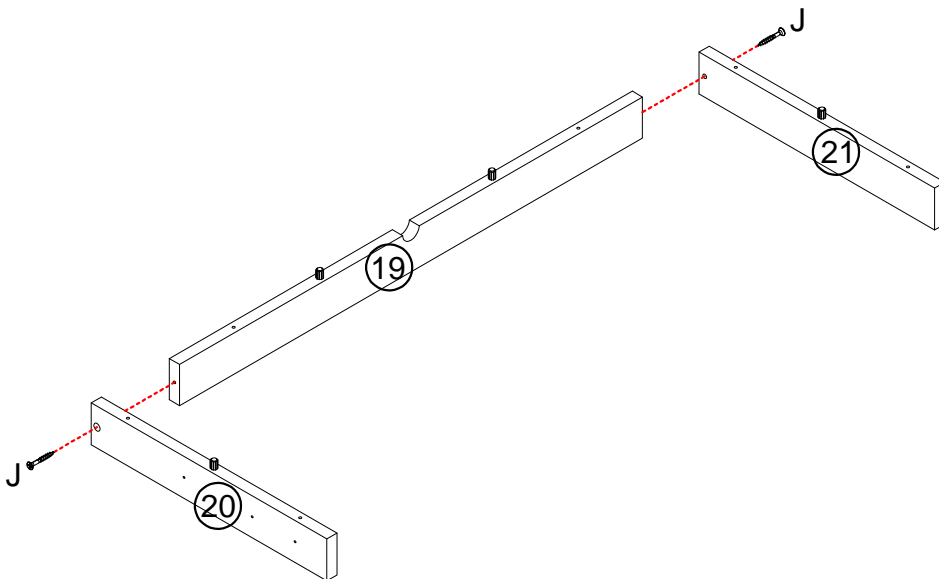
STEP 25

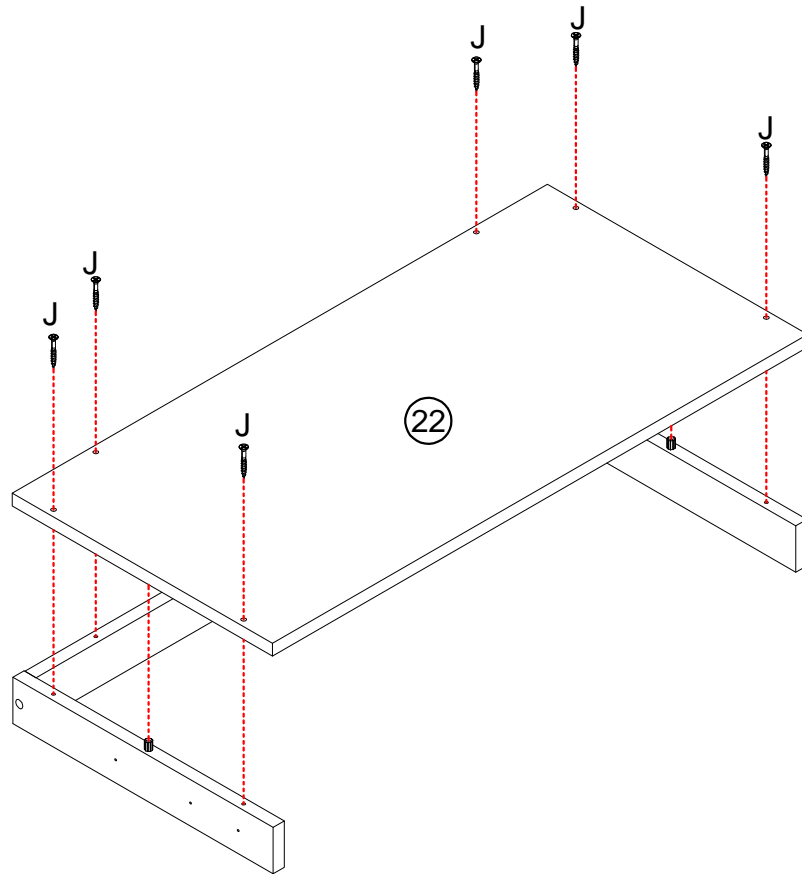
 C x 4

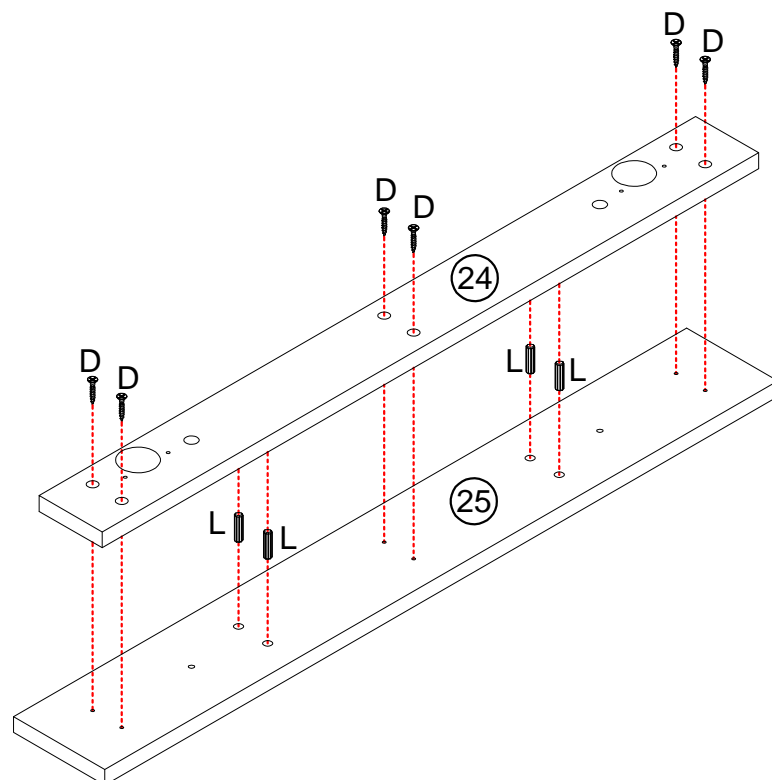


STEP 26

 J x 2




STEP 27 J x 6

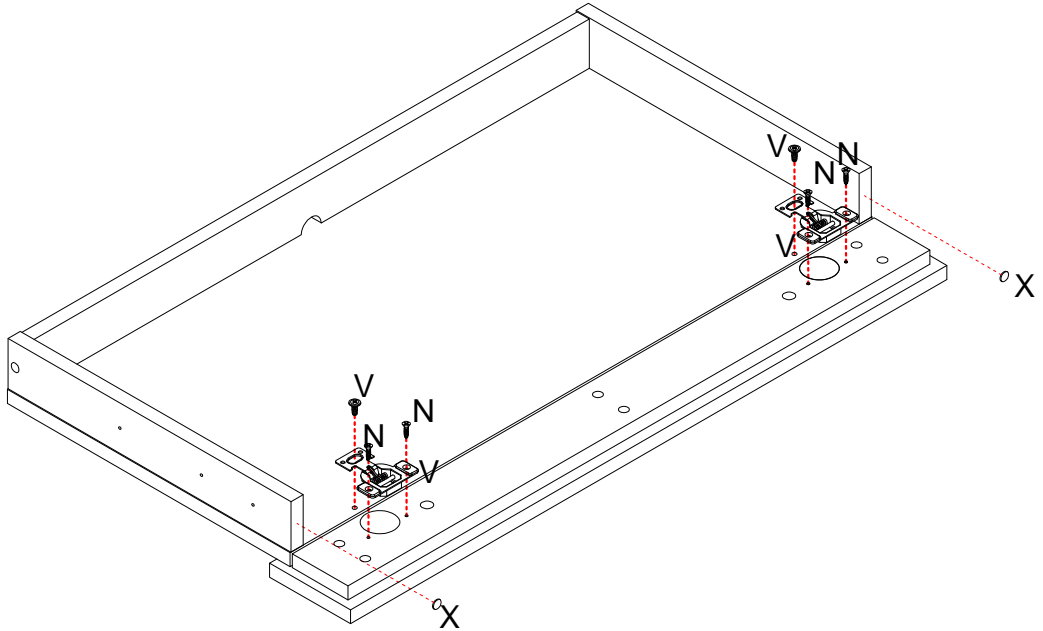
STEP 28 D x 6 L x 4

STEP 29


 N× 4

 X× 1

 V× 2



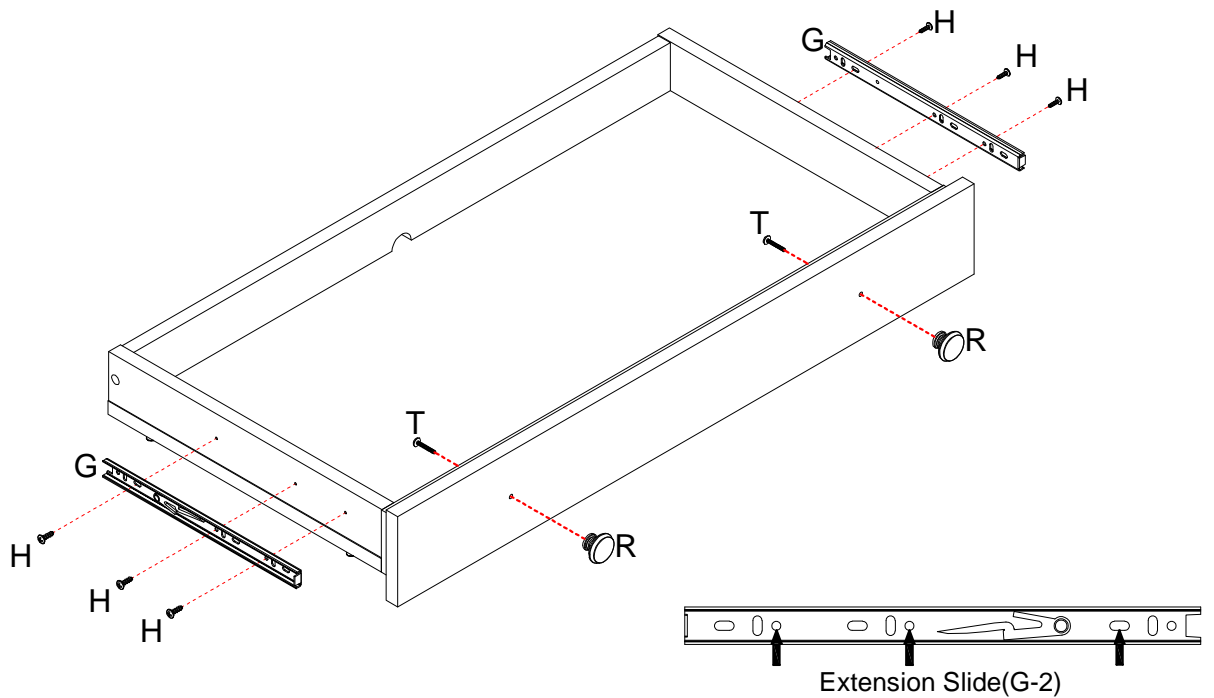
STEP 30

 H× 6

 G× 2

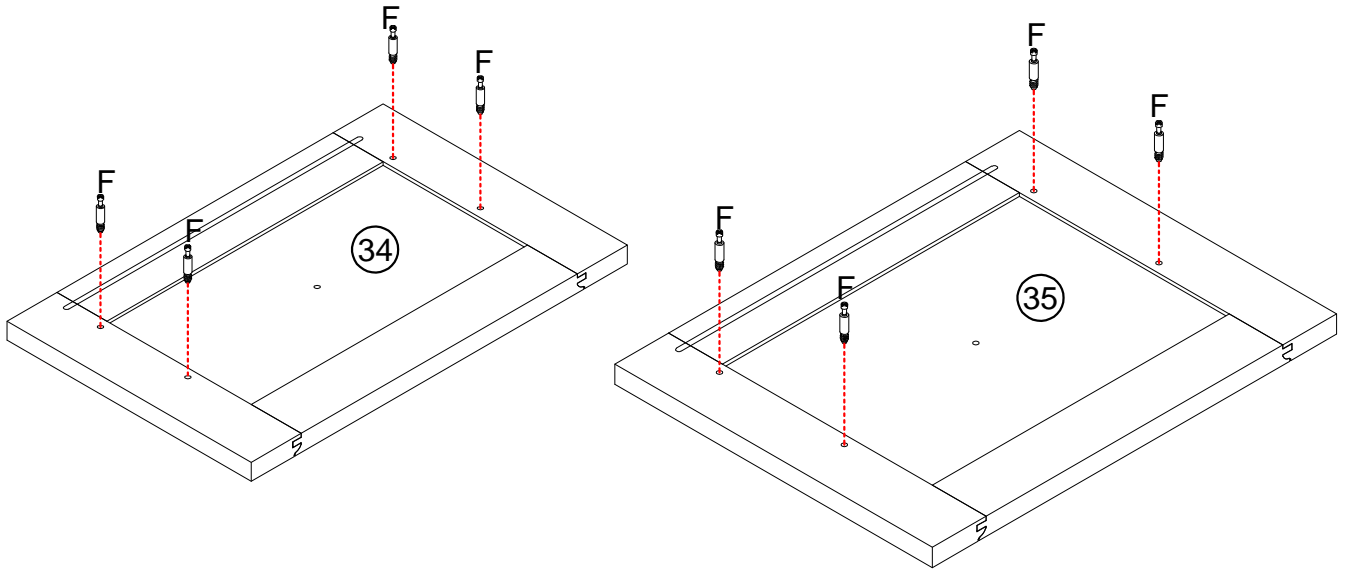
 R× 2

 T× 2




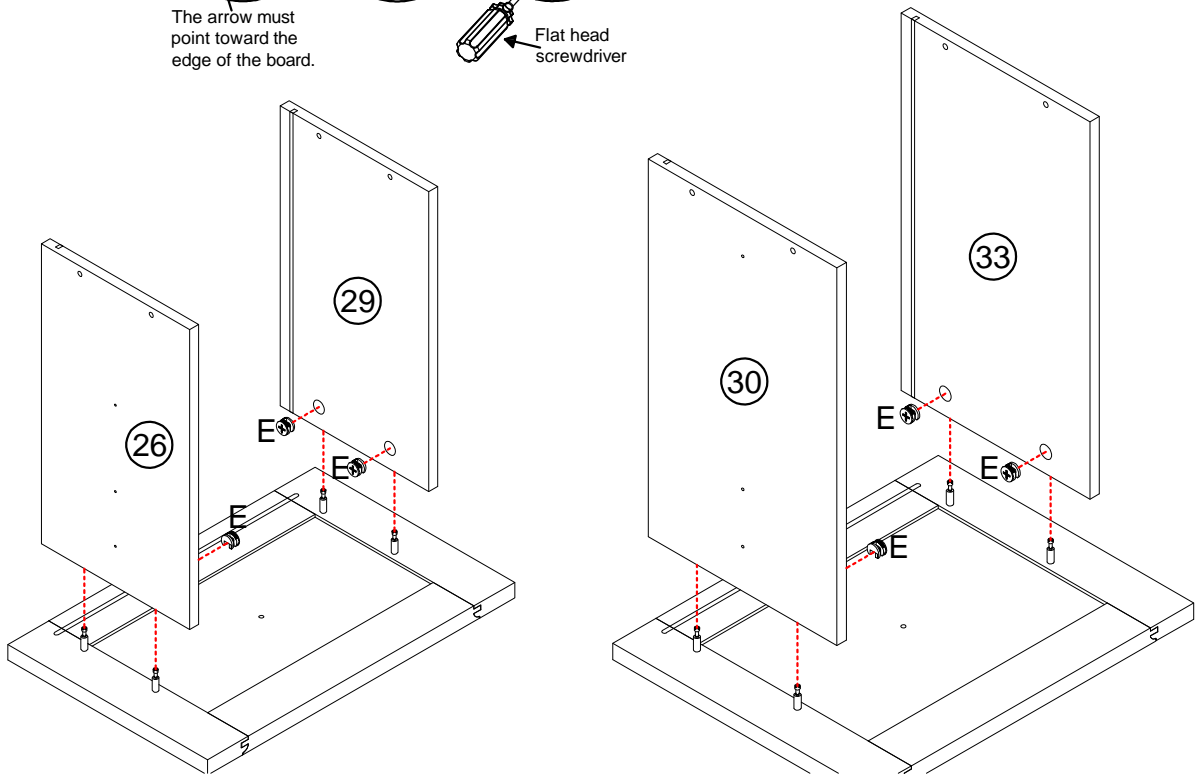
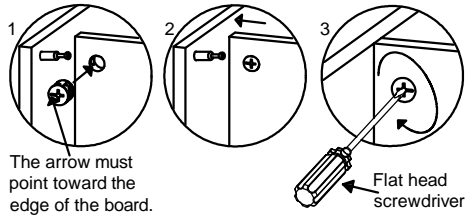
STEP 31

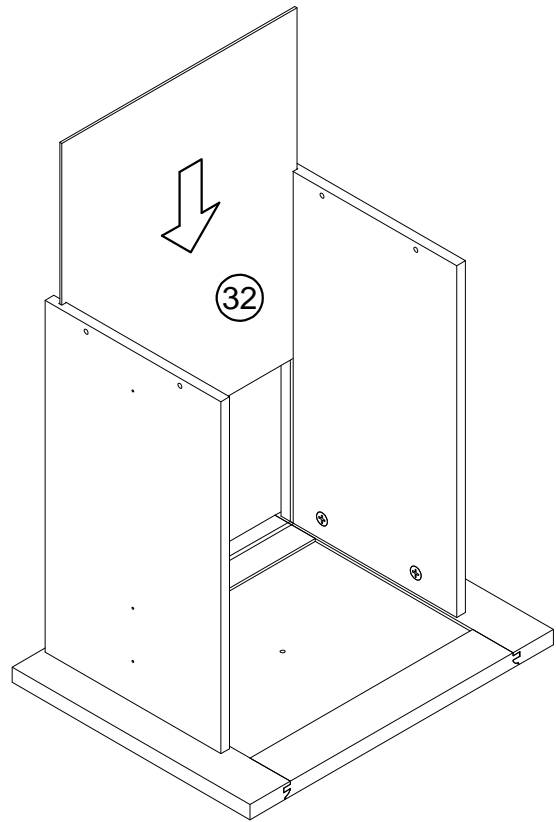
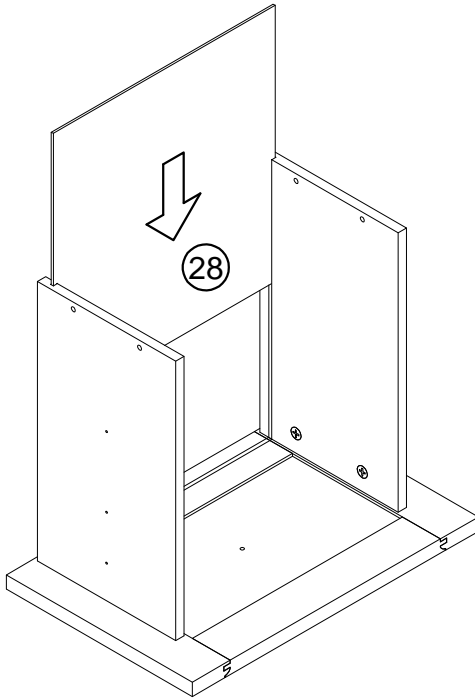
 F x 8




STEP 32

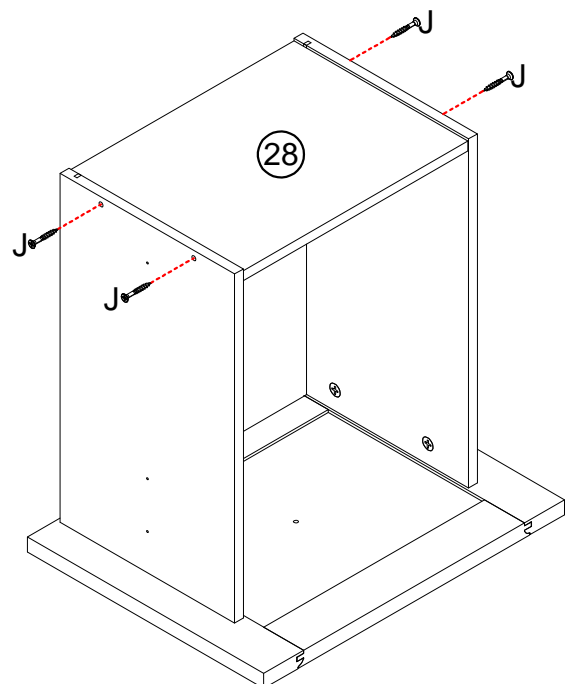
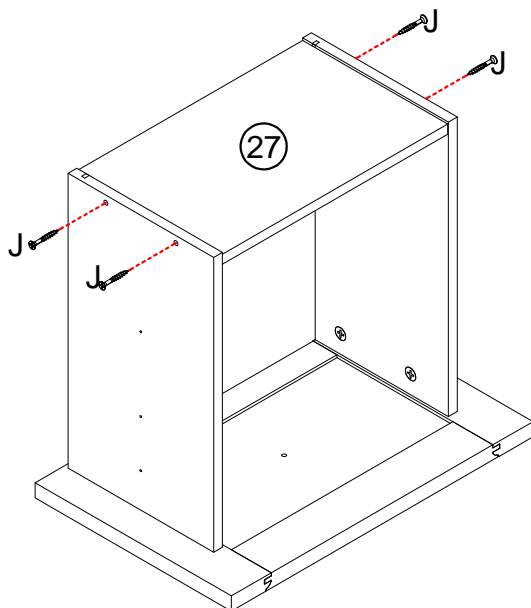
 E x 8




STEP 33

STEP 34

 J x 8




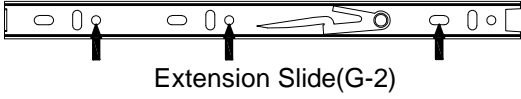
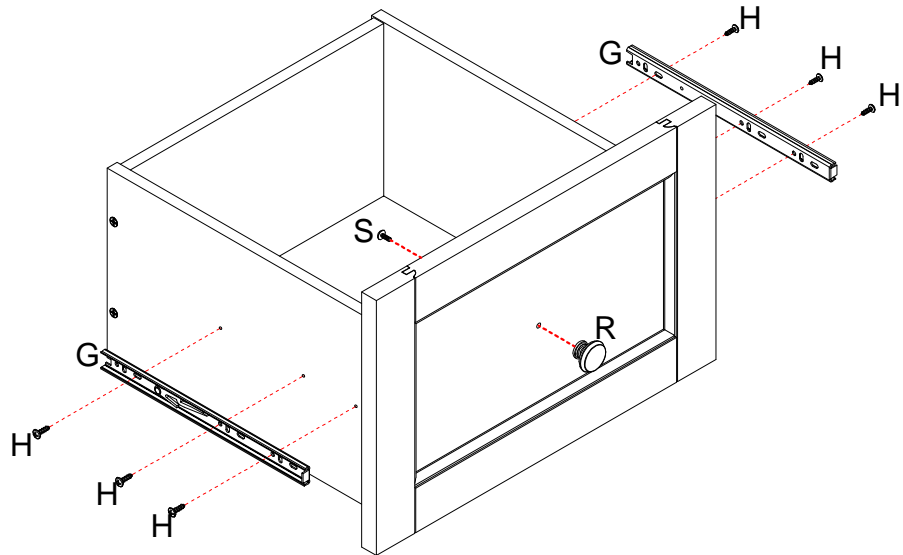
STEP 35

 H× 6


 G× 2

 R× 1

 S× 1




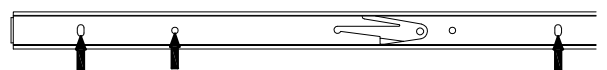
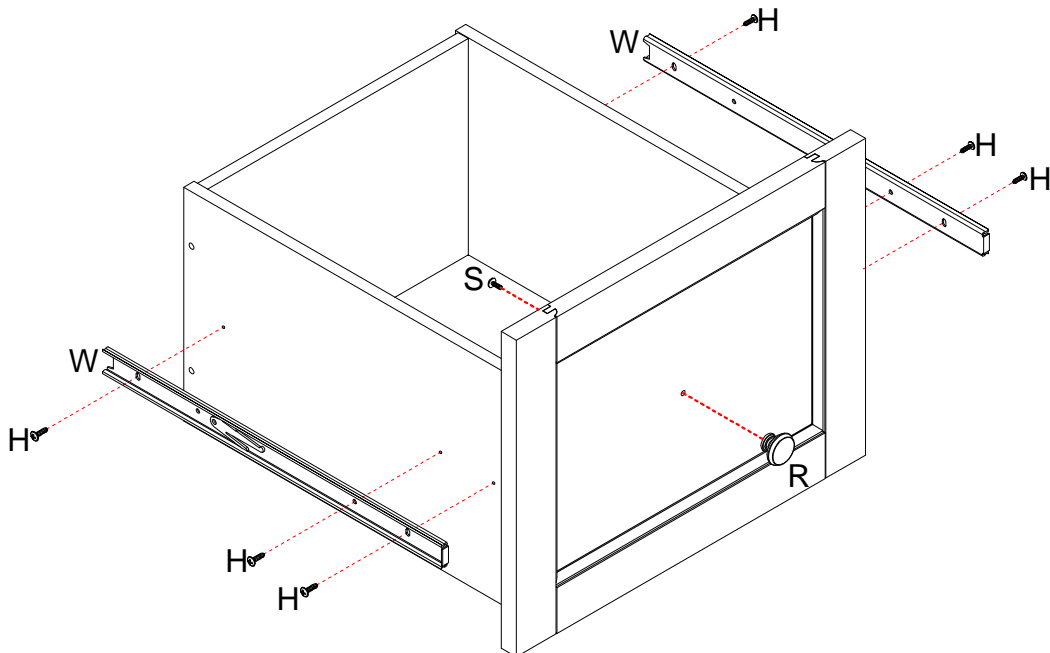
STEP 36

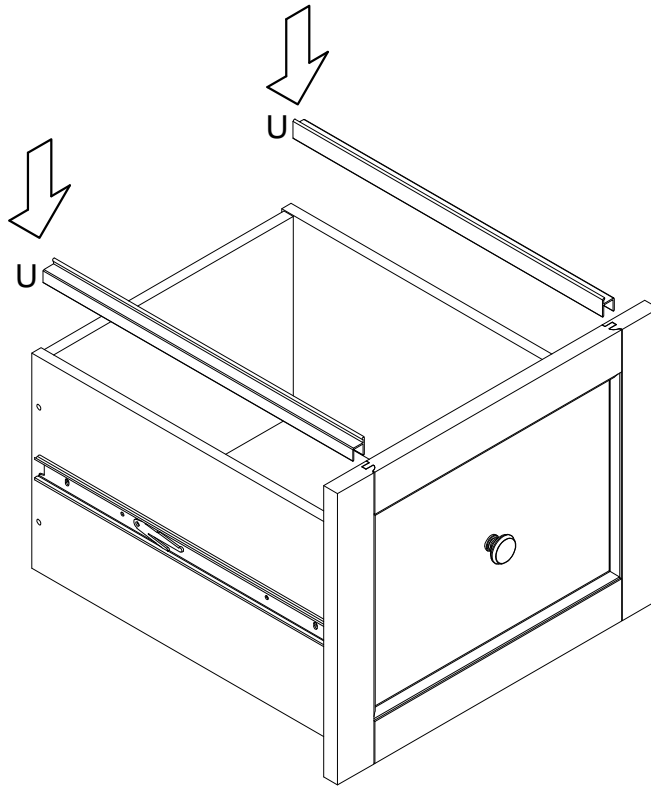
 H× 6

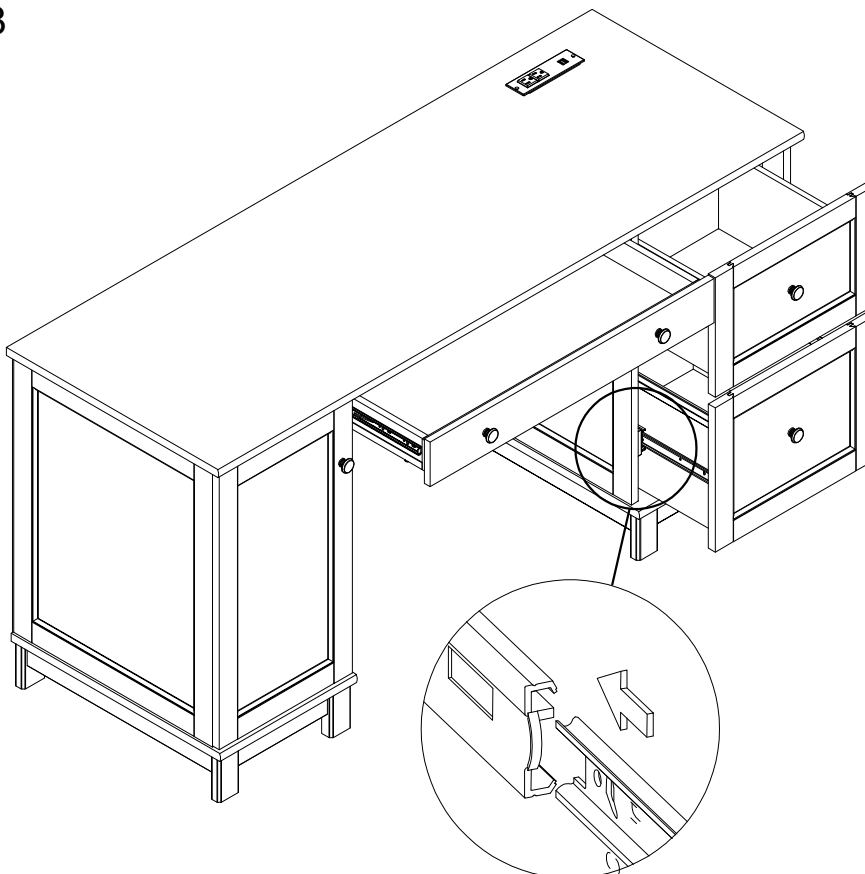
 W× 2

 R× 1

 S× 1



STEP 37 U x 2

STEP 38

STEP 39

