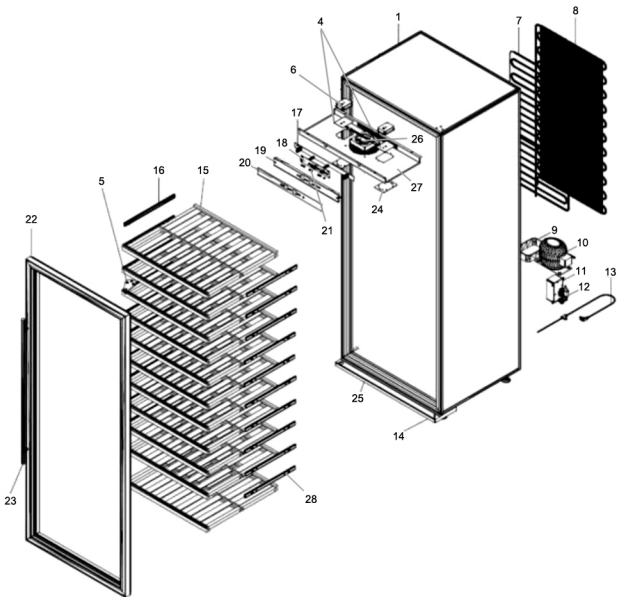


Parts Diagram for Allavino YHWR305



- | | | | |
|-----------------------|--------------|-----------------------|----------------|
| 1. Cabinet | | 15. Wood Shelf | (Y-SHELF3) |
| 2. Temperature Sensor | (Y-SENSOR3) | 16. Left Shelf Guide | (Y-SGLIDE) |
| 3. Door Seal | (Y-DSEAL2) | 17. Control Panel Box | (Y-PCBCOVER) |
| 4. Light PCB | (Y-LPCB) | 18. Control Panel | (Y-SZPCB2) |
| 5. Upper Hinge | (Y-HINGE-U) | 19. Control Panel Box | (Y-CPCBOX) |
| 6. Light Box | | 20. Display Sticker | (Y-CPNP3) |
| 7. Evaporator | (Y-EVAP3) | 21. Button | (Y-BUTTON) |
| 8. Condenser | (Y-COND2) | 22. Glass Door | (Y-DOOR) |
| 9. Water Tank | (Y-WTRAY) | 23. Handle | |
| 10. Compressor | (Y-COMP) | 24. Light Cover | (Y-LIGHTCOVER) |
| 11. Main Board Box | (Y-PPCBBBOX) | 25. Base Board | (Y-BASE) |
| 12. Main Board | (Y-PPCB2) | 26. Fan | (Y-FAN) |
| 13. Power Cord | (Y-CORD) | 27. Ventilation Board | (Y-VENTB) |
| 14. Lower Hinge | (Y-DH2) | 28. Right Shelf Guide | (Y-GLIDE-R3) |