

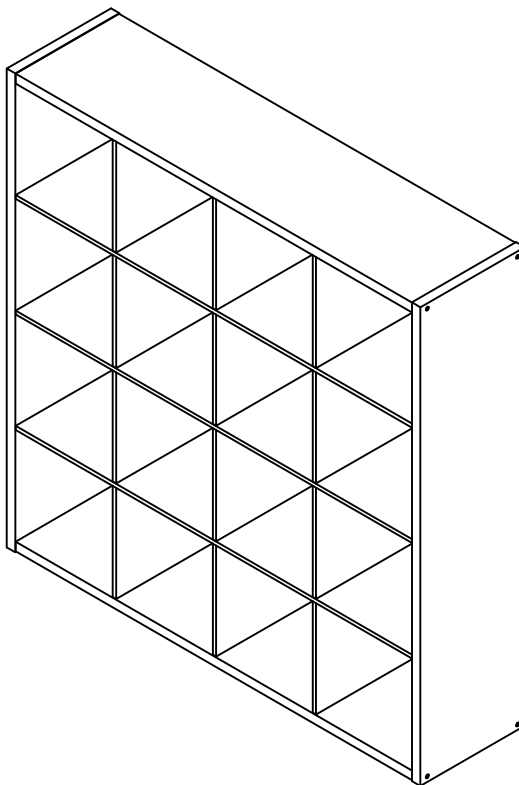
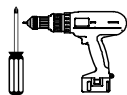
# Installation & Assembly

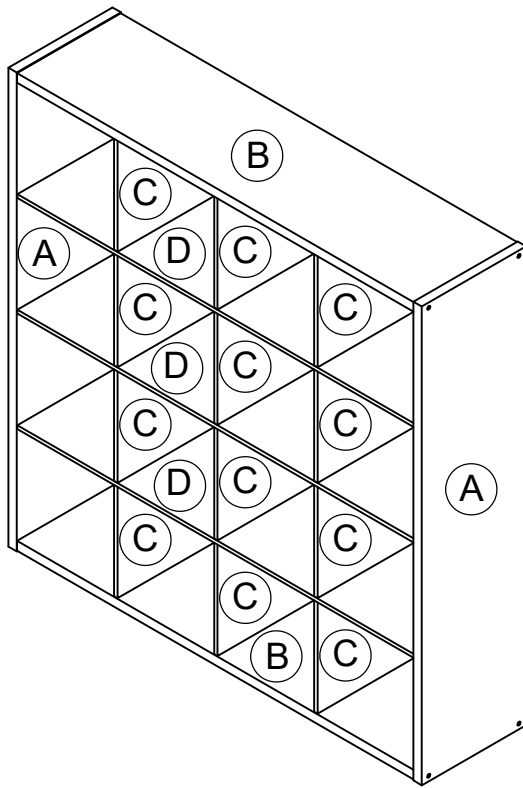


00:30

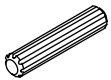


x 1





**1** x 42



6 x 40mm

**2** x 8



7 x 84mm

**3** x 2



**4** x 2



5 x 16mm

**5** x 2

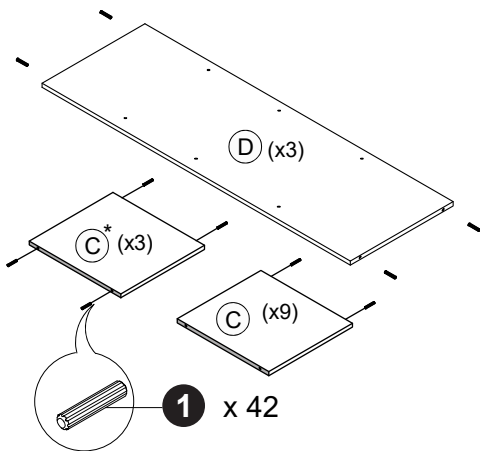


5 x 38mm

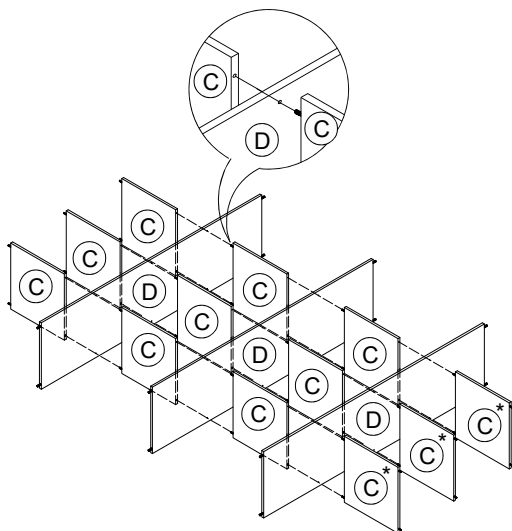
**6** x 1



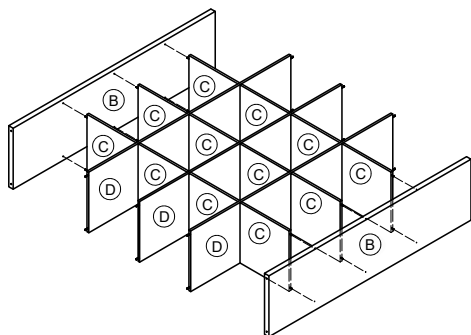
1



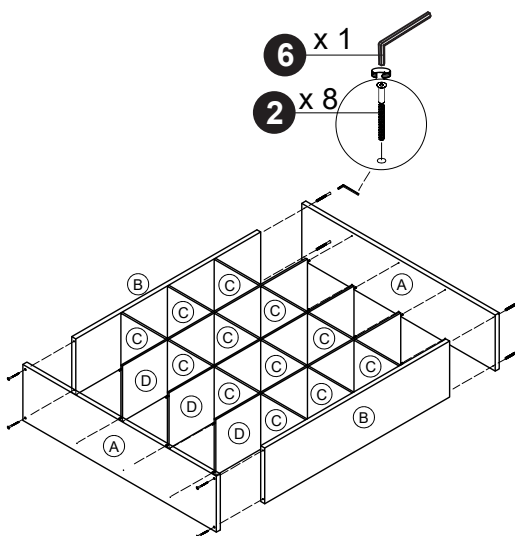
2



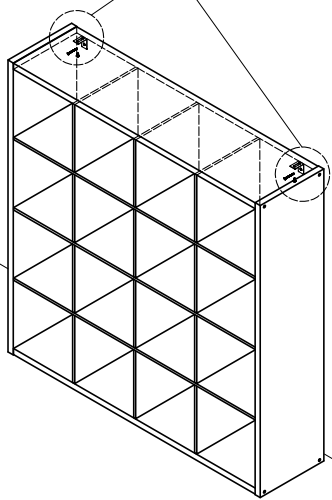
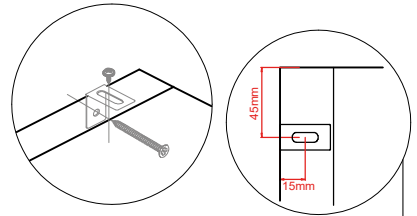
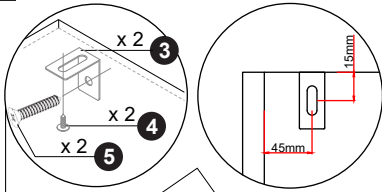
3



4



**5**



OR

