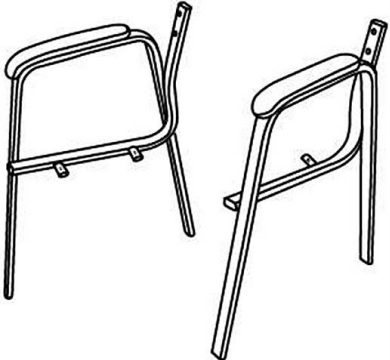
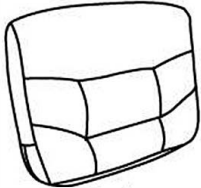
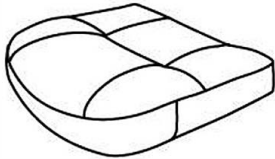


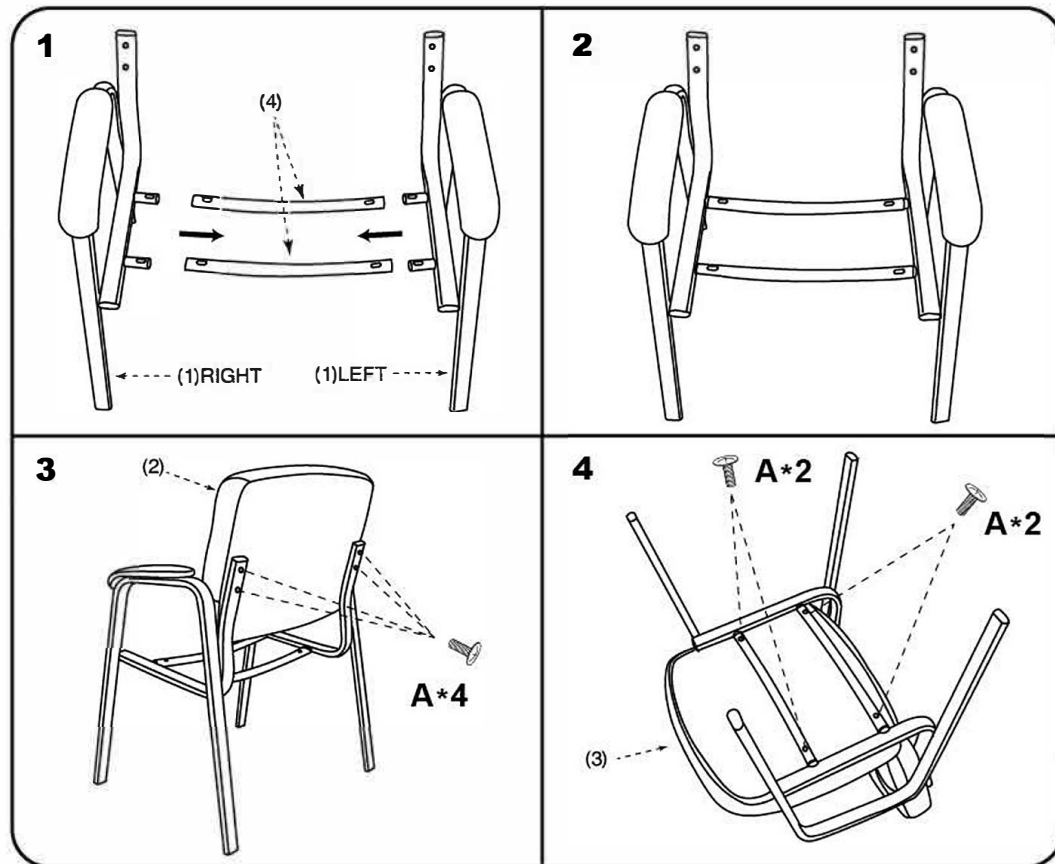


(1)X1 (L)X1 (R)	(2)x1
	
	
	
<p>(A)*8  M6*36 BACK BAR SCREW</p>	



Insert and loosely tighten all screws. When assembly is completed, fully tighten all screws before using. This chair is only intended for sitting. Any other use will void the warranty.

