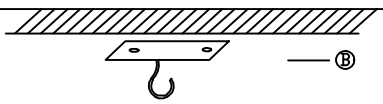
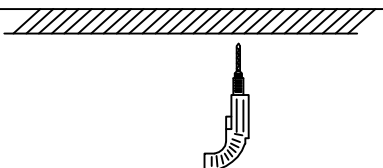


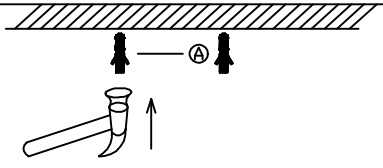
6L Installation diagram



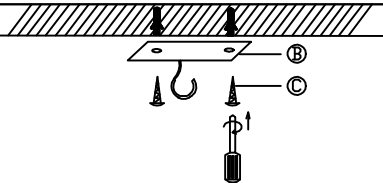
Step 1: Take the hole position of hanging plate as reference, fix the hole position on the ceiling, suggest to use pen to draw good position.



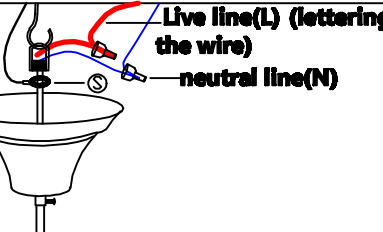
Step 2: use the ϕ 6 mm drill two holes on the ceiling, according to the drawing before a good location



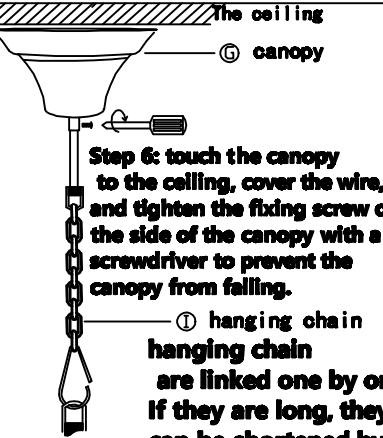
Step 3: hammer **A** Colloidal particles into the hole that has been drilled.



Step 4: screw the screwdriver, rotate **C** the tapping screw, and fix **B** mounting anchor to the ceiling with the self-tapping screw.

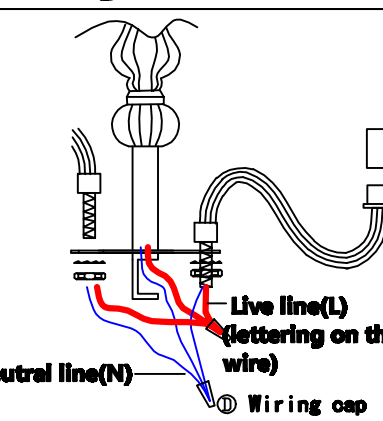


Step 5: put the hanging pole **H** through the canopy **G**, twist The suspension loop **E** on the hanging pole **H**, and hang The suspension loop **E** on the mounting anchor, **B**, and then connect the two main lines of the lamp body to the two power lines on the ceiling respectively. Be careful not to connect wrong, there is a word line is live line, there is earth wire

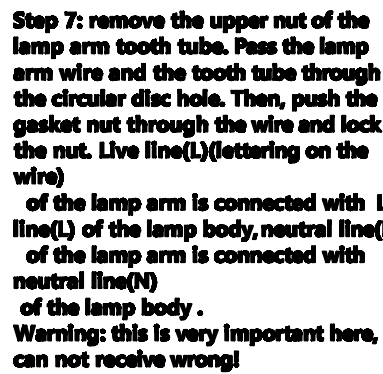


Step 6: touch the canopy to the ceiling, cover the wire, and tighten the fixing screw on the side of the canopy with a screwdriver to prevent the canopy from falling.

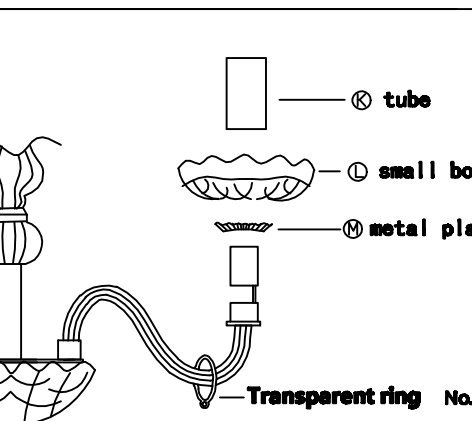
Step 7: touching chain hanging chain are linked one by one. If they are long, they can be shortened by removing a few rings. Note that the spring buckle is securely fastened to the lamp body hanger ring



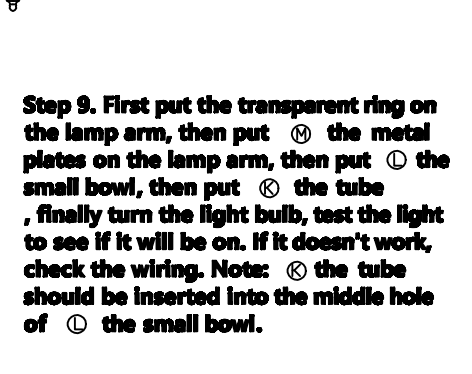
Step 7: remove the upper nut of the lamp arm tooth tube. Pass the lamp arm wire and the tooth tube through the circular disc hole. Then, push the gasket nut through the wire and lock the nut. Live line(L) (lettering on the wire) of the lamp arm is connected with Live line(L) of the lamp body, neutral line(N) of the lamp arm is connected with neutral line(N) of the lamp body .
Warning: this is very important here, can not receive wrong!



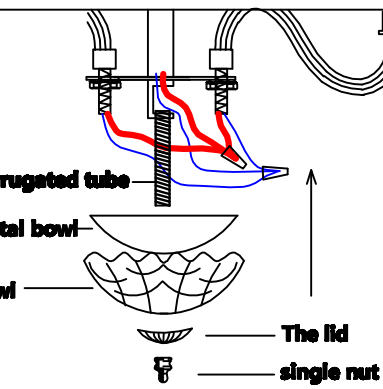
Step 8: after connecting the wire, tighten the corrugated tube, and fix the metal bowl, bowl and lid use single nut in order



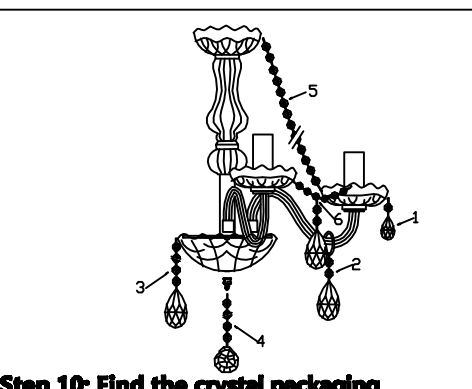
Step 9: First put the transparent ring on the lamp arm, then put **M** the metal plates on the lamp arm, then put **L** the small bowl, then put **K** the tube, finally turn the light bulb, test the light to see if it will be on. If it doesn't work, check the wiring. Note: **K** the tube should be inserted into the middle hole of **L** the small bowl.



Step 10: Find the crystal packaging according to the beaded schematic and hang the crystal pendant to the corresponding position of the lamp body according to the number on the bag.

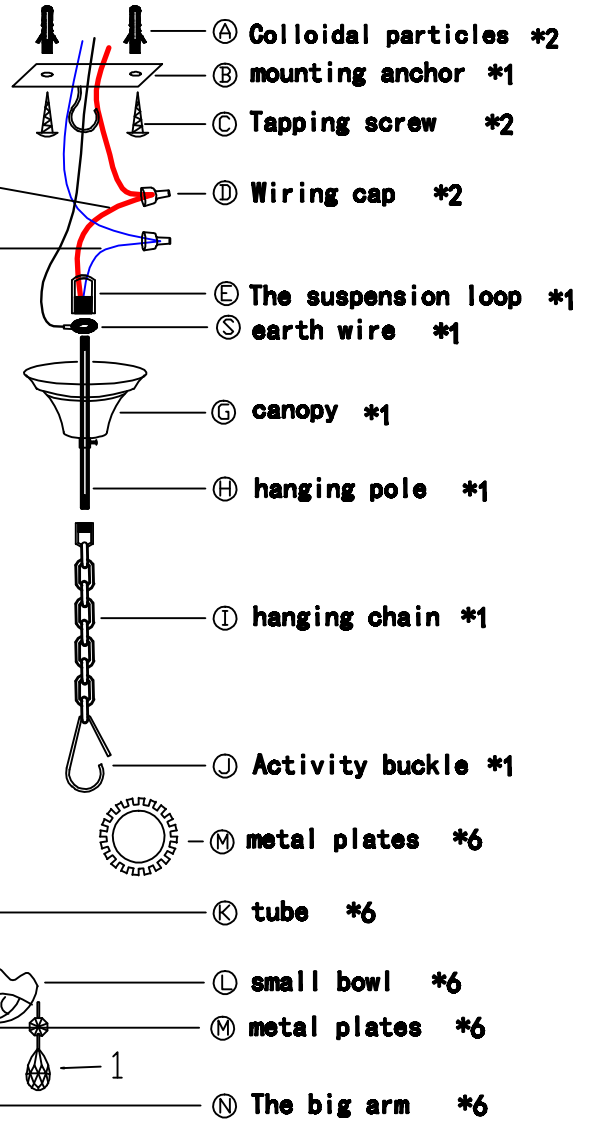


Step 10: Find the crystal packaging according to the beaded schematic and hang the crystal pendant to the corresponding position of the lamp body according to the number on the bag.



Step 10: Find the crystal packaging according to the beaded schematic and hang the crystal pendant to the corresponding position of the lamp body according to the number on the bag.

Accessories package:



Live line(L) (lettering on the wire)
neutral line(N)

Live line(L) (lettering on the wire)
neutral line(N)

- Ⓓ Large bowl *1
- Ⓔ single nut *1

The crystal package:

- No.1 *24 pcs small hang No.1 to Ⓛ
- No.2 *6 pcs hang No.2 to Ⓝ
- No.3 *6 pcs hang No.3 to Ⓓ
- No.4 *1 pcs hang No.4 to Ⓔ
- No.5 *6 pcs Between Ⓕ and Ⓛ
- No.6 *6 pcs hang No.6 to Ⓛ
(Hang it on two small bowl between)

All wires must be assembled by licensed electricians.
Refer to the drawing on the next page for detailed steps