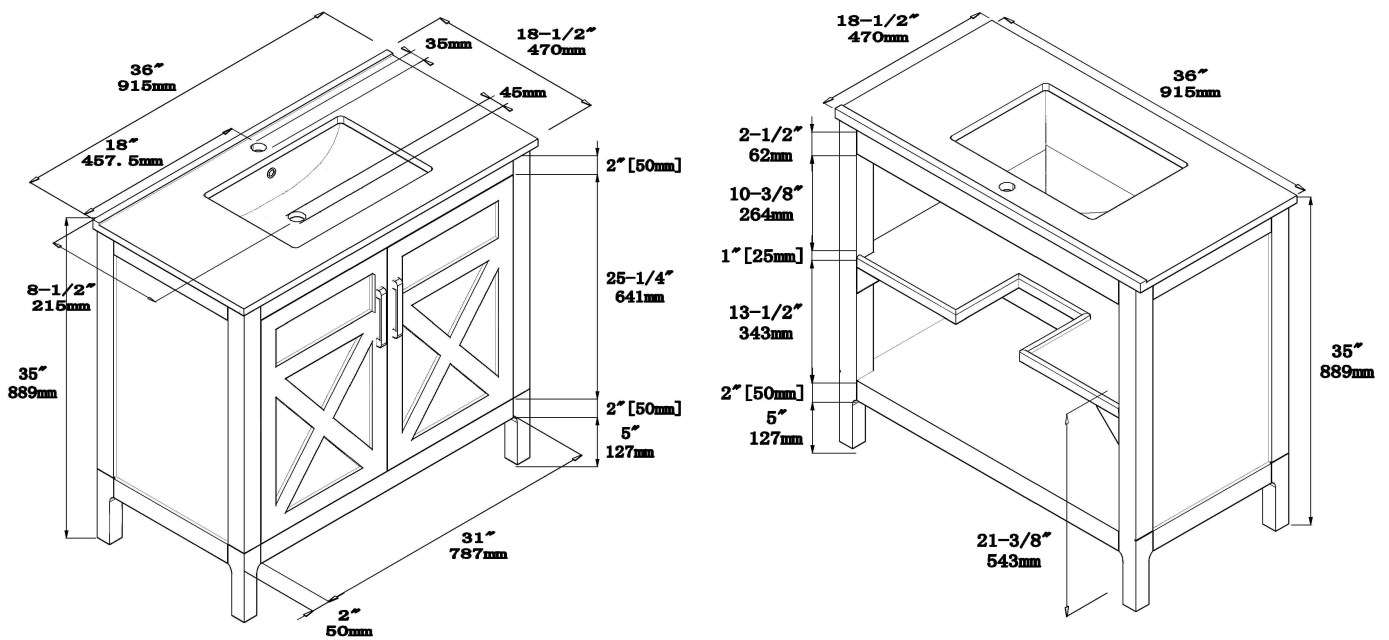
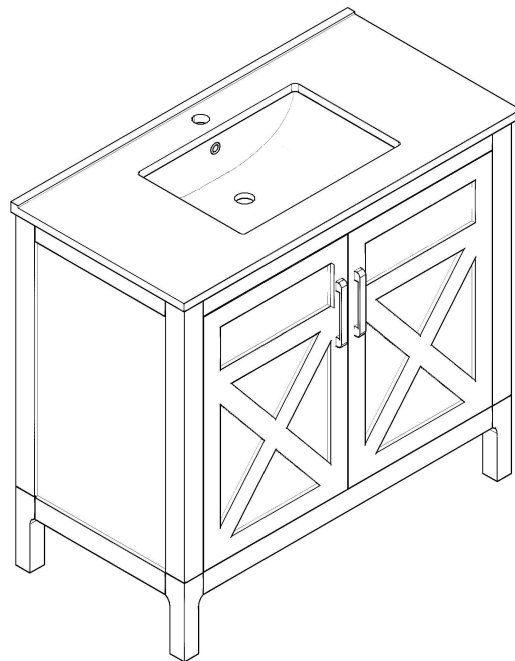


Applied Item

CS1907-36-01

CS1907-36-04

MANUAL GUIDE



PRE-ASSEMBLY

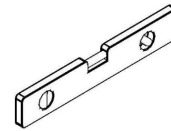
To ensure your installation goes smoothly, please read the following instructions carefully before your installation.

1. Removing your old vanity (if applicable). Turn off the electricity and water supply before you start. Then disconnect all lines to the sink and disconnect appliances.
2. Evening out walls and floor Flat, level surfaces are important. Unevenness can cause your vanity to become misaligned resulting in twisting of the cabinet. Repair any uneven areas by reducing high spots or shimming low spots.
3. Check all parts and review all tools (not included) make sure you have all prepared before your installation.

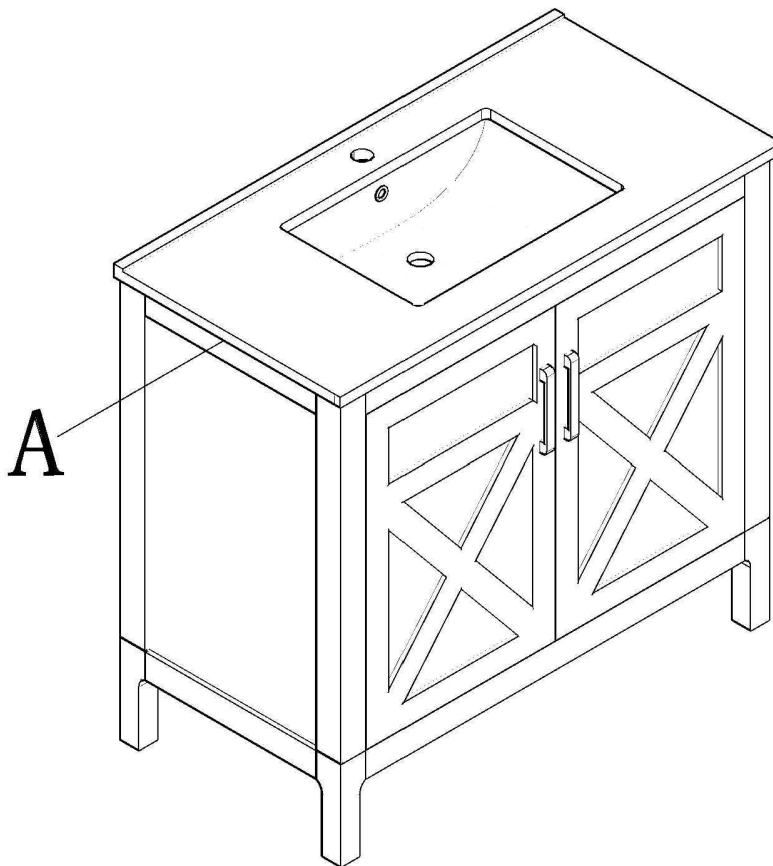
TOOLS REQUIRED (Not included)



Sealant



Level



| Part | Description | Quantity |
|------|------------------------|----------|
| A | Vanity with Countertop | 1 |

ASSEMBLTY

1. Position vanity

Place the vanity in the position.

Make sure the vanity top is flush against the wall.

Adjust the leg levelers so the vanity ensures its leveled.

Apply sanitary silicone sealant between vanity and wall.

Let it sit and dry for 24 hours.

