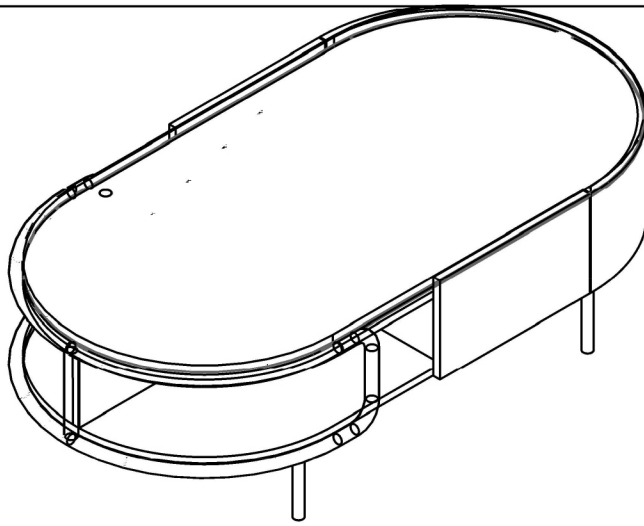


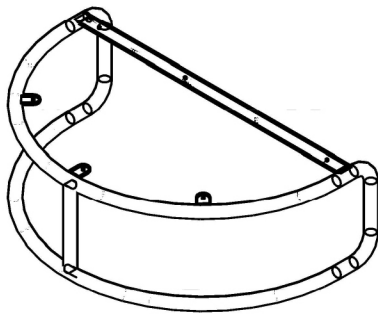
ASSEMBLY INSTRUCTION P2-1

PRODUCT PARTS ILLUSTRATION/QUANTITY

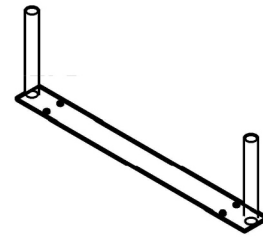


NO.	Icon	Quantity
A		$\Phi 6 \times 16 = 8$
B		8
C		$\Phi 3.5 \times 15 = 13$
D		1
E		8

① Hardware side frame x1



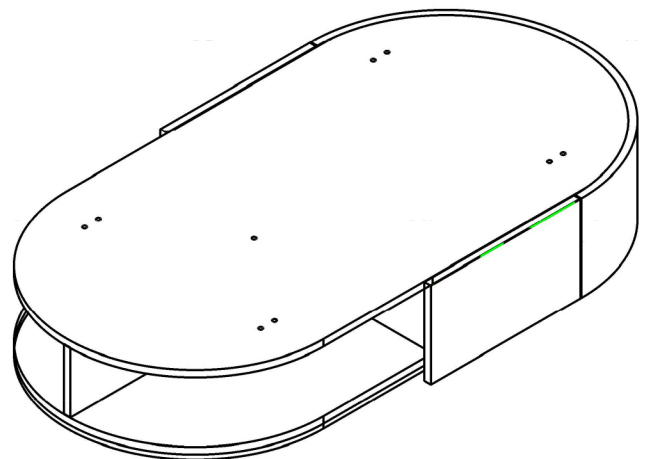
② Legs x2



③ Middle foot x1

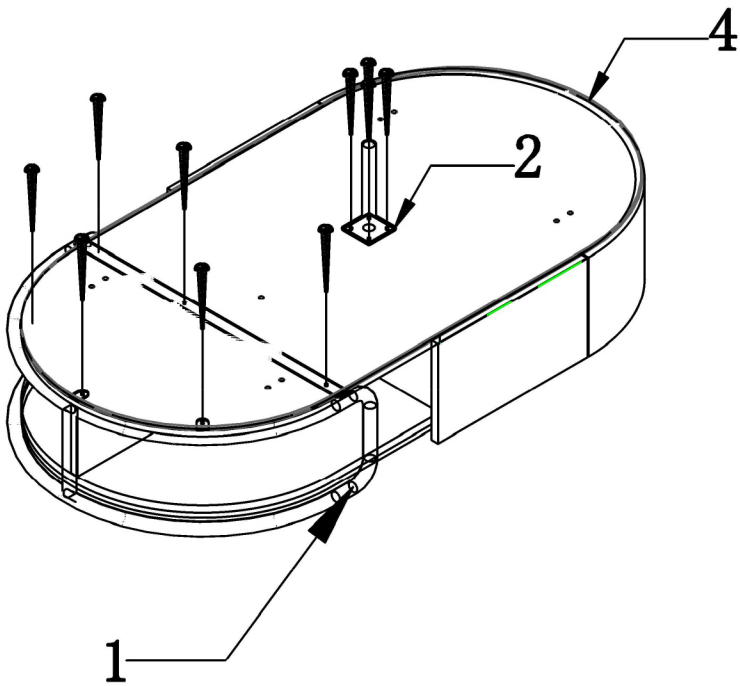


④ Cabinet x1

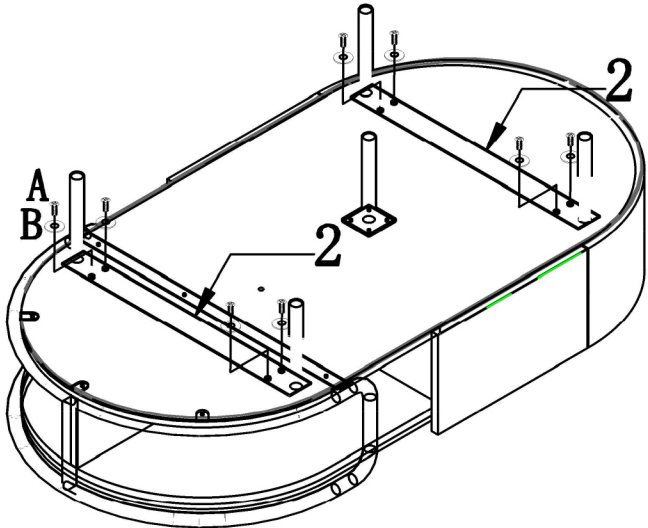






ASSEMBLY INSTRUCTION P2-2

Step 1: Mounting hardware side frames, center legs.



Step 2: Mounting foot.



C	13	B	8	A	8	E	8
							

Step 3: Installation completed.

