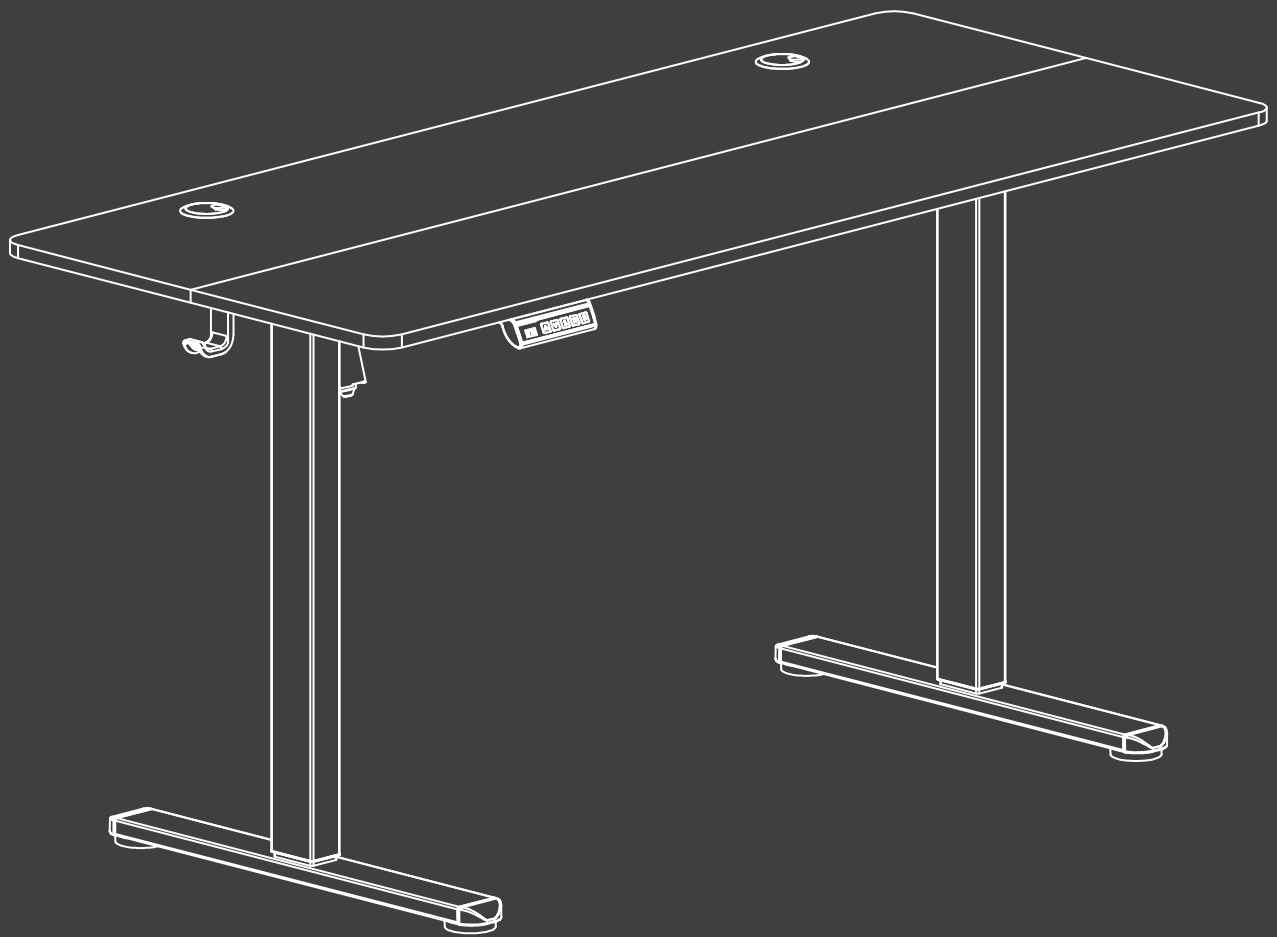


ELECTRIC STANDING DESK

Instruction Manual

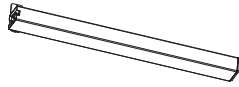


1 Component List



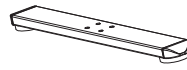
1 x1

Left Leg



2 x1

Right Leg



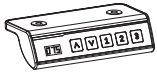
3 x2

Leg Base



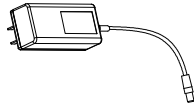
4 x1

Drive Rod



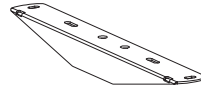
5 x1

Hand Controller



6 x1

Power Supply



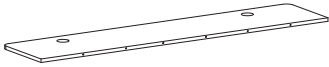
7 x2

Side Plate



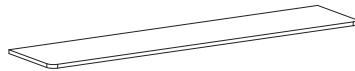
8 x1

Beam



9a x1

Board



9b x1

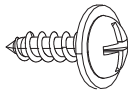
Board

2 Supplied Parts and Hardware



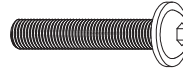
A x6

Screws
M6×8mm



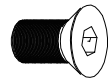
B x24

Screws
M5×15mm



C x8

Screws
M6×35mm



D x4

Screws
M8×15mm



2mm

E x1

Wrench



5mm

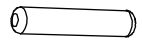
F x1

Wrench



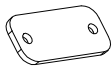
G x2

Cable Clip



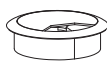
H x4

Wooden Pin



I x4

Desk
Connection Plate



J x2

Cable Hole Cover



K x2

Desk Connection Hook



L x1

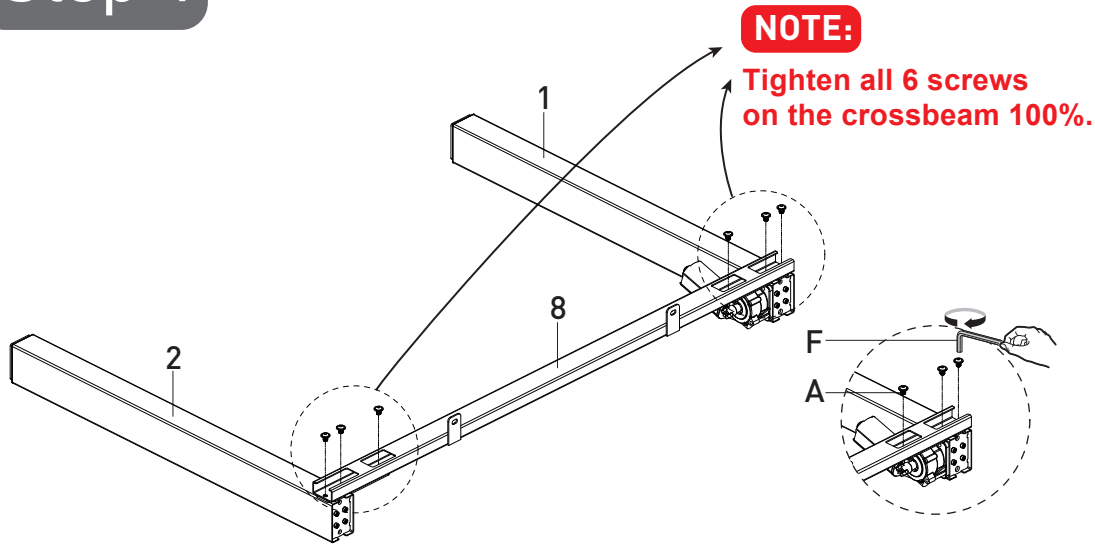
Screwdriver

Note: Ensure that all bolts are 100% locked.

Please read the installation instructions carefully before installation.

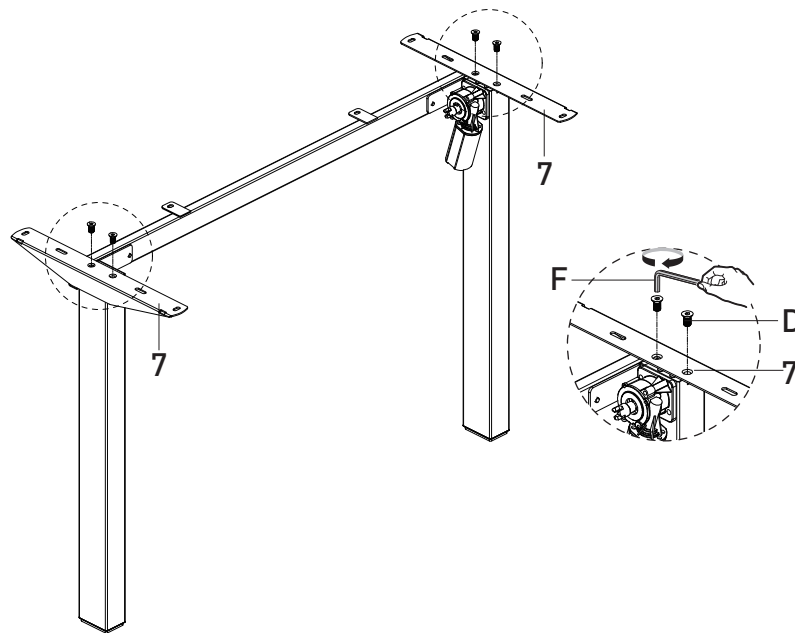
It is recommended to use a power tool to install the screws.
(Power tools are not included in product accessories)

Step 1



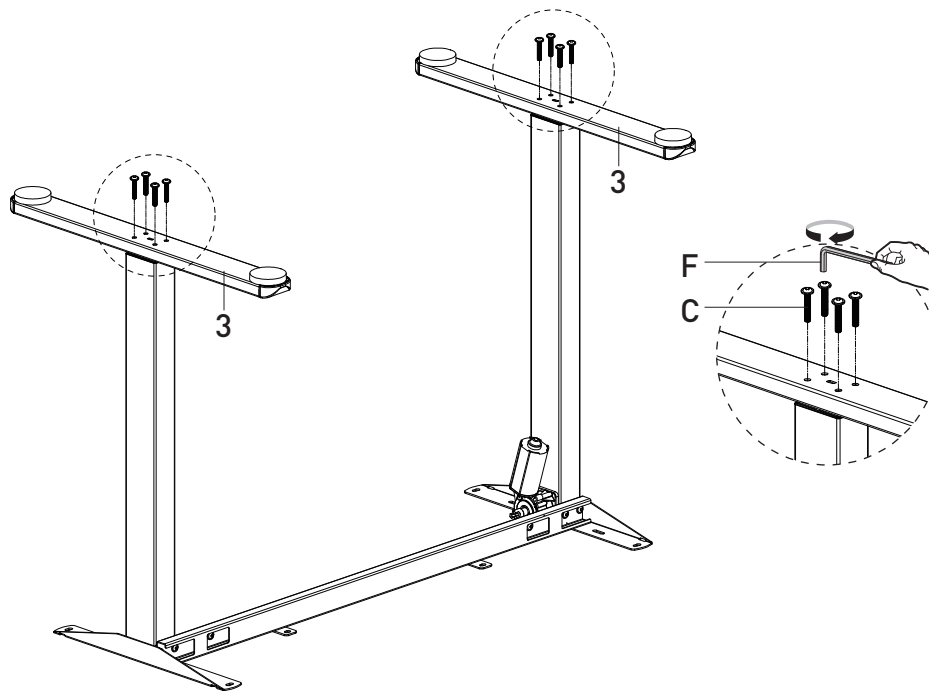
Use Wrench F, install Beam 8 to the Left Leg 1 and Right Leg 2 with Screws A*6.

Step 2



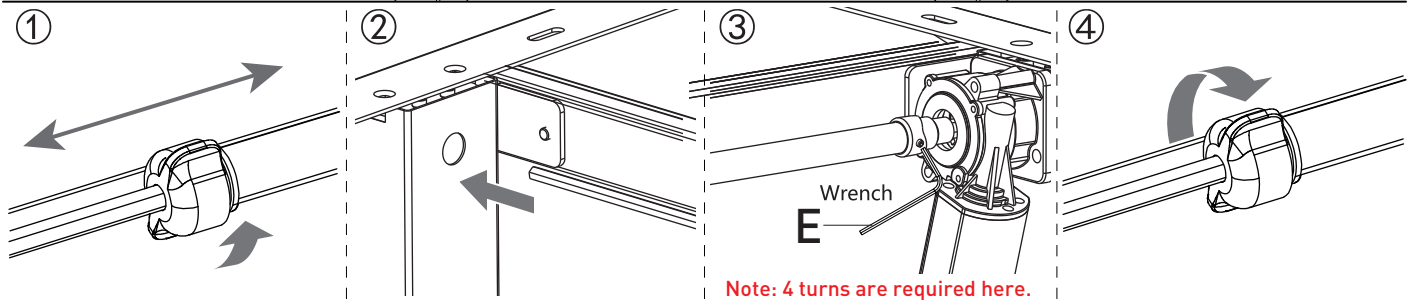
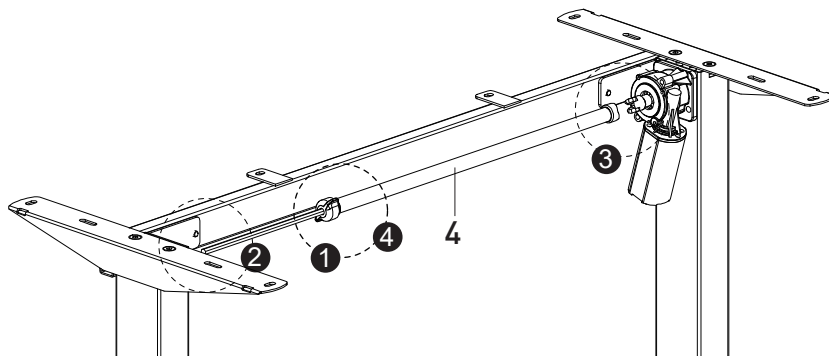
Use a Wrench F and use Screws D*4 to mount the
Side Plate 7*2 to Left Leg 1 and Right Leg 2 respectively.

Step 3



Using Wrench F, install Leg Base 3*2 to the Left Leg 1 and Right Leg 2 respectively with Screws C*8.

Step 4



Loosen the knob

Insert the drive rod into the hex hole and turn the transmission rod clockwise until the Right leg goes to the lowest position.

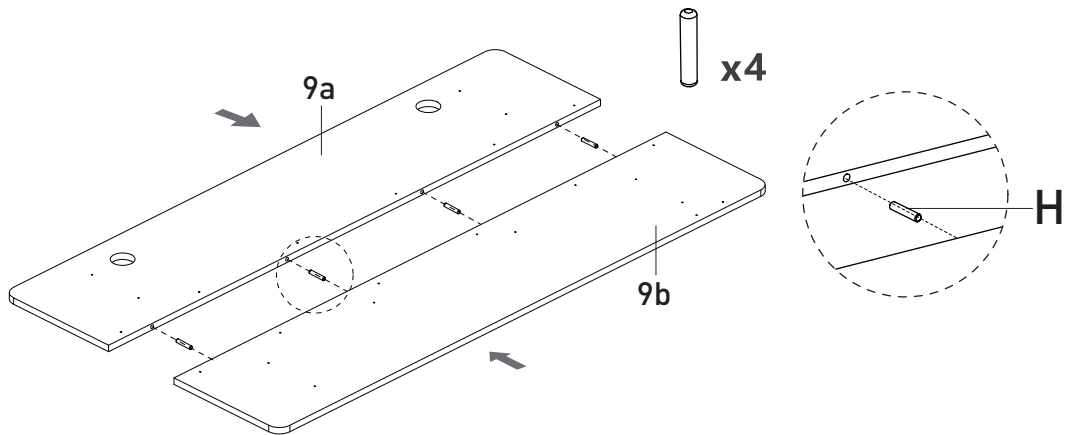
Insert the other end of transmission rod to the slot on the leg (You may rotate the rod slightly for better installation).

Tighten the knob

Use a small hex wrench to tighten the pre-installed set screws to secure the drive rod to the slot

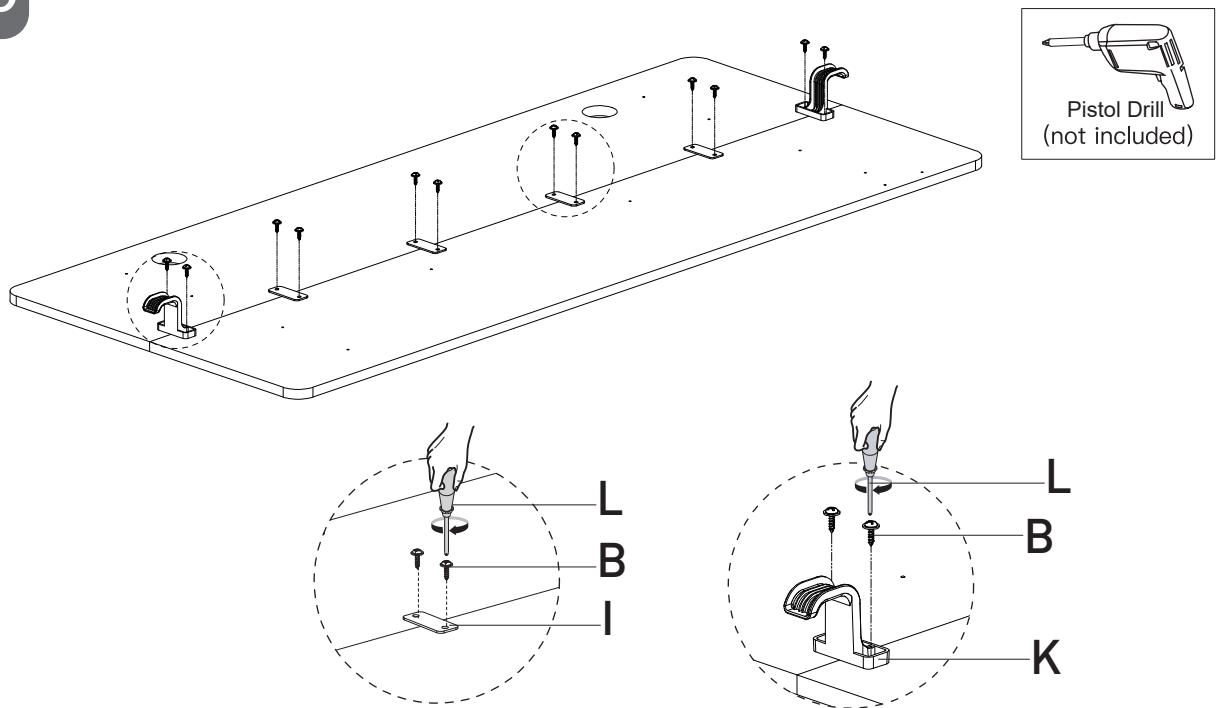
Note: 4 turns are required here.

Step 5



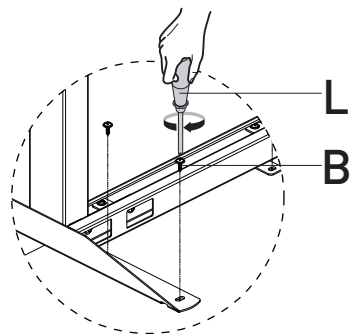
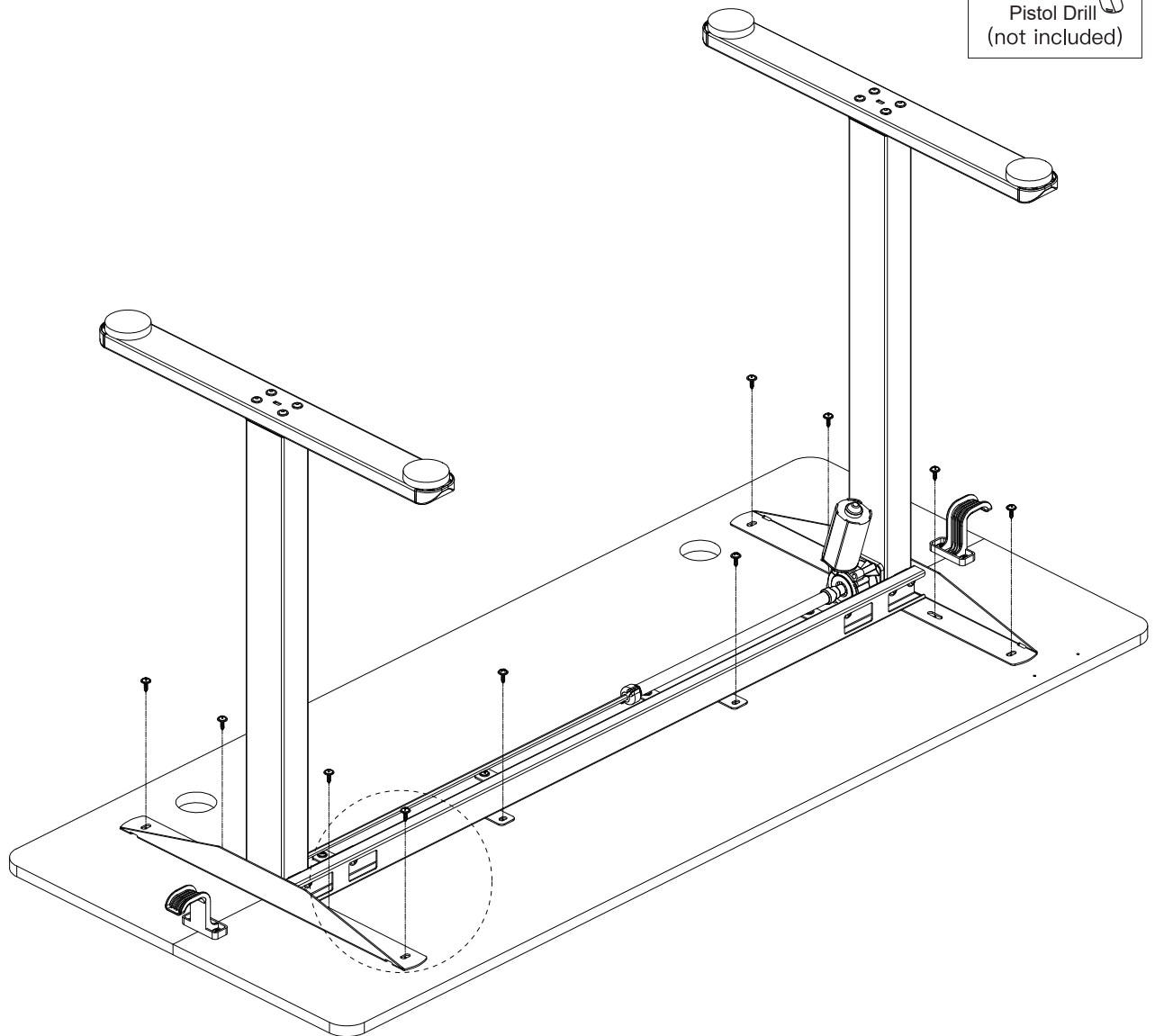
First, fix Boards (9a&9b) and the Wooden Pin H*4

Step 6



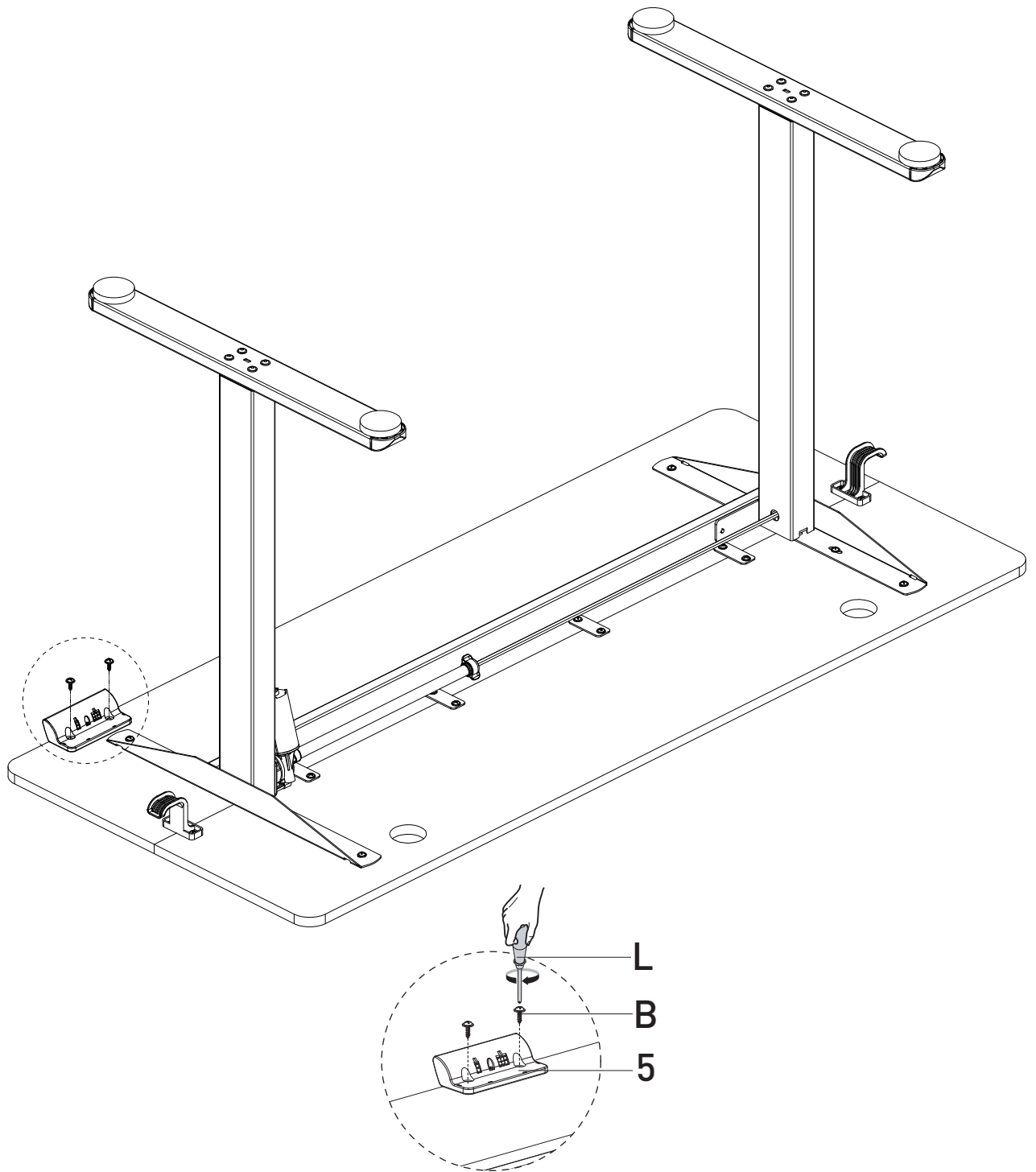
Use Screwdriver L with Screws B*12, install Desk Connection Plate I *4 to the middle of the Boards , and Desk Connection Hook K*2 to both sides of the Boards .

Step 7



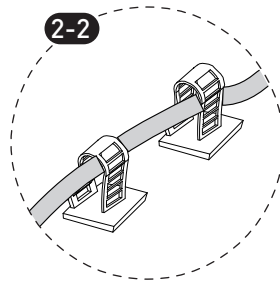
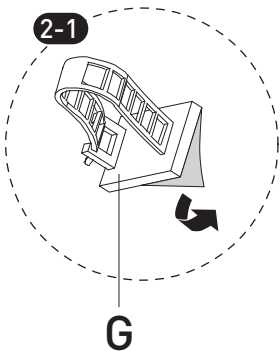
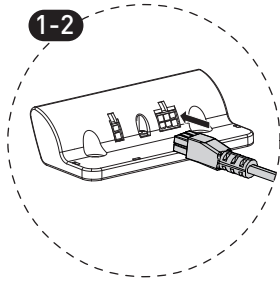
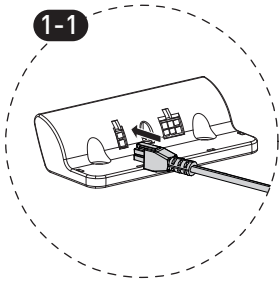
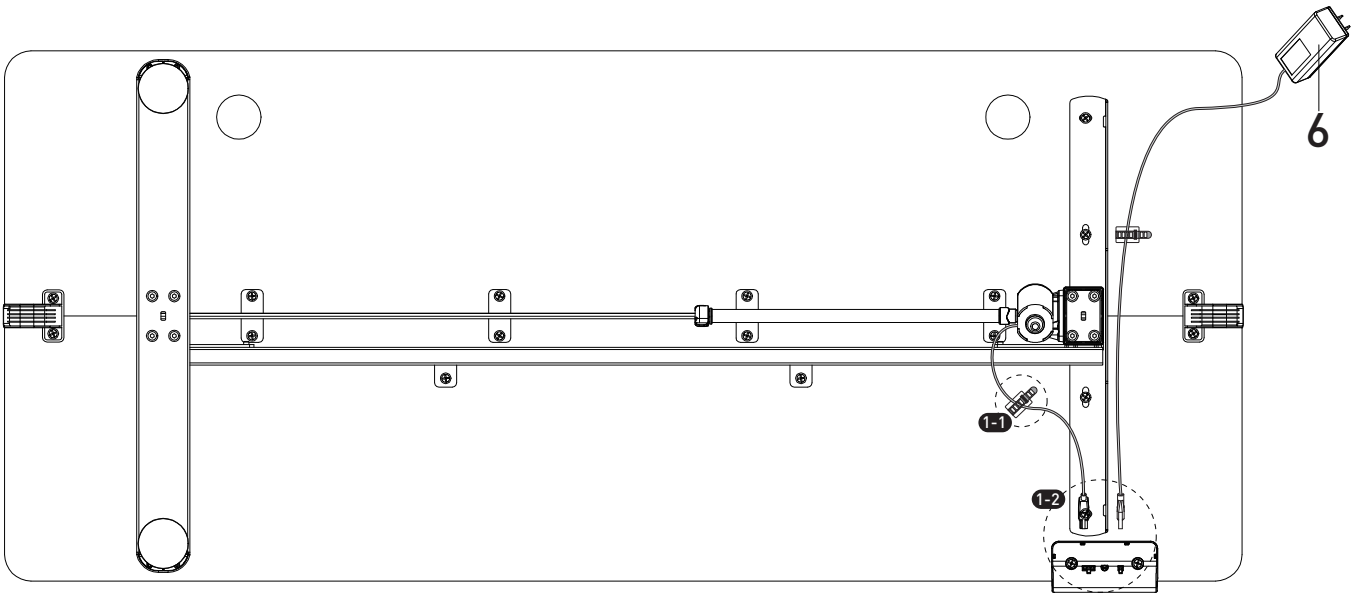
With a Screwdriver L, fix the legs to the Board (9a & 9b) with Screws B*10.

Step 8



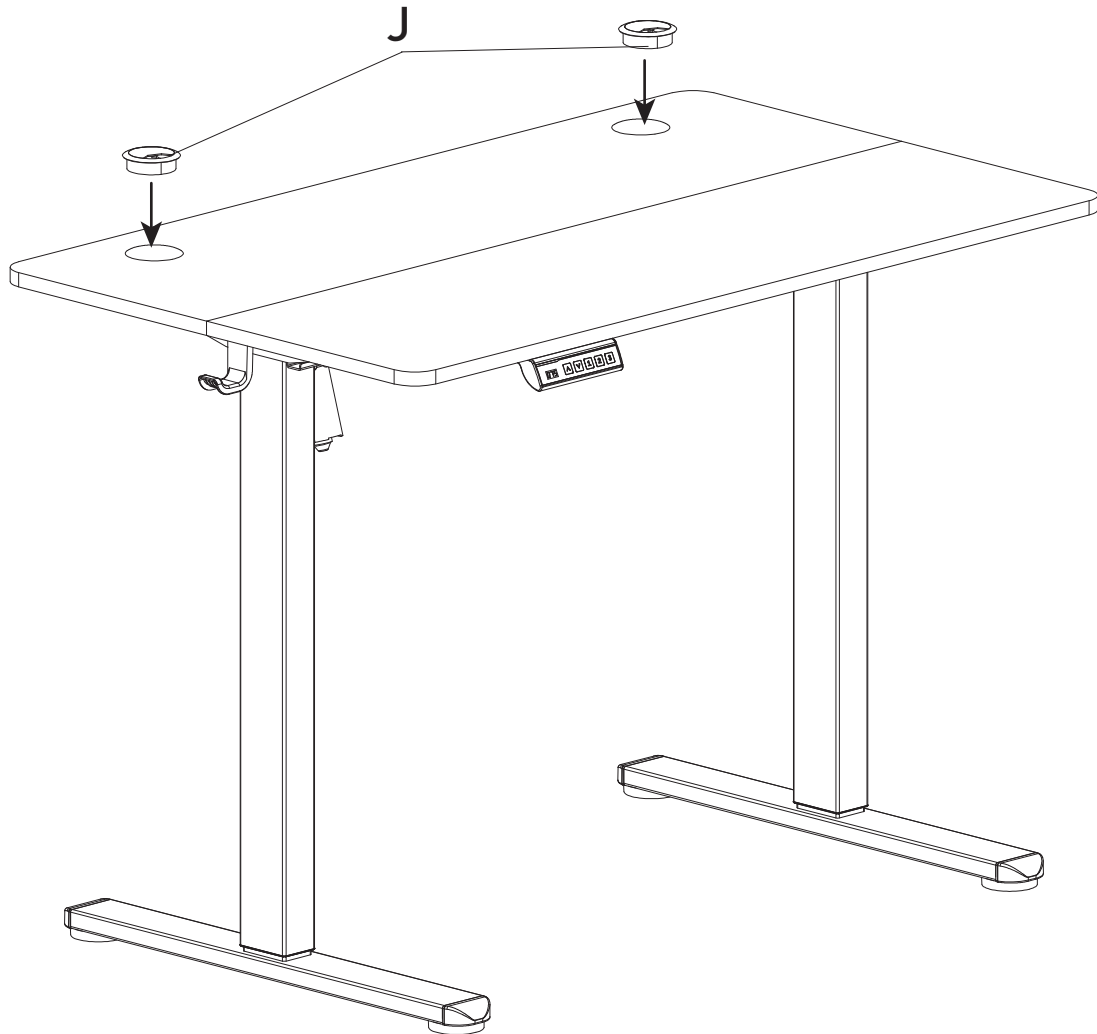
With a Screwdriver L, fix the Hand Controller 5 to the edge of the Board (9a & 9b) with Screw B*2.

Step 9



Connect Power Supply 6 and Hand Controller 5 and fix it with Cable Clip G*2.

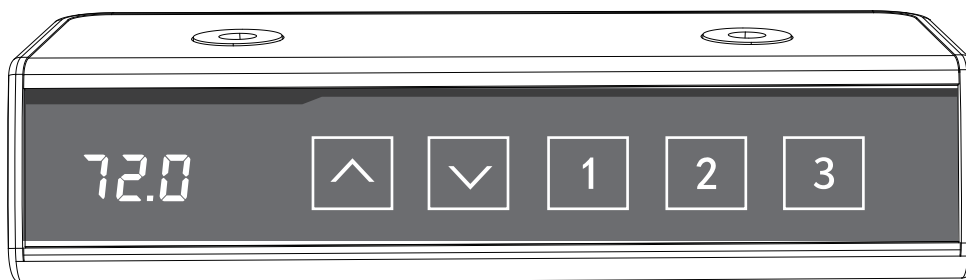
Step10



Insert Cable Hole Cover J*2 into the hole in the Board 9a.

NOTE: Ensure that all bolts are 100% locked.

Using the Controller



72.0 LED Display: Press any key once to wake up the display.

1
2 **3** Press the **1** or **2** or **3** button, the desk will move to the height that was previously set for that button.

^ Long press the **^** button to raise the desk continually, and desk will stop when the button was released or at the max height (118cm)

v Long press the **v** button to lower the desk continually, and desk will stop when the button was released or at the lowest height (72cm)

1
2 **3** Memory button setting: Adjust desk to the height you prefer, then long press the button **1** or **2** or **3** until LED display shows H1 or H2 or H3 and flashes for about 3 seconds. Once the LED display shows the height you already set, the height memory setting is done.

Reset Press and hold the **v** button for 5 seconds, and the screen will show 'RES.'
Continue holding until the desk goes down to its lowest level and comes back up slightly.

Protection Mode Error Codes

Hot	Overheat protection: When the motor operates continuously, it will stop running to prevent damage caused by overheating. Wait for a period of time (15-20minutes) before making any further height adjustments.
E10	Sensor malfunction warning: Motor safety sensor cannot be detected. Please power off, unplug the cables of the controller, wait for 5 minutes, then plug in the cables and connect the power again, and perform RES settings again.
E20	Overloading Warning: Over the max of loading weight. Power off, take the things off the desk, power back on, and try again.
E02	Operation Status Warning: The desk stops moving if vibration, impact, or incline is detected. If this detection is incorrect, follow the reset instructions before continuing use.
E32	Overvoltage Protection: Input voltage too high. If the correct AC adapter is being used, please power off, unplug the cables of the controller, wait for 5 minutes, then plug in the cables and connect the power again, and perform RES settings again.
E31	Undervoltage Protection: Input voltage too low. If the correct AC adapter is being used, please power off, unplug the cables of the controller, wait for 5 minutes, then plug in the cables and connect the power again, and perform RES settings again.
-	Cable Disconnection Warning: Please power off, unplug the cables of the controller, wait for 5 minutes, then plug in the cables and connect the power again, and perform RES settings again.

