

TURBRO

 *Neighborhood*

USER MANUAL

DOG HOUSE HEATER



MODEL: DH800A

CONTENTS

SAFETY INSTRUCTIONS	01
ELECTRICAL SAFETY	02
SPECIFICATIONS	03
INSTALLATION	04
OPERATION	06
CLEANING AND MAINTENANCE	07
WARRANTY	08

SAFETY INSTRUCTIONS

Read all instructions before installing or using this heater.

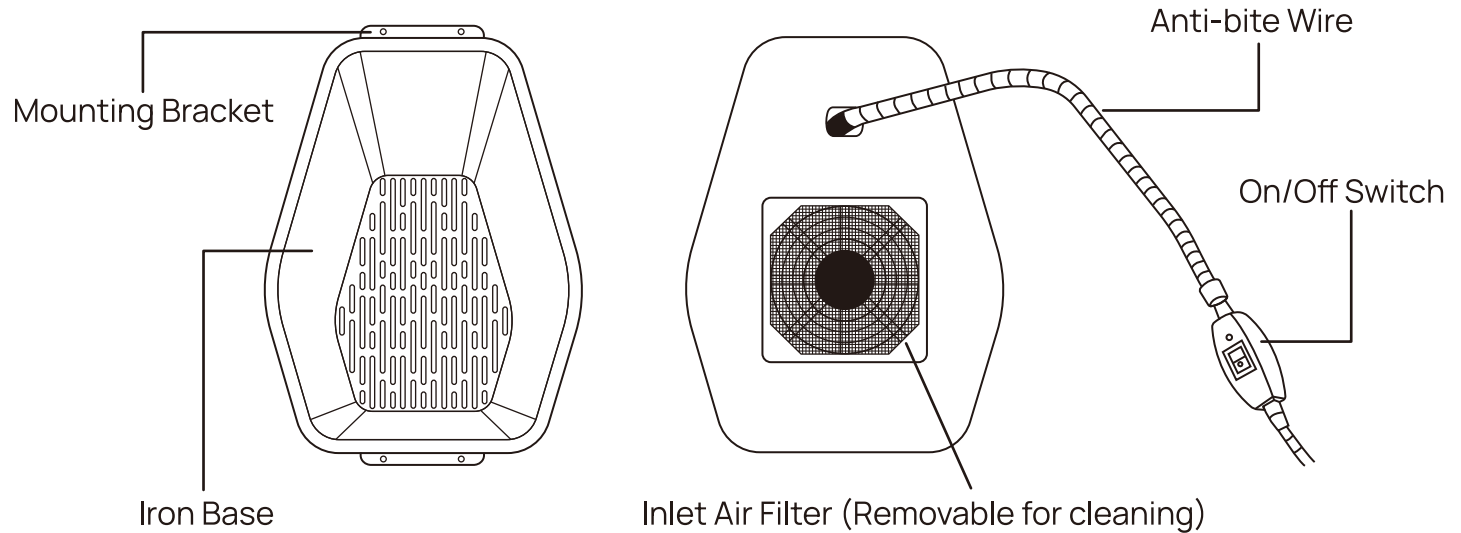
When using electrical appliances, basic precautions should always be followed to reduce the risk of fire, electric shock, and injury to persons, including the following:

1. This heater is hot when in use. To avoid burns, do not let bare skin touch hot surfaces. Keep combustible materials, such as furniture, pillows, bedding, papers, clothes, curtains, etc. at least 3 feet from the front of the heater and keep them away from the sides and rear of the heater.
2. Extreme caution is necessary when any heater is used by or near children or invalids and whenever the heater is left operating and unattended.
3. Do not operate any heater after it malfunctions. Turn off the power switch and unplug the power cord and have the heater inspected by a reputable electrician before reusing.
4. To disconnect the heater, switch the power bottom off and remove the plug from the outlet.
5. Do not insert or allow foreign objects to enter any ventilation or exhaust opening as this may cause an electric shock or fire, or damage the heater. This includes ALL types of bedding.
6. Do not block air intake or exhaust holes in any manner.
7. Do not use it in areas where gasoline, paint, or flammable vapors or liquids are used or stored.
8. Use this heater only as described in this manual. Any other use not recommended by the manufacturer may cause fire, electric shock, or injury to persons.
9. Do not alter the heater or cord in any way. This greatly increases your risk of fire and/or injury.
10. Any alterations to the heater, heater parts, or cords will void all warranties.
11. Dutiful compliance with regular maintenance is required for safe and effective operation. See “CLEANING AND MAINTENANCE” for further details.

ELECTRICAL SAFETY

- Check the power cord and plug carefully before use, to make sure that they are not damaged.
- If the supply cord is damaged in any way, it must be replaced by the manufacturer or its service agent or a similarly qualified person in order to avoid a hazard.
- Electrical outlet wiring must comply with local building codes and other applicable regulations to reduce the risk of fire, electrical shock, and personal injury.
- To protect against electric shock, do not immerse cord or plug in water or any other liquid.
- Do not use this item if the heater has been submerged in water. Immediately turn off the power and call a qualified service technician to inspect the item.

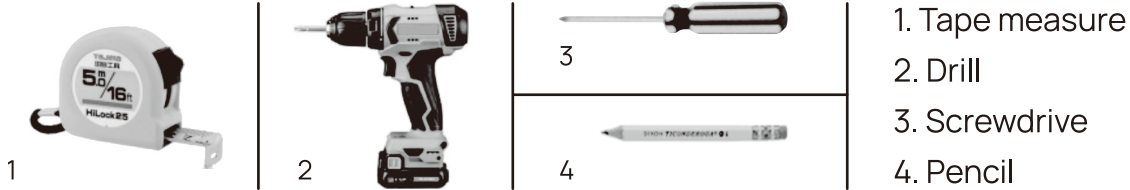
SPECIFICATIONS



Model Number	DH800A
Power Supply	120V/60 Hz
Rated Power	800W
Cord Length	9.8 Feet/ 3 Meters
Item Dimensions	10.6 x 7.7 x 3.1 Inch
Item Weight	4.2 Lbs

INSTALLATION

Tools Required (not included):



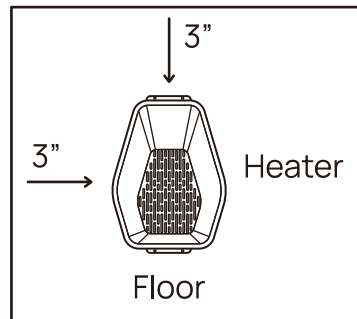
Installation Steps

Step 1

Ensure the proper position.

Choose a proper position and use a pencil to mark the mounting location. Place the heater as high as possible with a minimum of at least 3 inches from the ceiling.

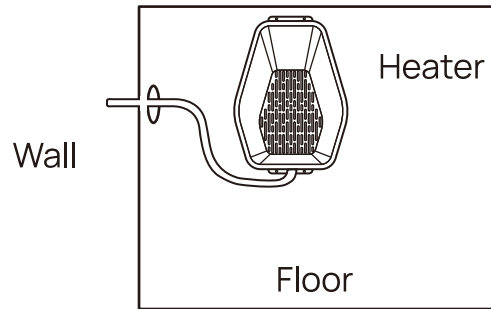
Caution: The heater must be mounted on a vertical wall of your pet house. Do not mount it on the ceiling or floor.



Step 2

Fix the power cord.

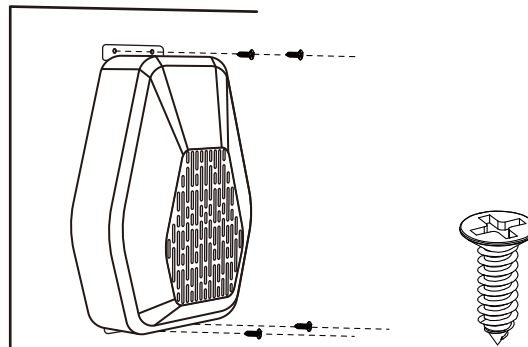
Use a drill bit drill to bore a hole through the wall of the pet house, and then put the power cord through the hole in the house.



Step 3

Attach the heater with screws.

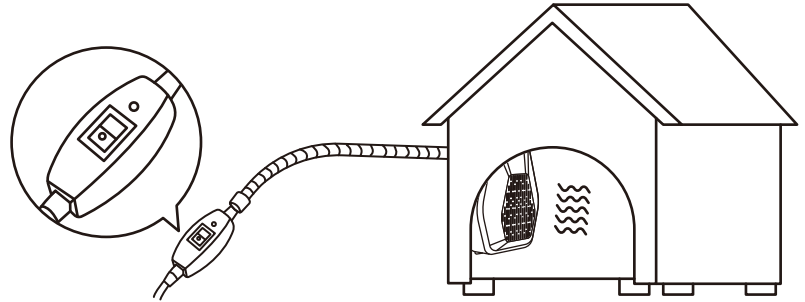
Note: The power cord should be installed through the wall of the pet house before fixing the heater.



Step 4

Ready to use.

Plug the unit into a proper wall outlet.



OPERATION

Due to dog houses being of different sizes, shapes, insulation values, with varying outside temperatures, etc., reaching the desired temperature will vary greatly, and will also affect the effect of heating. Having insulated walls and preferably a door/flap is very important for keeping your pet house warm.

Heating Mode:

I : Low (400W)

II : High (800W)

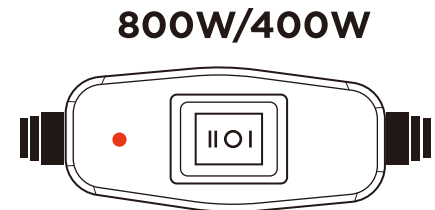
1. Power on:

Switch the control button to “I / II” to turn on the product and choose the heating mode.

2. Power off:

Switch the control button to “O” to turn off the product.

*Note: This heater is hot when in use. To avoid burns, do not let bare skin touch hot surfaces.



CLEANING AND MAINTENANCE

Regular maintenance is important to the functionality and safety of the unit. The filter must be cleaned per 3 months to keep the unit safe and working normally.

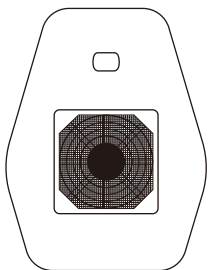
To clean and maintain your appliance, please follow below instructions:

1. Turn off the heater and unplug the power cord before cleaning your heater.
2. Make sure the heater is cool before cleaning.
3. Remove the front cover and inspect for hair, dust, and debris. Ensure the fan is free from hair, dust, and debris and is able to spin freely.
4. It's recommended to wipe it out with a lint-free towel and/or a soft-bristled brush. You may use a mild detergent if necessary.
5. After cleaning, dry the unit with a soft cloth.
6. Wait until the heater is completely dry before using.

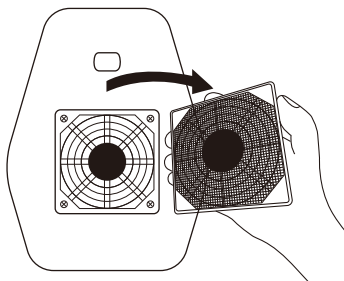
*Note: Do not immerse the heater in water or let liquids enter the heater.

Disassembly steps:

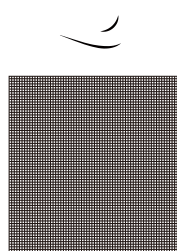
- ① Remove the fan case



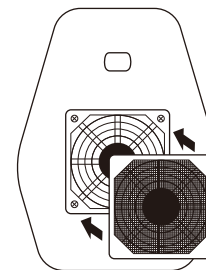
- ② Take out the filter to clean



- ③ Ensure the filter dry before installing



- ④ Reassemble both the filter and case



WARRANTY

1 YEAR WARRANTY

TURBRO provides 1-year limited warranty for heater, from the date of purchase, subject to the following conditions and limitations.

What is covered?

- Any alteration misuse of the product will nullify this warranty.
- This warranty is non-transferrable, which is effective for the original buyer from the authorized seller only.
- This warranty is limited to the repair or replacement of part(s) proved to be defective in material or workmanship, after saiddefectis confirmed by the manufacturer's inspection.

What's NOT covered?

- Damage caused by the owner when attempting to fix or alter the product themselves.
- Damage caused by misuse, abuse, neglect, alterations, or unauthorized repair.
- Natural depreciation
- How to request warranty services?

To obtain the benefit of this warranty, please leave a message online (<https://www.turbro.com/pages/contact-us>), or send an email to support@turbro.com, Our customer service will address your issue within 24 hours.

What will TURBRO do?

- Replace the item.
- Refund the item under certain circumstances.

TURBRO



© Katmai Technology Limited

✉ support@turbro.com

🌐 www.turbro.com

☎ [\(323\) 438-3334](tel:(323)438-3334)