

WARRANTY

We strive to offer high-quality products, and we also try our best to satisfy each and every customer that orders from us with product or service as needed. We provide 30 days warranty starting from the time you receive the item. Each customer must provide a record of their order such as the order number, or item receipt for any items that are out of the warranty period you may also still receive replacement parts by purchasing them with our company if they are available.

For return, Please check the return policy with the retailer or MarketPlace you bought from.

Appreciated your purchasing from us.

Pop up your life by our furniture piece!

Owner Manual



NOTE:

This brochure contains IMPORTANT safty info. Please read and keep for future reference.

Maintenance and Warning

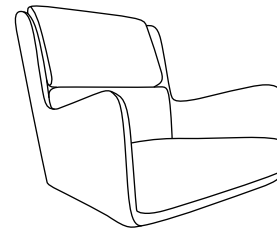
- Keep furniture away from heat.
- Do not clean furniture with harsh cleansers or polish. Do not use detergents, Solvents, abrasives, spray packs or leather cleaner. Use non-color mild soap with warm water clean spills(Mix 1:10 soap to water)
- Do not place furniture under direct sunlight, material will possibly fade over time.
- Do not use on site dry Cleaning machine.
- Children should not climb or jump on the furniture.
- Do not write on furniture without a padded barrier to protect the surface.
- Not for commercial use, For residential use only.



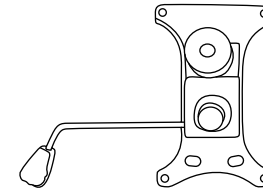
Weight Limitation
250LBS

PARTS LIST

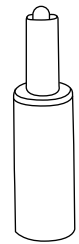
A*1



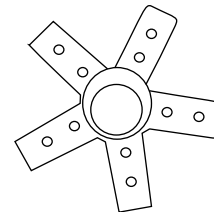
B*1



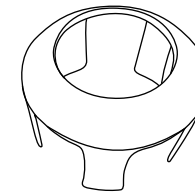
C*1



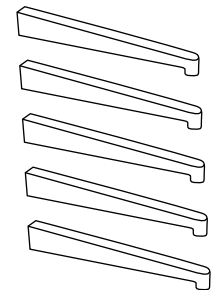
D*1



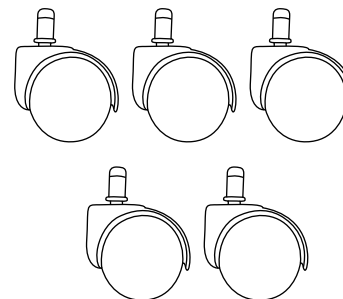
E*1



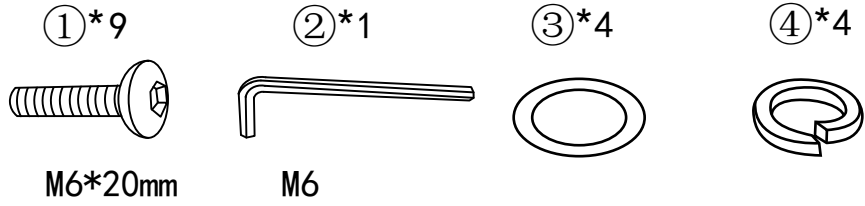
F*5



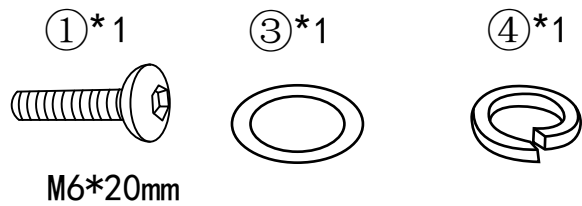
G*5



HARDWARE LIST

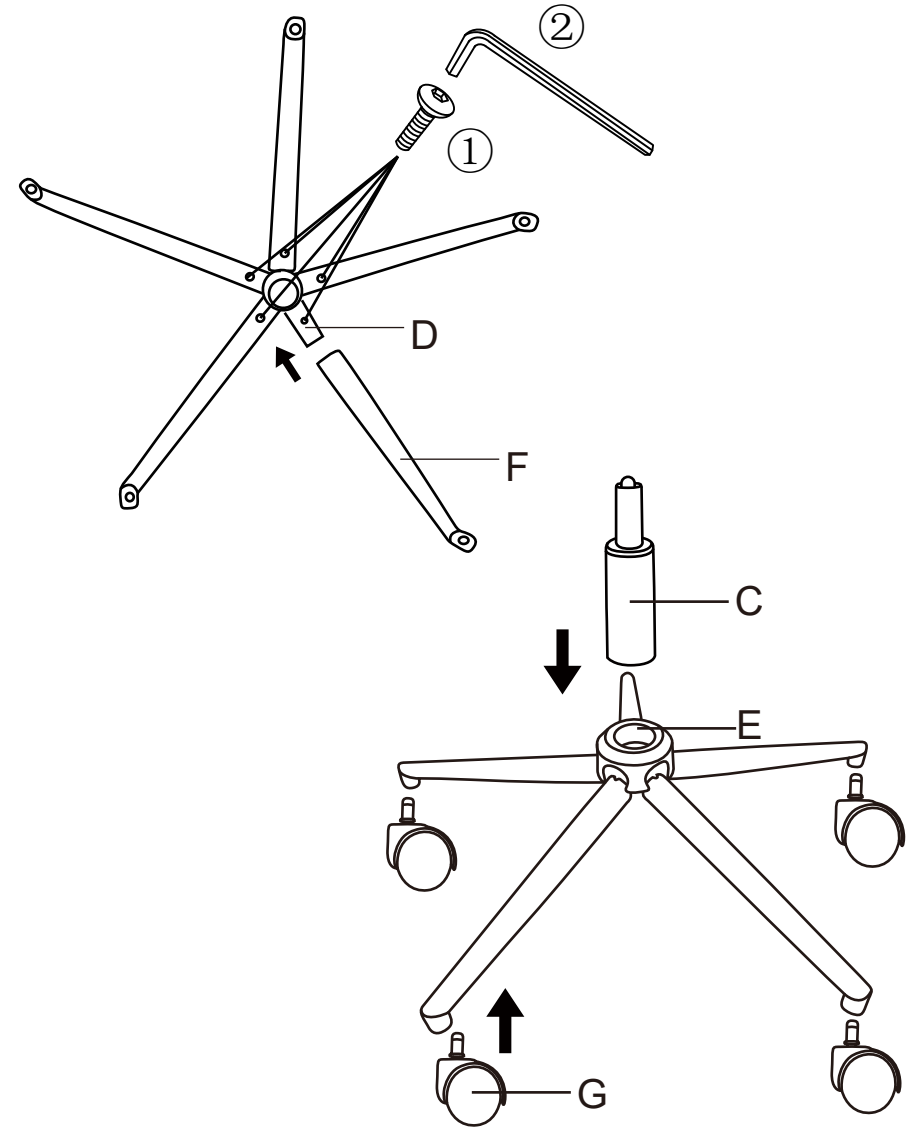


SPARE

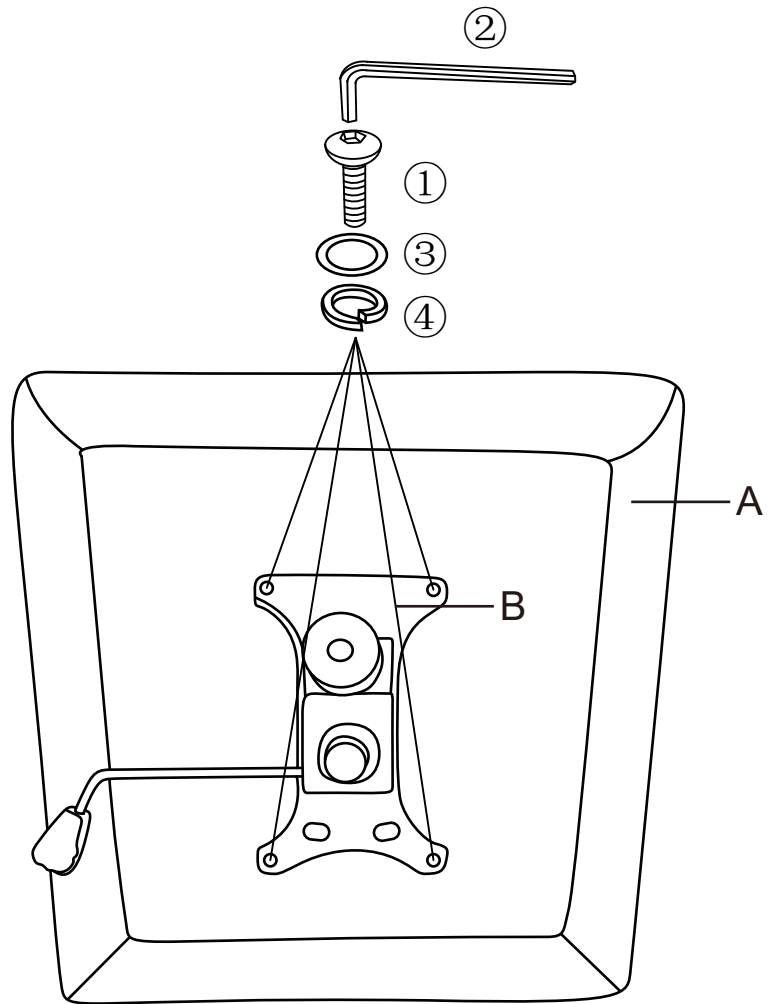


ASSEMBLY INSTRUCTIONS

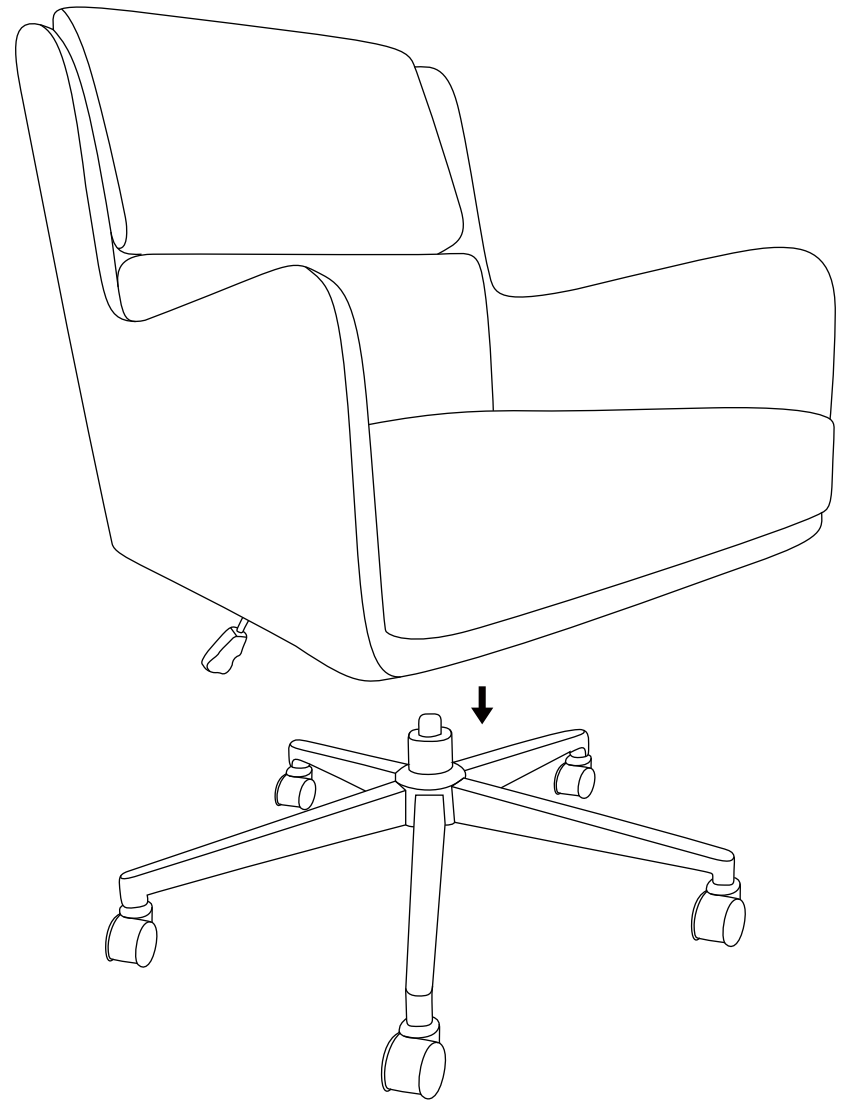
STEP 1

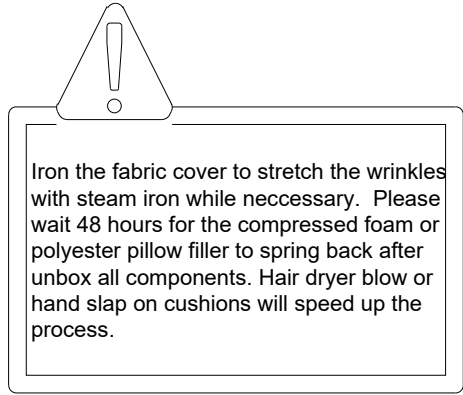


STEP2



STEP3





Assembly completed