


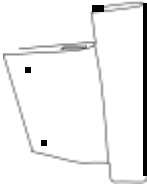

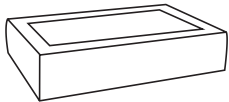
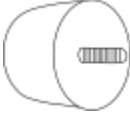
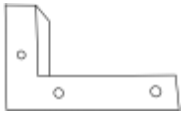

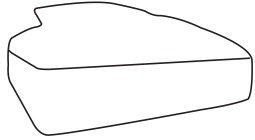

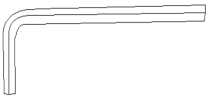
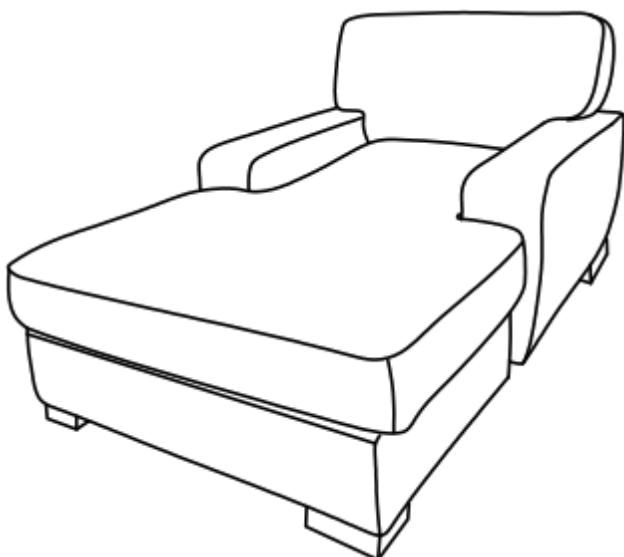


ASSEMBLY INSTRUCTIONS

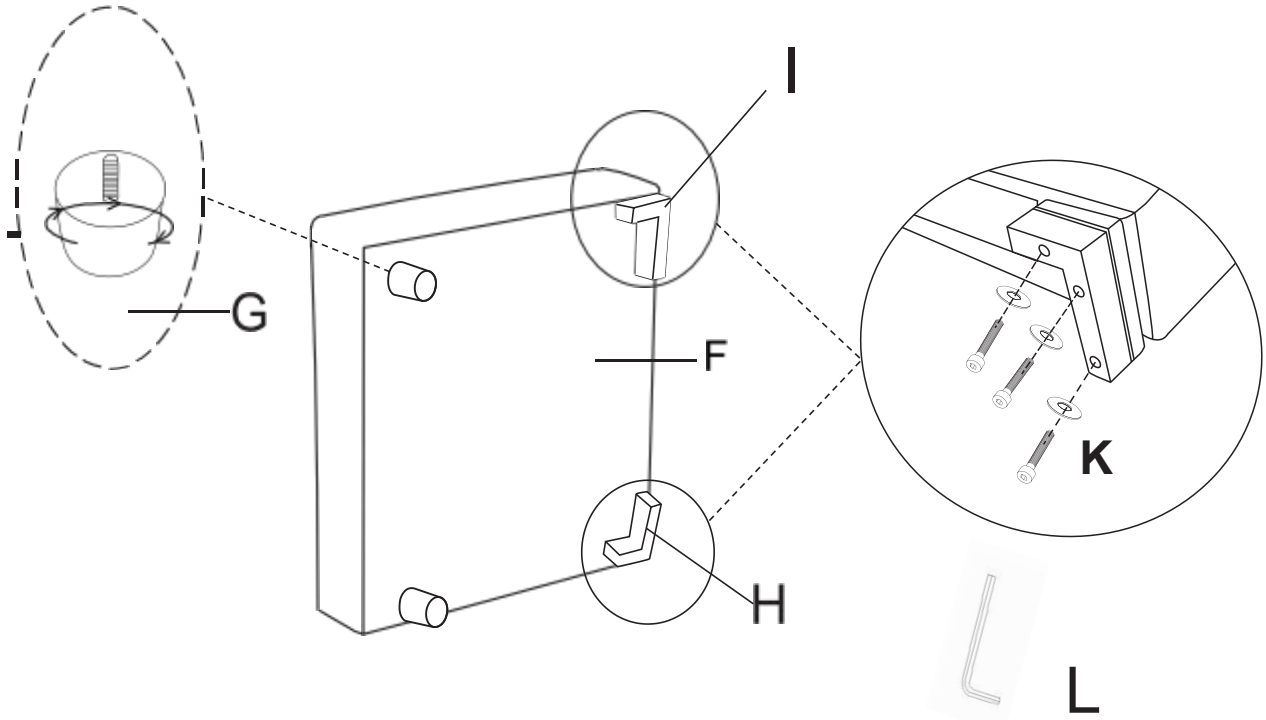
C01 CHAIR

A Seat Frame  1pc	B Left Arm  1pc	C Right Arm  1pc	D Back Rest  1pc	E Back Cushion (store under the Seat Frame)  1pc
F Ottoman  1 pc	G Plastic Legs  2 p cs	H Right Wood Legs  3 p cs	I Left Wood Legs  3 pcs	J Seat cushion  1pc
K Flat Washer Ø46x2mm  22pcs	L Hex key  1 pcs			

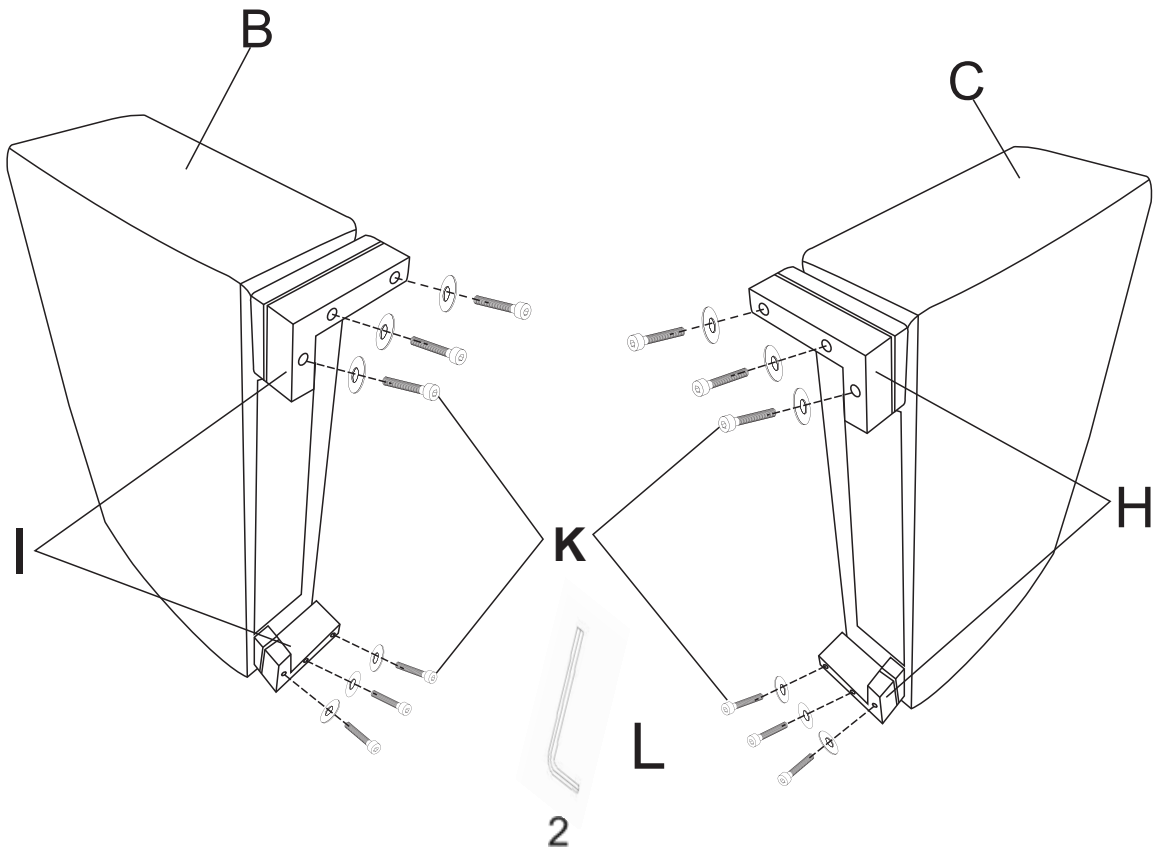


This page lists all the contents included in the box. Please take the time to identify the hardware as well as the individual components to this product. As you unpack and prepare for assembly, place the contents on a carpeted or padded area to protect them from damage.

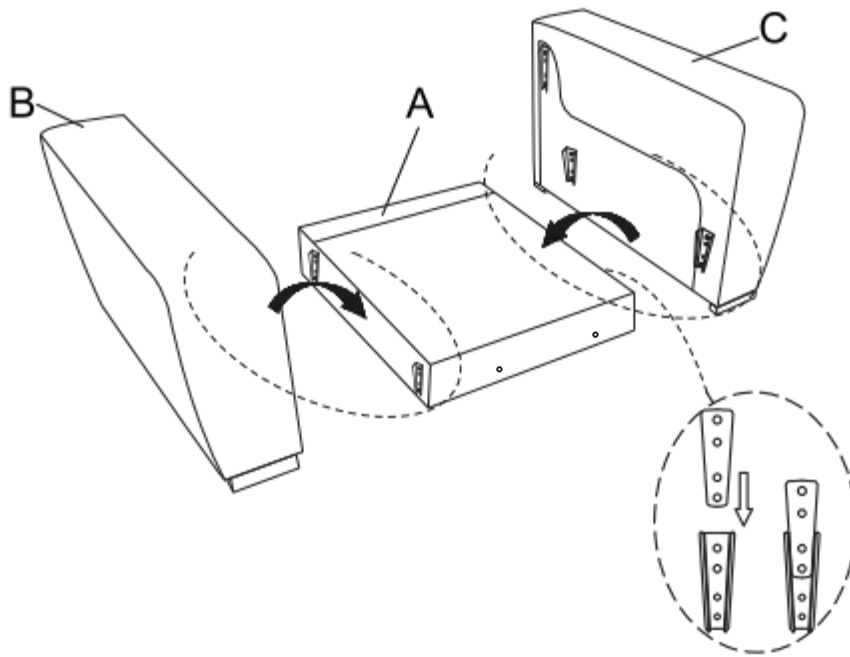
- 1** Open the Ottoman (F), take out the backrest (D), and then align the left wooden foot (I) and the right wooden Foot (H) and the Plastic Wood Legs (G) with the hole position



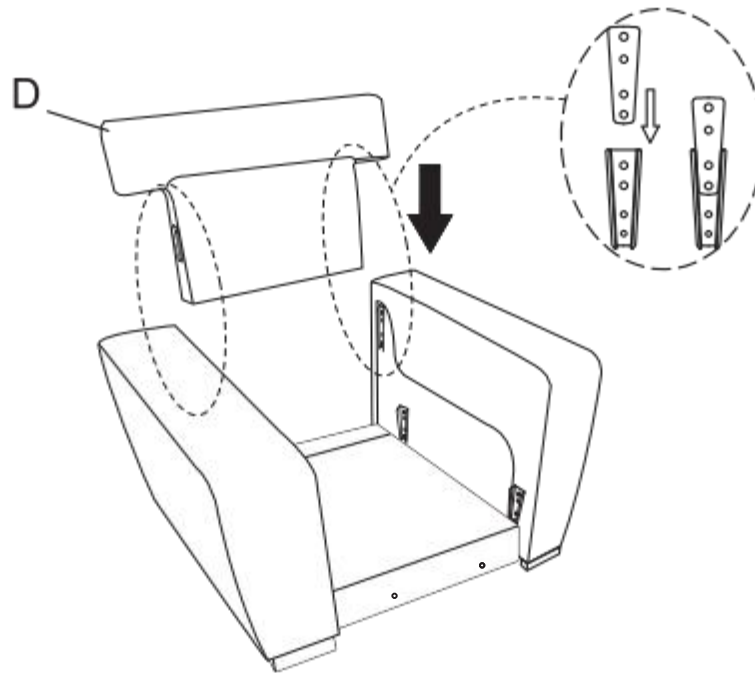
2



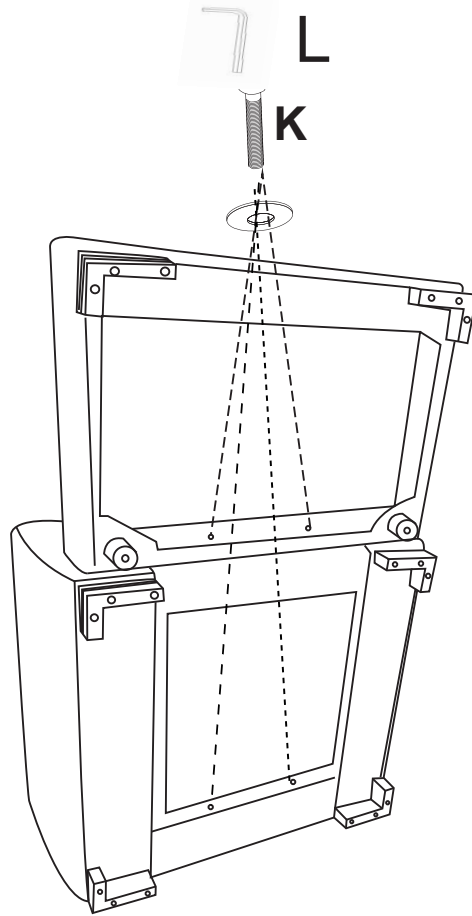
3 Hook on the Left Arm (B) & Right Arm (C) to the Seat Frame (A) properly.



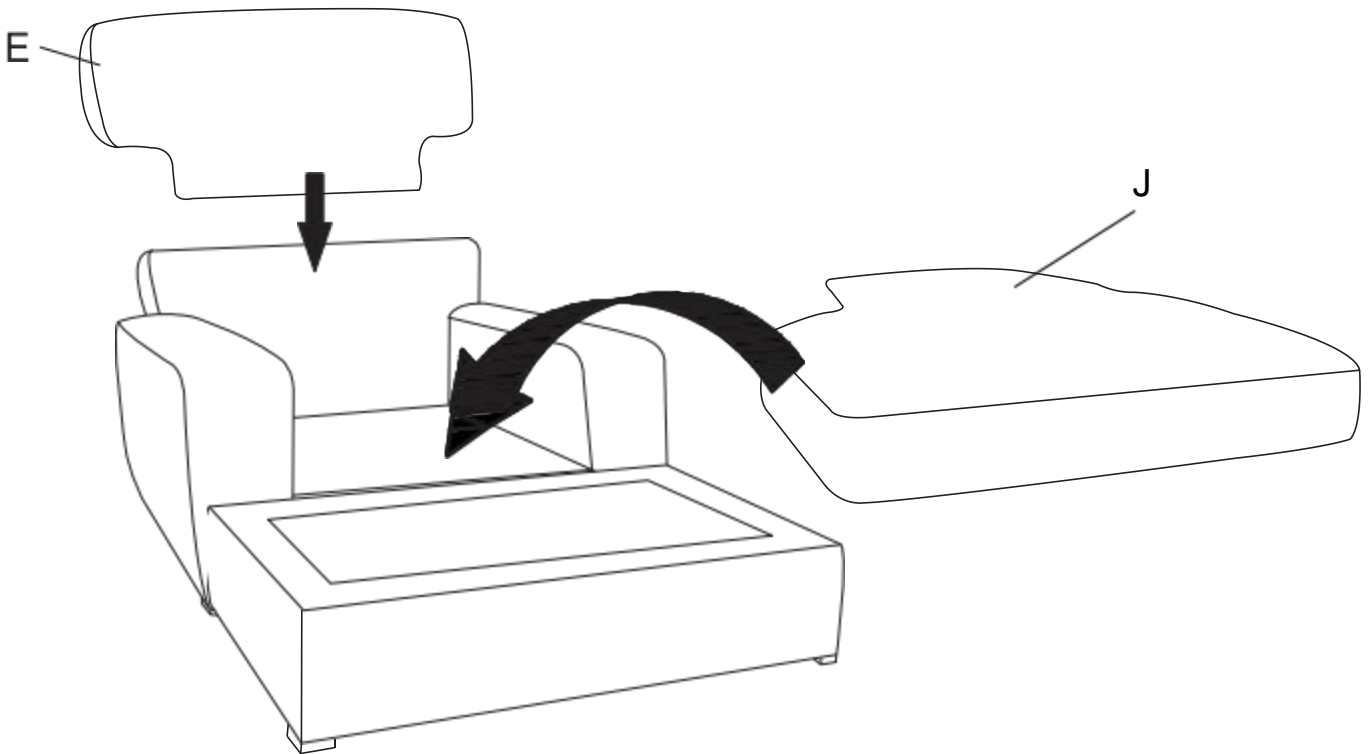
4

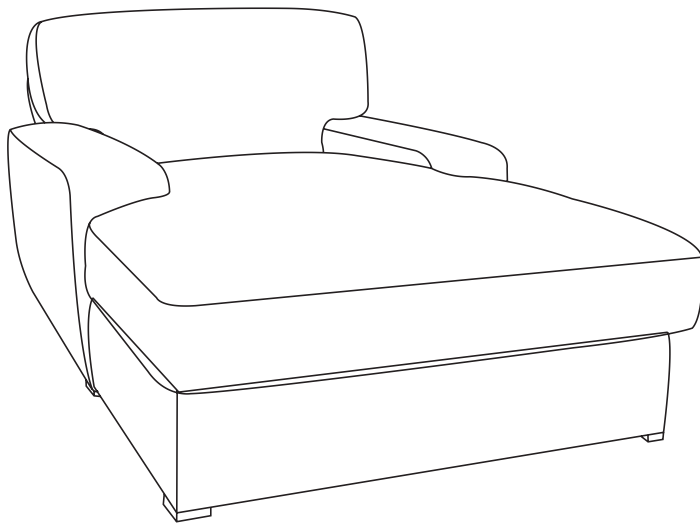


5



6





Cleaning & Care

Treat surface with care. Surface is resistant to scratches but is not scratch resistant. Clean surfaces with a dry or damp soft cloth. Do not use abrasive cleaners. Hardware may loosen over time. Periodically check that all connections are tight.