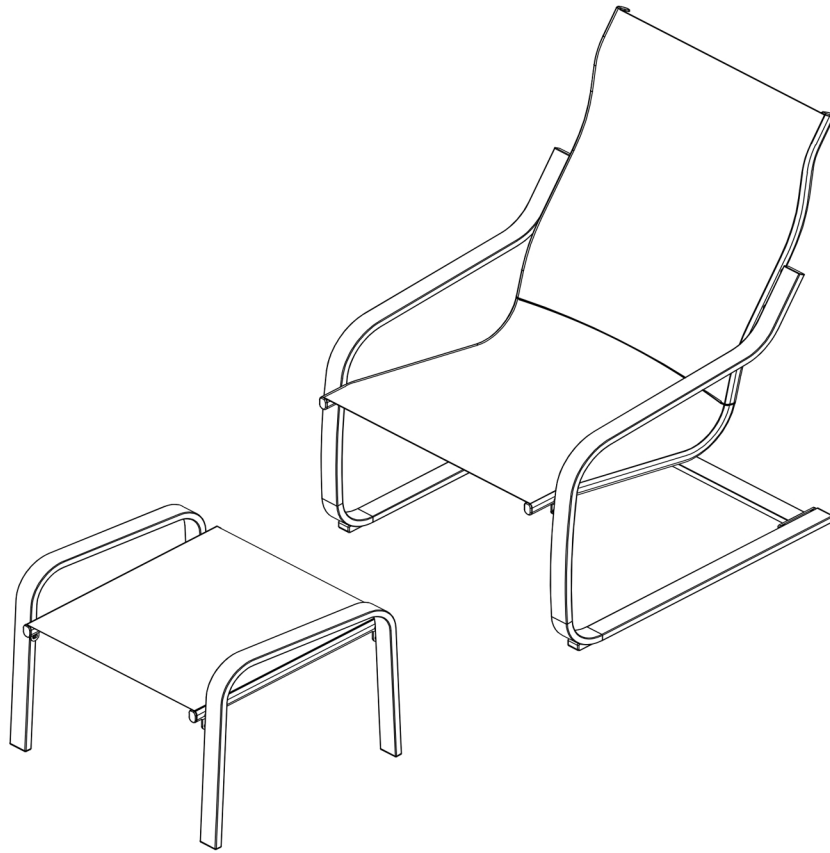


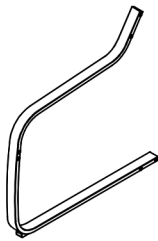
2-Pieces Rocking Conversation Set Assembly Manual



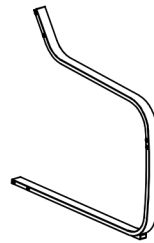
- Prior to assembly, please confirm all of the parts listed included.
- All bolts should be tightened before use. Maybe, you need allen wrench for assembly.
- Missing Part? Damaged? Contact us via email



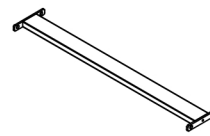
A 1PC



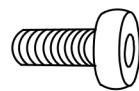
B 1PC



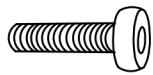
C 1PC



D 1PC



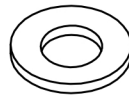
E M6*18 6PCS



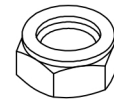
F M6*30 6PCS



G M6*35 3PCS



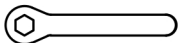
H D6 15PCS



I M6 3PCS

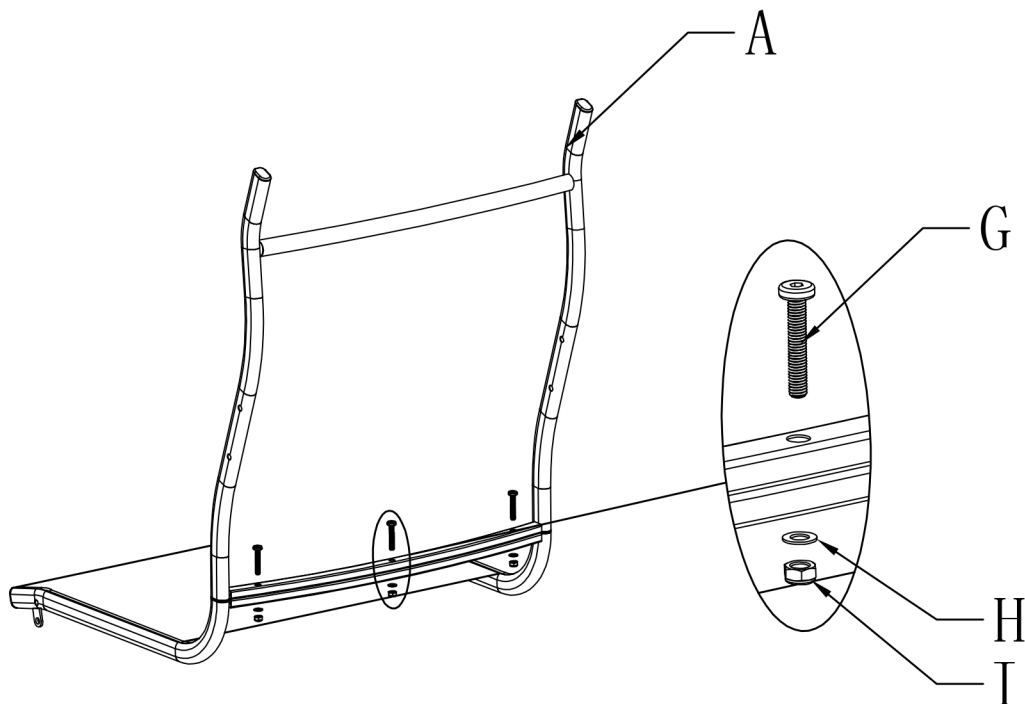


J S4 1PC

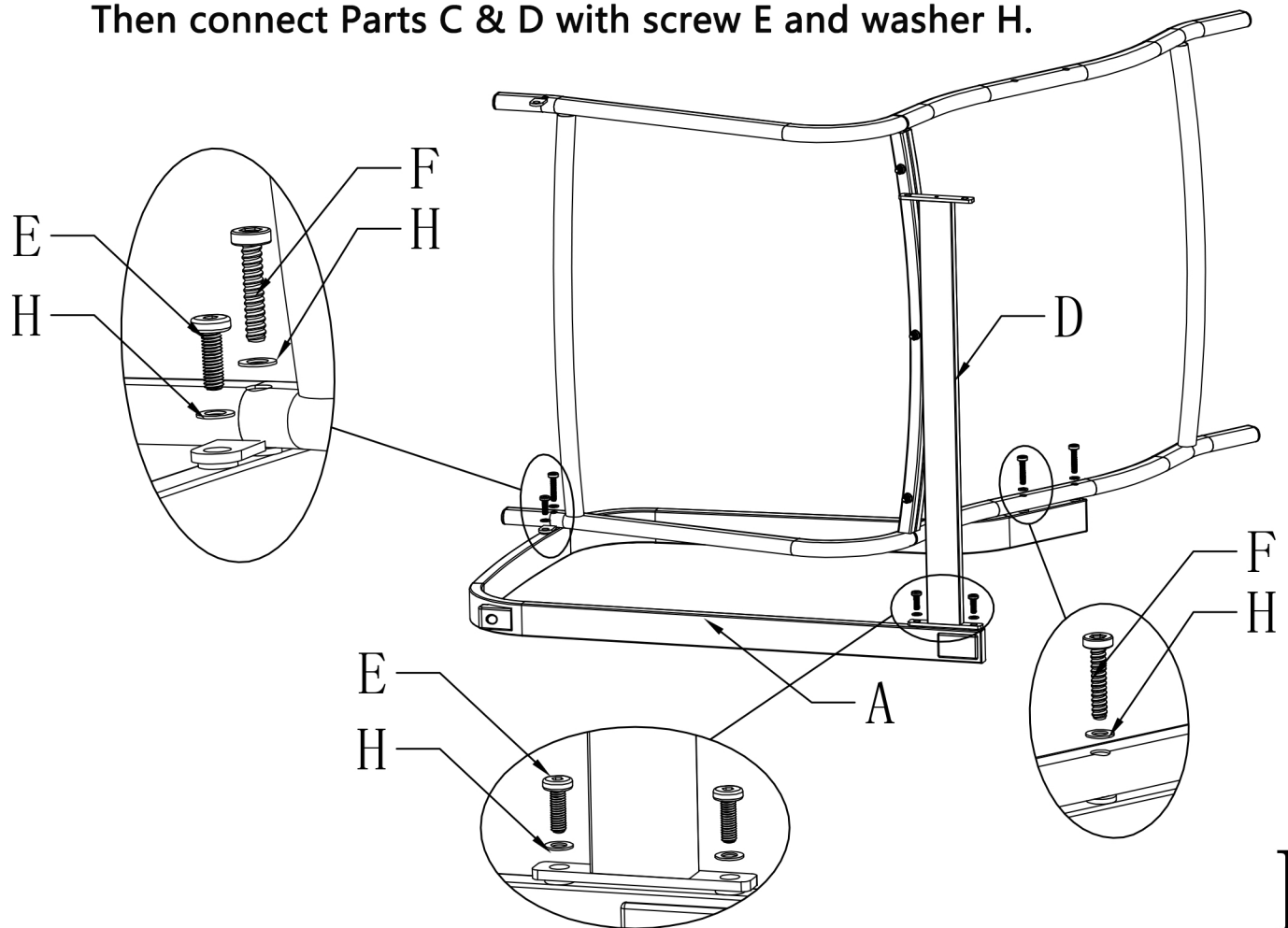


K 1PC

**StepA : Install screw G and gasket H & I as shown in part A.
(Please don't tighten the screws until the last step.)**

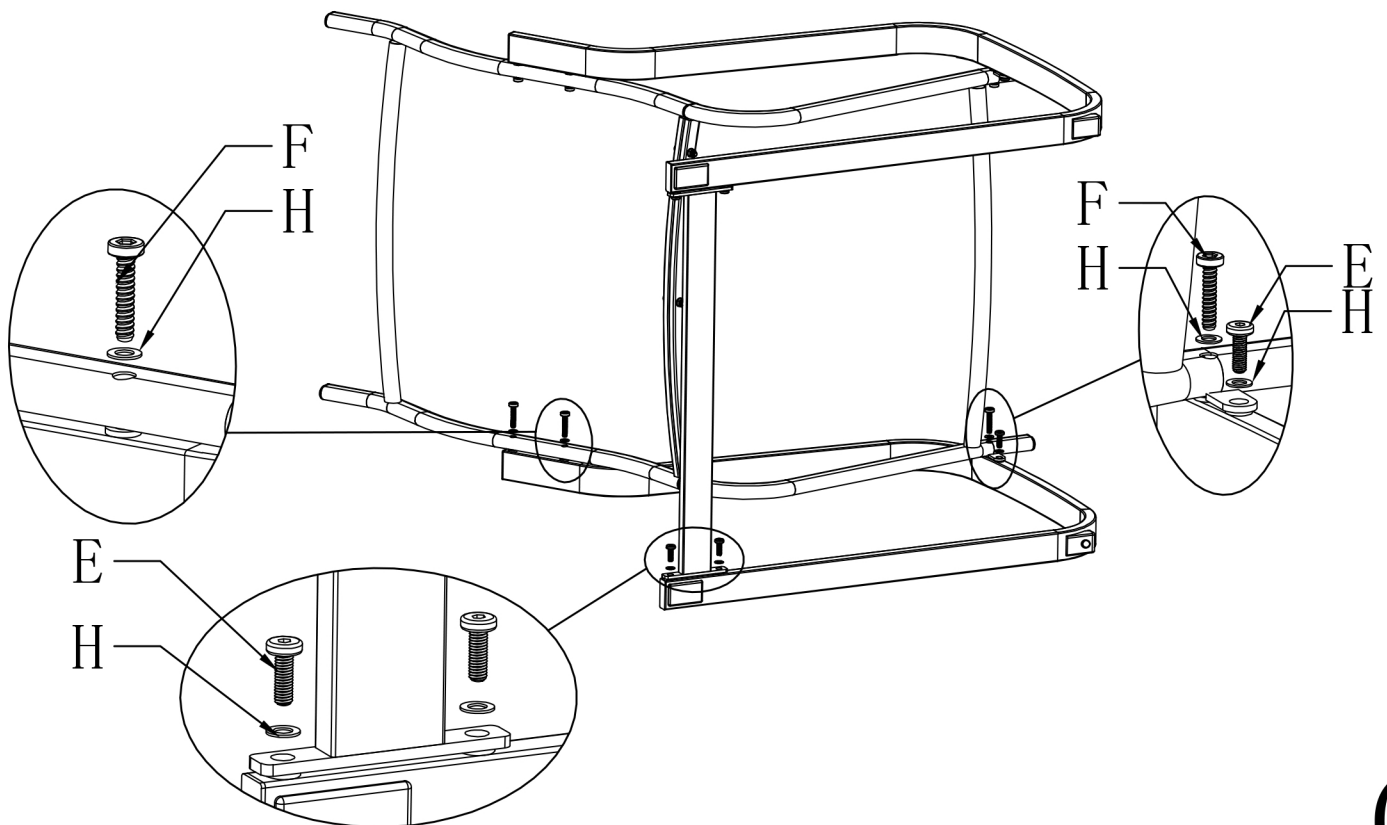


**StepB : Use screw E,F and gasket H to slide part C to the right rear side of part A.
Then connect Parts C & D with screw E and washer H.**



B

**StepC : Use screw E,F and gasket H to slide part B to the left rear side of part A.
Then connect Parts B & D with screw E and washer H.**

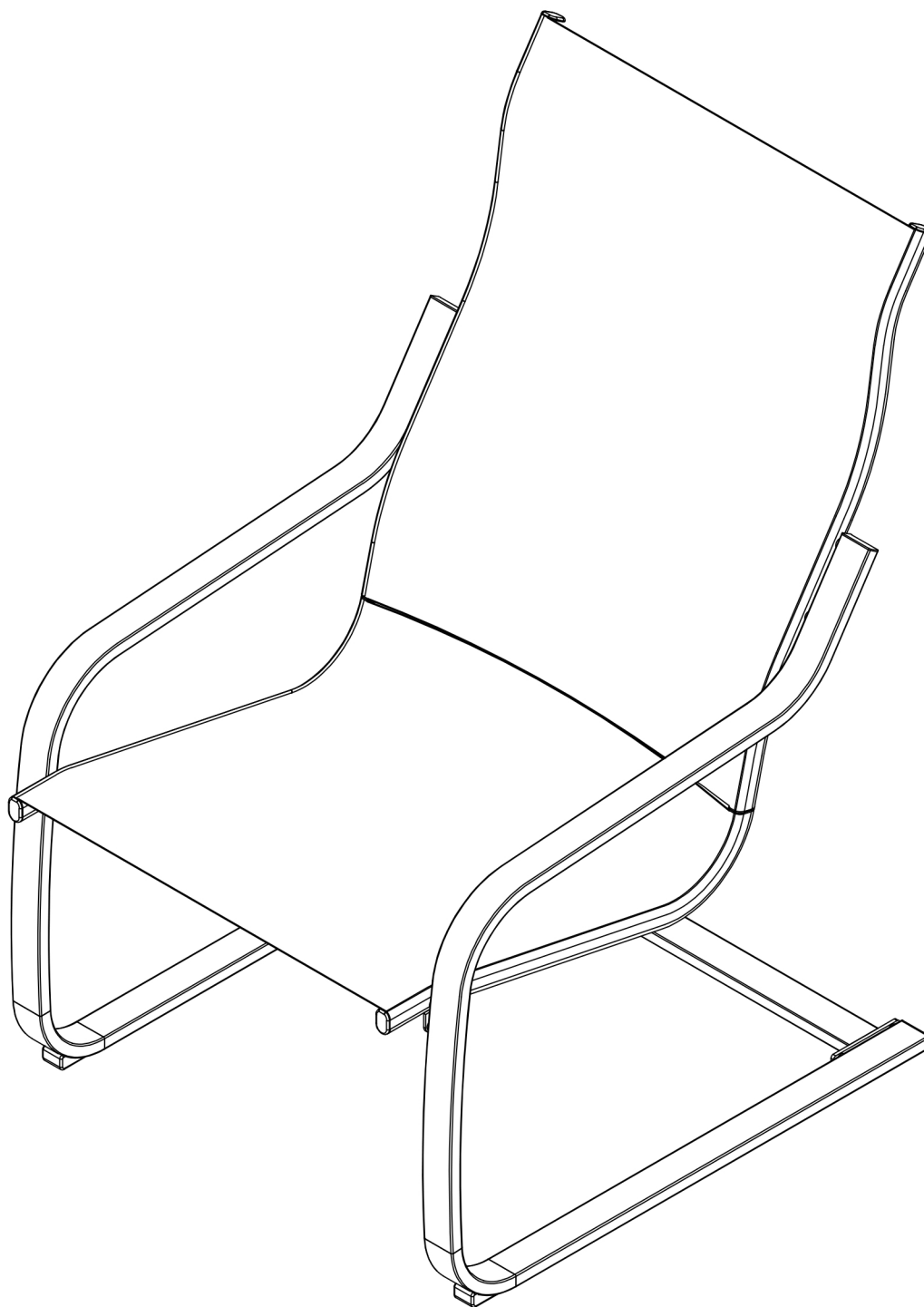


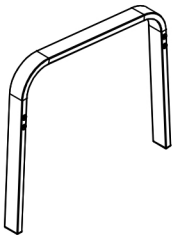
C

StepD : Tighten all screws.

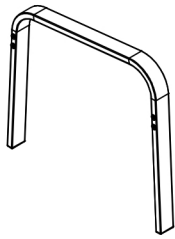
Check to make sure all screws are fixed tightly before use.

Repeat for another chair.

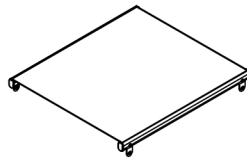




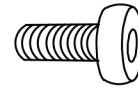
A 1PC



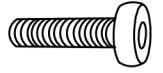
B 1PC



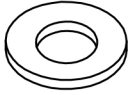
C 1PC



D M6*16 4PCS



E M6*30 4PCS

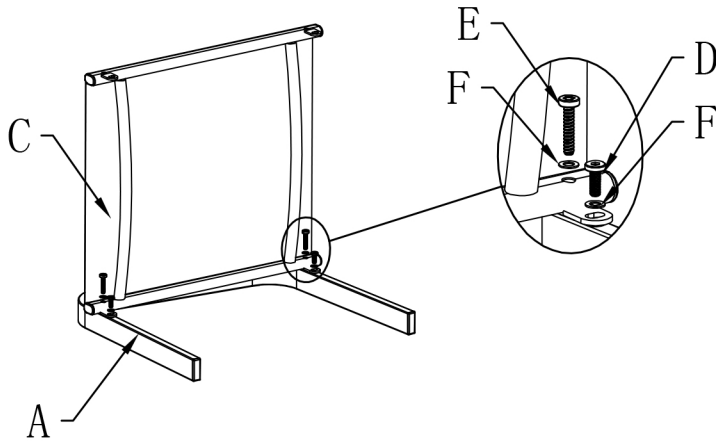


F D6 8PCS



G S4 1PC

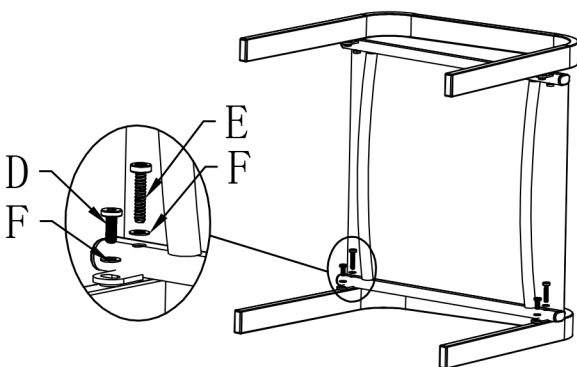
StepA : Use screw D,E and gasket F to connect part A to the left of part C.



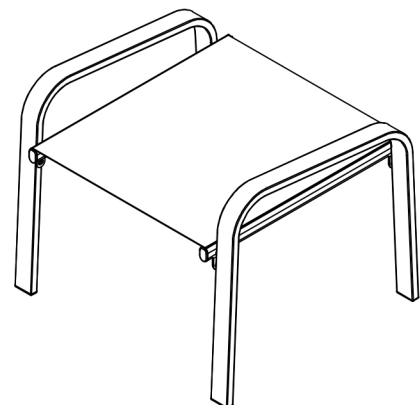
A

StepB : Use screw D,E and gasket F to connect part B to the right of part C.

StepC : Check to make sure all screws are fixed tightly before use.



B
4



C