

Assembly Instructions

LEDELL-42 Round Table



2 people recommended



A (1 pc)
2mm



B (8 pcs)
M5 x 10mm



C (1 pc)
5mm



D (1 pc)
M8 x 55mm



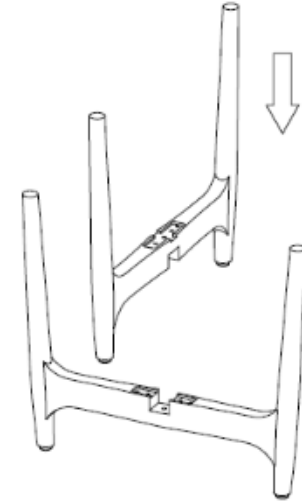
E (8 pcs)
M8 x 20mm



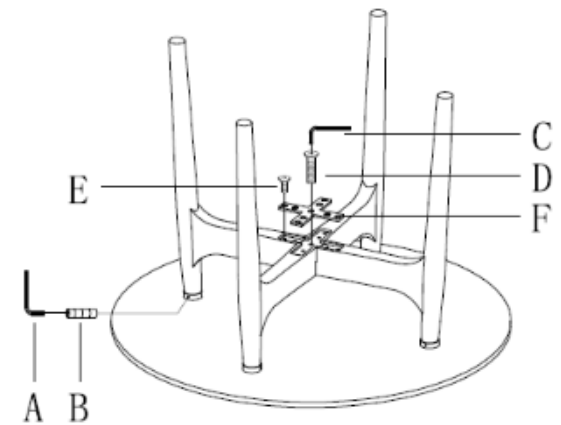
F (1 pc)

PLEASE NOTE: Check that you have received all components and hardware before assembling. If you are missing any parts, contact your retailer.

1



2



During assembly, hand tighten screws only. When the screws are in place, tighten completely.