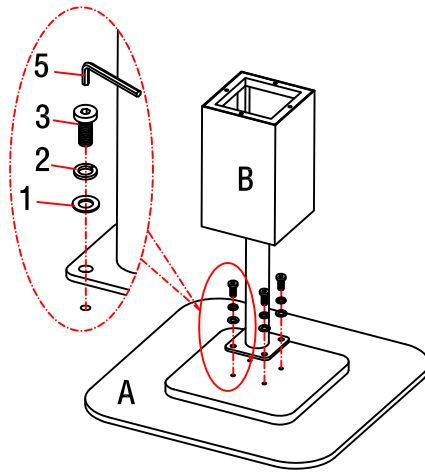




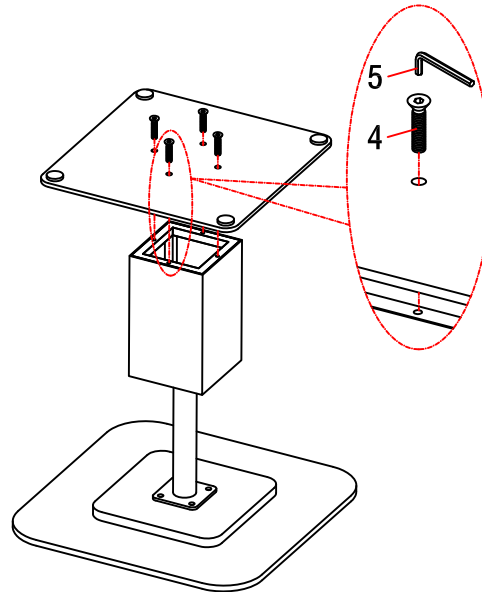
THANK YOU FOR PURCHASING THIS QUALITY PRODUCT.

BE SURE TO CHECK ALL PACKING MATERIAL CAREFULLY FOR SMALL PARTS THAT MAY HAVE COME LOOSE INSIDE THE CARTON DURING TRANSIT.

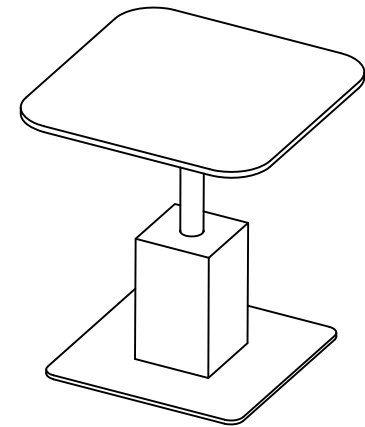
Step 1



Step 2



FINISH



PARTS LIST:

NO	DESCRIPTION	SIZE(mm)	SKETCH	QTY
A	TOP	500x500xt12		1PC
B	POLE	150x150x507		1PC
C	BASE	400x400xt8		1PC

HARDWARE LIST:

NO	DESCRIPTION	SIZE(mm)	SKETCH	QTY
1	WASHER	1/4"		4PCS
2	SPRING WASHER	1/4"		4PCS
3	BOLT	1/4"x20		4PCS
4	BOLT	1/4"x25		4PCS
5	ALLEN KEY	4		1PC