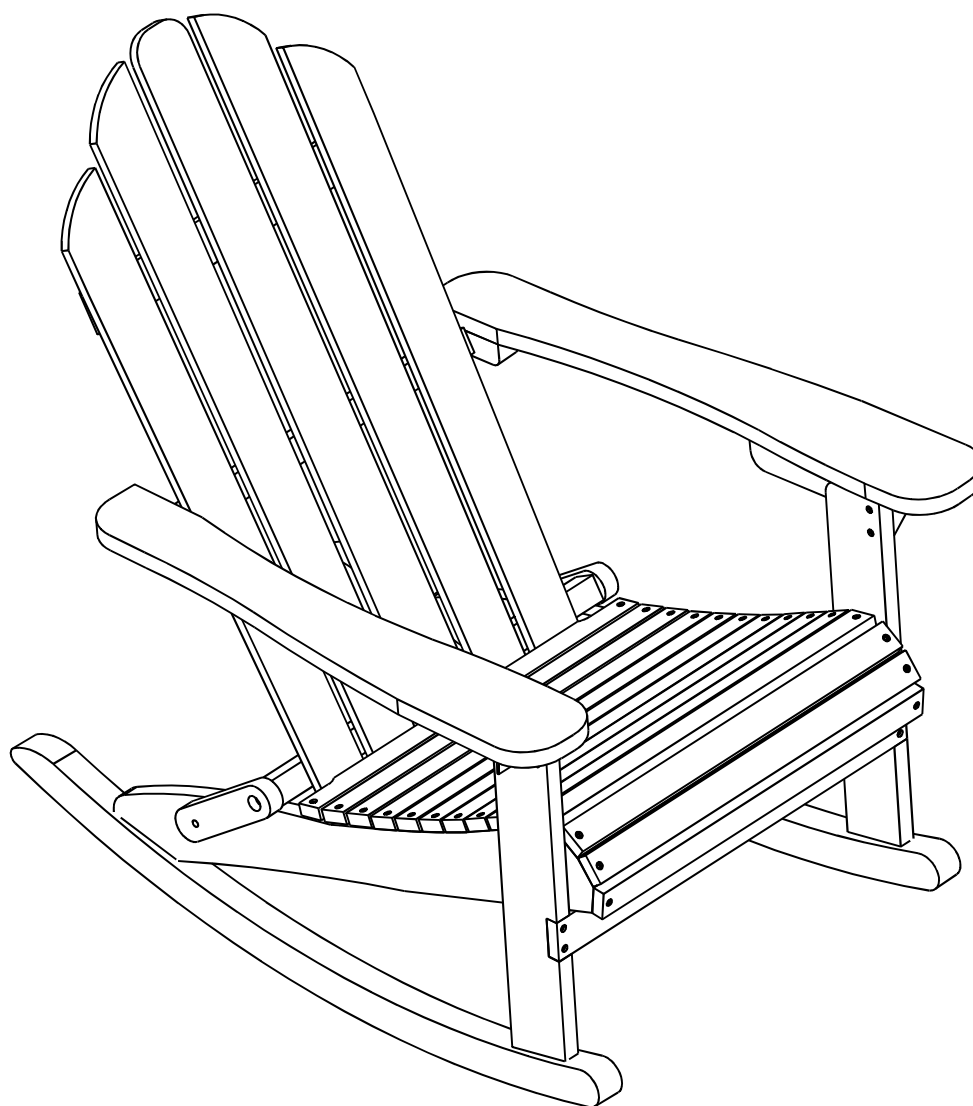


Assembly Instructions

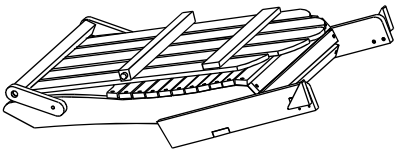

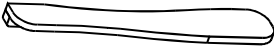

Caution: You must read this before you proceed

ROCKING CHAIR









CAUTION : This Rocking chair is NOT a TOY.
Keep your child / children at bay during the assembly process.
Whenever moving or lifting the Rocking chair and to prevent damage to the Rocking chair, two adults are needed to execute this action.

Parts List

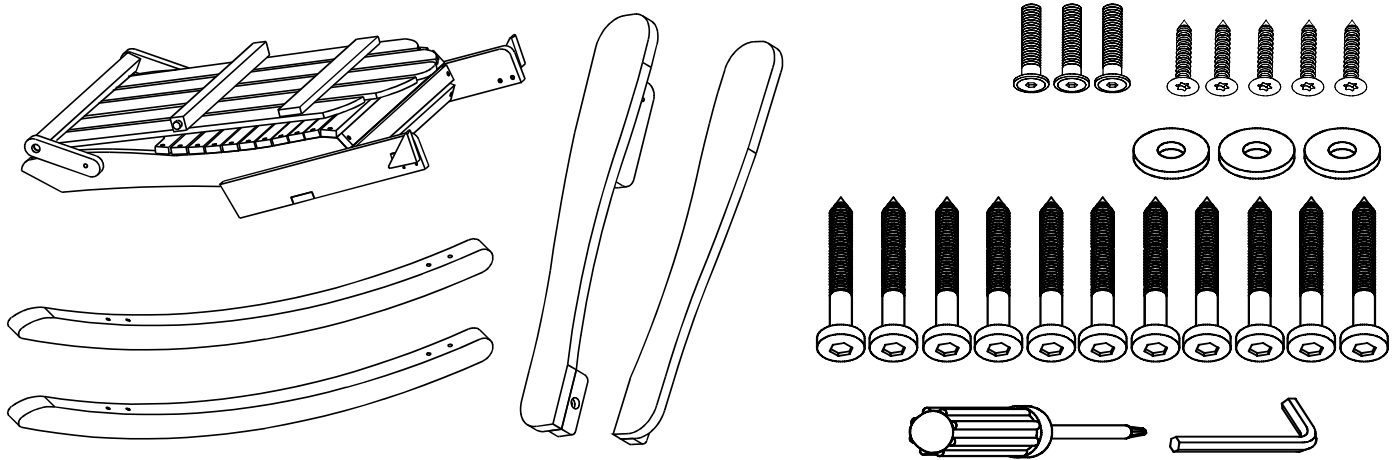
| Label | Picture | Description | QTY |
|-------|---|----------------------------|-----|
| A |  | Foldable Seat and Backrest | 1 |
| B |  | Right Armrest | 1 |
| C |  | Left Armrest | 1 |
| D |  | Rocker | 2 |

Hardware

| Label | Picture | Description | QTY |
|-------|---|----------------------------|-----|
| ① |  | Screw (M4x30mm) | 5 |
| ② |  | Bolt (M6x35mm) | 3 |
| ③ |  | Sleeves Washer (M6x2mm) | 3 |
| ④ |  | Screw (M7x70mm) | 11 |
| ⑤ |  | Allen Key | 1 |
| ⑥ |  | Screwdriver (Not provided) | 1 |

Assembly Preparation

Before Beginning Assembly:



- Read instructions, cover to cover-



- Have 2 adults on hand for assembly-



- Do not assemble on flooring or carpet-



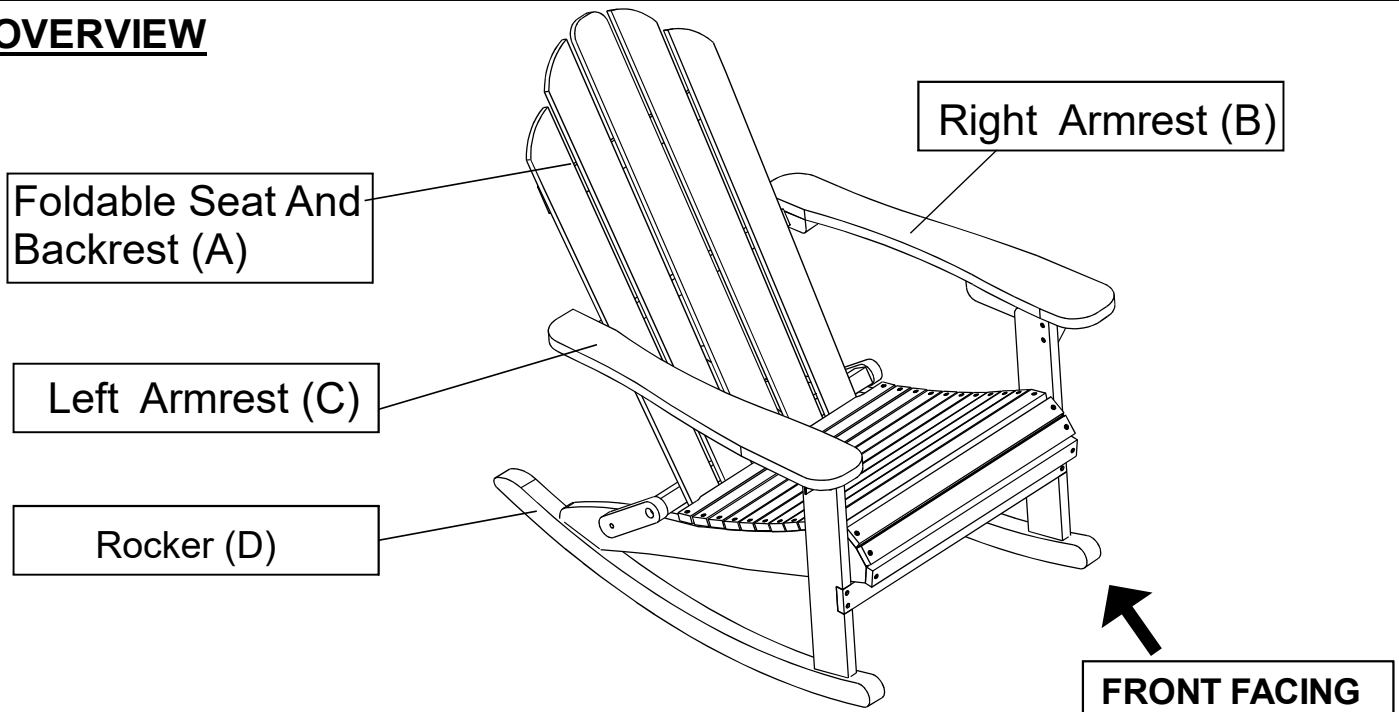
- Assemble on a clean non-marring surface (packing foam)-



- Save all packaging until finished-

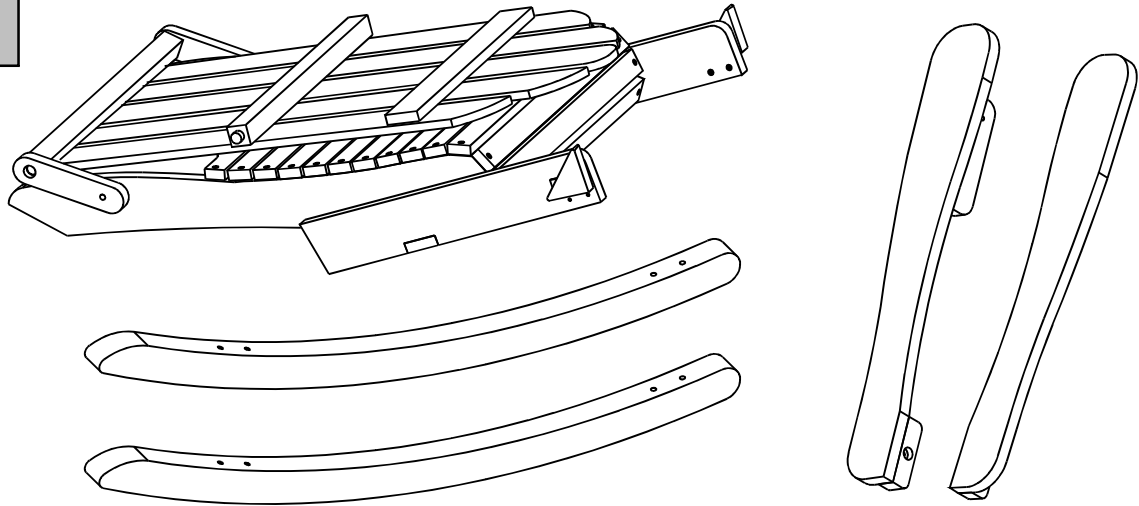
Before Beginning Assembly:

OVERVIEW



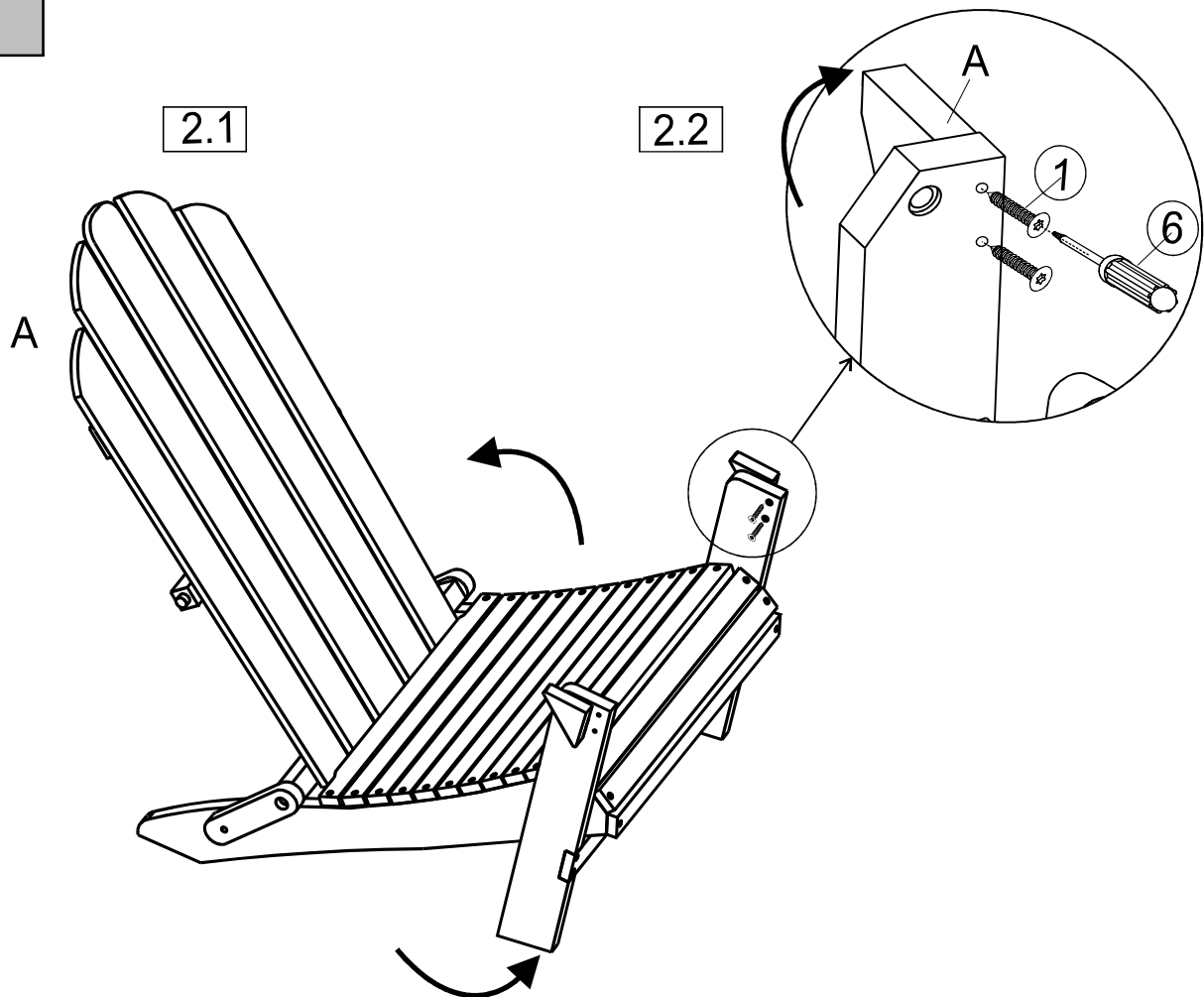
This Rocking Chair has multiple parts and may require up to 30 minutes to assemble. To give you an overview of the Rocking Chair parts, the above picture is to help you put the various parts into perspective. Please read through the instructions below to familiarise yourself with the parts and steps before assembly.

Step 1



Unpack and place all parts on a clean, non-marring surface.

Step 2

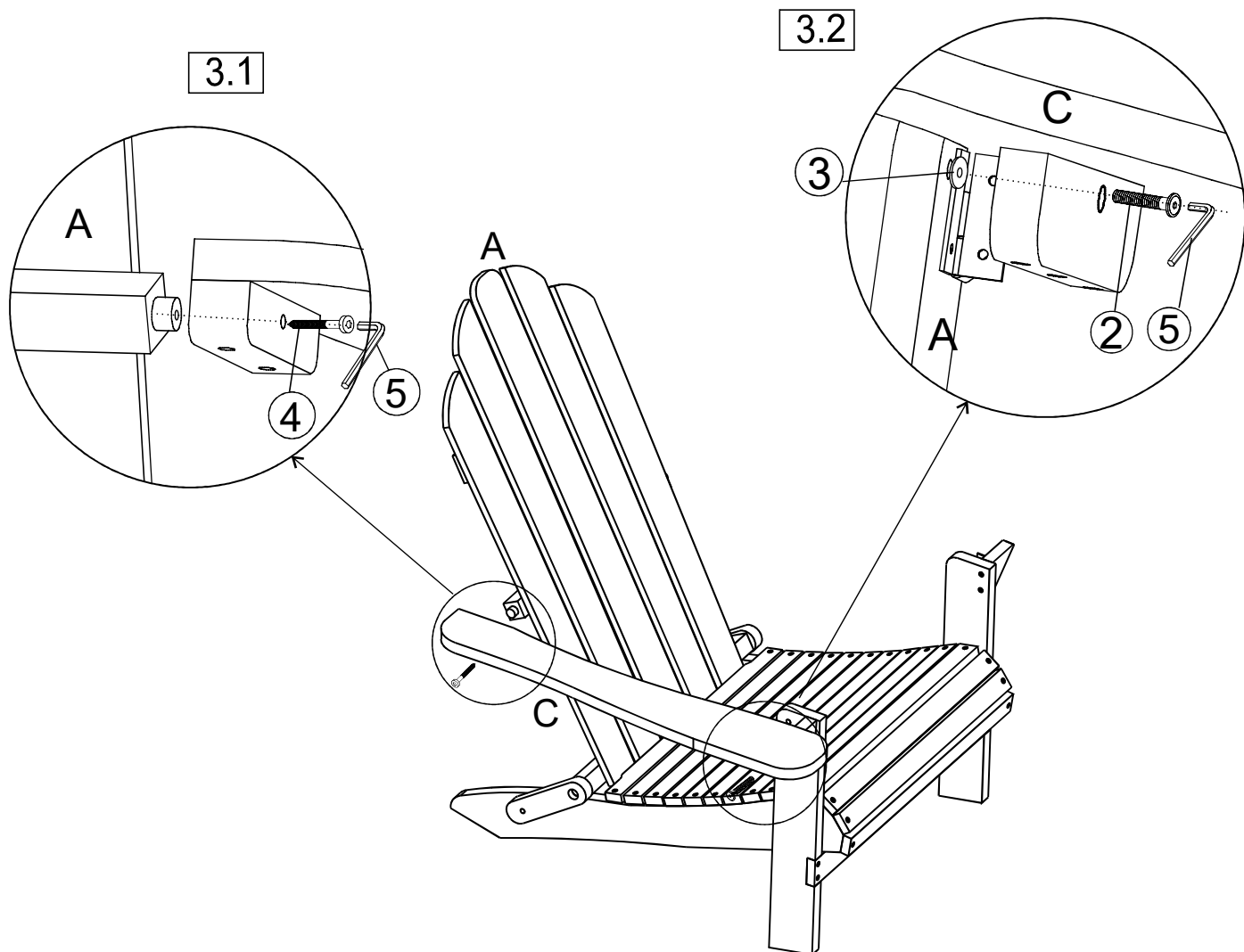


2.1) Open Backrest and Leg as indicated by the arrow

2.2) Fold out the Left and Right Support Corners as indicated by the arrow, then secure using Screws(①) with Screwdriver(⑥).

Do not fully tighten the Screws.

Step 3



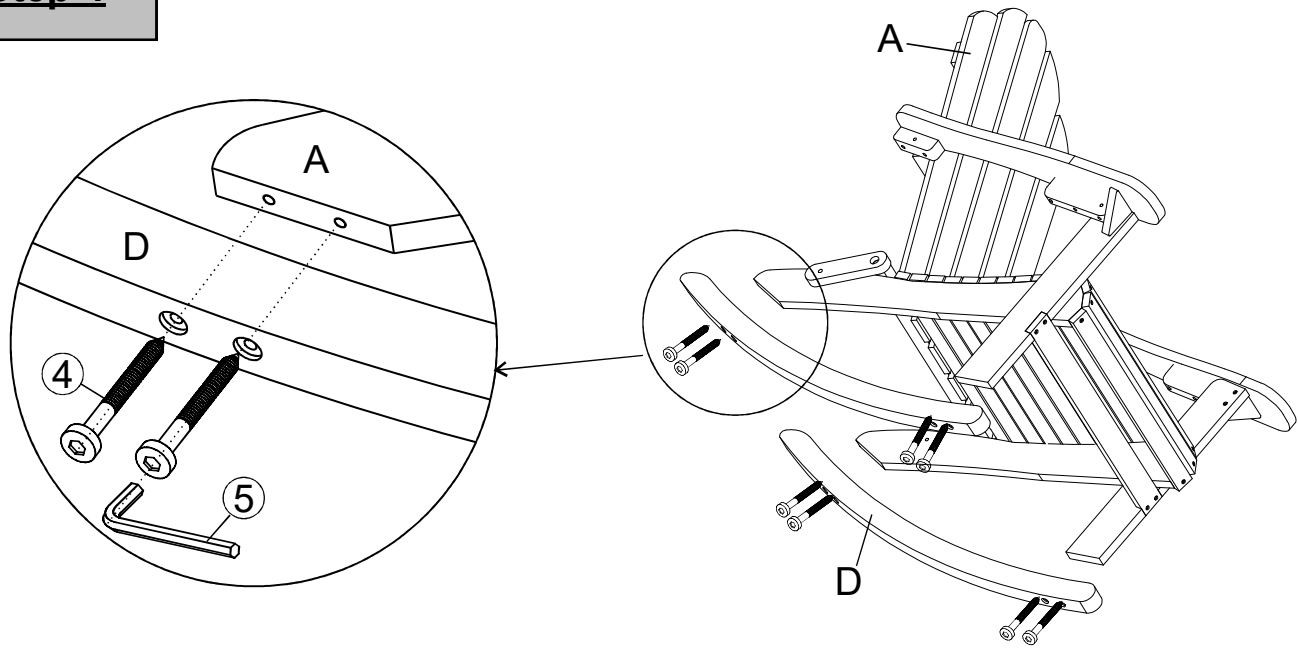
Insert Left Armrest(C) onto tenon on Backrest Support and attach using Screw(④) with Allen Key(⑤).

Attach Left Armrest(C) to Leg of Foldable Seat and Backrest(A) using Bolt(②) and Washer(③) with Allen Key(⑤).

Do not fully tighten the Screw and Bolt.

Repeat the same process with the Right Armrest(B).

Step 4



With help from your adult assistant, lay the Chair down on its side.

Attach Rocker(D) to Left Leg of Foldable Seat and Backrest(A) using Screws(④) with Allen Key(⑤).

Do not fully tighten the Screws.

Repeat the same process with the Right Leg of Foldable Seat and Backrest(A) and Rocker(D).

Step 5



Place the Rocking Chair right side up on a **LEVEL SURFACE**.

Inspect it and make sure all parts are adequately connected.

Gently and gracefully, sit into to the Rocking Chair.










This will help to align all the parts at all joint areas.

Then get off the Rocking Chair and proceed to tighten the Bolts and Screws in a sequential manner.

Your Rocking Chair is ready for use.

This Rocking Chair can only be used on a flat, level surface.

Care & Maintenance

- ⊗  ● Do not put hot items directly on furniture surface.
 - ⊗  ● Do not clean furniture with harsh cleansers or polish.
 - ✓  ● To obtain the longest lifespan of your outdoor products, minimizing exposure to direct sunlight is recommended.
 - ⊗  ● Children should not climb or jump on the furniture.
 - ⊗  ● Do not write on furniture without a padded barrier to protect the surface.
 - ✓  ● To obtain the longest lifespan of your outdoor products, avoid extended and lengthy exposure to rain, snow, and direct sunshine. Whenever possible cover the product and /or place under patio or awnings.
 - ⊗  ● Not for commercial use. For residential use only.
 - ⊗  ● Stains may be removed with mild soap solution and damp cloth.
 - ✓  ● Dust and pick-up spills using a clean, non-colored, lint-free cloth .
-