

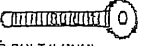



ASSEMBLY INSTRUCTION

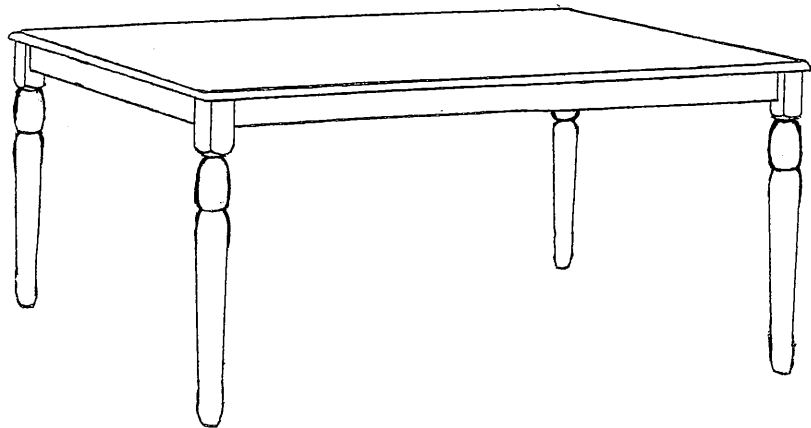
ALBURY TURNED LEGS TABLE

IMPORTANT NOTE :

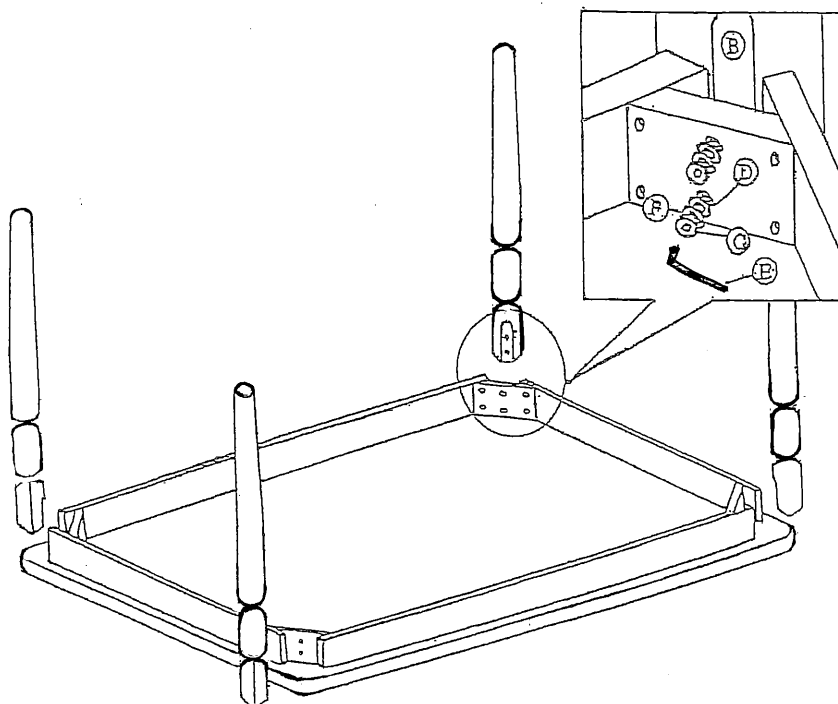
BEFORE YOUR BEGIN, PLEASE READ AND FOLLOW THE ASSEMBLY INSTRUCTIONS CAREFULLY.

- IDENTIFY AND SEPARATE ALL PARTS BEFORE DISCARDING PACKING.
- PLACE WOODEN PARTS ON A CLEAN SOFT SURFACE TO AVOID SCRATCHING THE PARTS.
- **DO NOT USE POWER TOOL FOR ASSEMBLY.**
- AS WITH ALL FURNITURE, OCCASIONALLY CHECK TO INSURE HARDWARE IS TIGHT.

PART LIST		
A	TABLE TOP	1 PC
B	TABLE LEGS	4 PCS
HARDWARE LIST		
C	 JCB BOLT (LONG)	8 PCS
D	 FLAT WASHER	8 PCS
E	 ALLEN KEY	1 PC
F	 SPRING WASHER	8 PCS



ATTACH THE TABLE LEGS (B) TO THE CORNER BLOCK WITH HEX SCREW (C) SPRING WASHER (F) AND FLAT WASHER (D). TIGHTEN THE HEX SCREW (C) BY USING THE HEX WRENCH (E).



Thank you for purchasing our product!

Please assemble the products with the guidance of this manual instruction. Contact our friendly customer service department with any comments or in case there is any missing or damaged parts or hardware. Replacements for missing or damaged parts or hardware are normally shipped within 2 to 3 days.

We appreciate your business!