

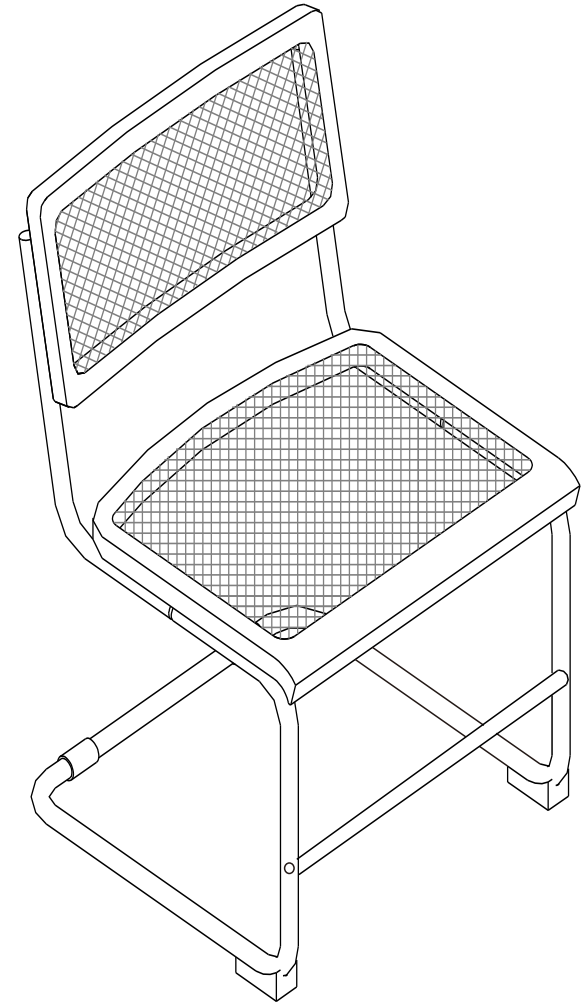
Assembly Instructions

⚠ Before you throw the carton, please ensure that you have all the parts needed for the assembly.

⚠ **Hardware Note:**
1. For each step please don't fully tighten all the screws at first, when they all align to the holes you can fully tighten them.

2. All the bolts should be assembled **vertically** to the holes.

⚠ **Spare parts can be found in the hardware box** if you do not have enough bolts for assembly.

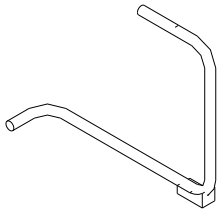


Assembly Instructions

Parts and Hardware

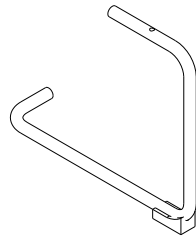
Please check to make sure you have all parts and hardware before starting assembly process.

A



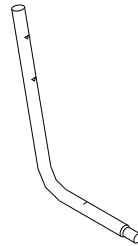
Right leg 2pcs

B



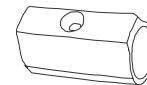
Left leg 2pcs

C



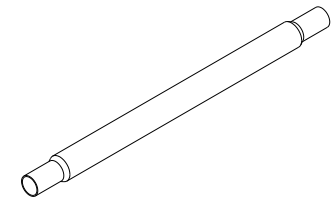
Connection 4pcs

D



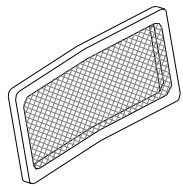
Under legs 4pcs

E



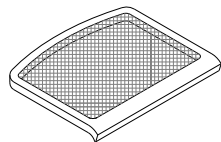
Under connection 2pcs

F



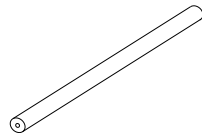
Back 2pcs

G



Seat 2pcs

H



Foot supporter 2pcs

1



Long bolts 20pcs

2



Short bolts 4pcs

3

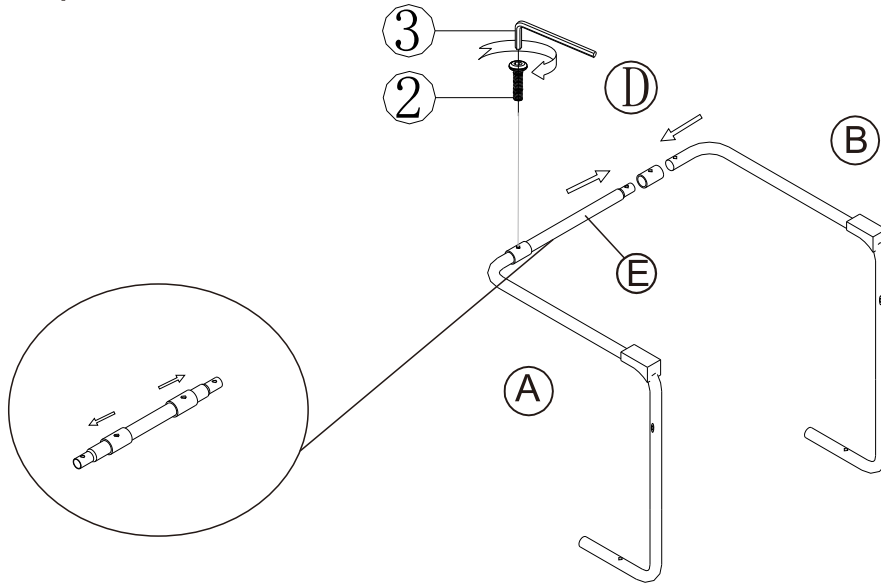


Allen Wrench 1pc

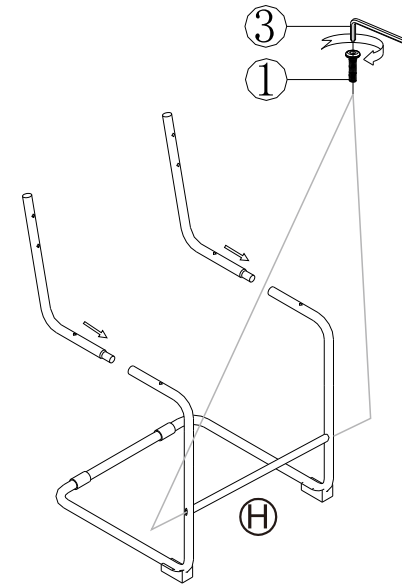
Assembly Instructions

Assembly Instructions

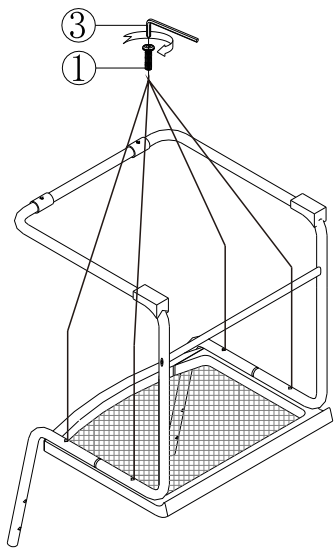
Step 1:



Step 2:

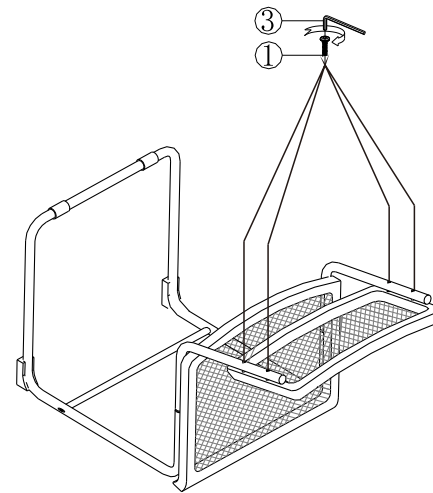


Step 3: Assemble seat to legs.



Do not fully tighten the bolts please be sure you align the holes first!

Step 4: Assemble back to back support connection.



Do not fully tighten the bolts please be sure you align the holes first!

