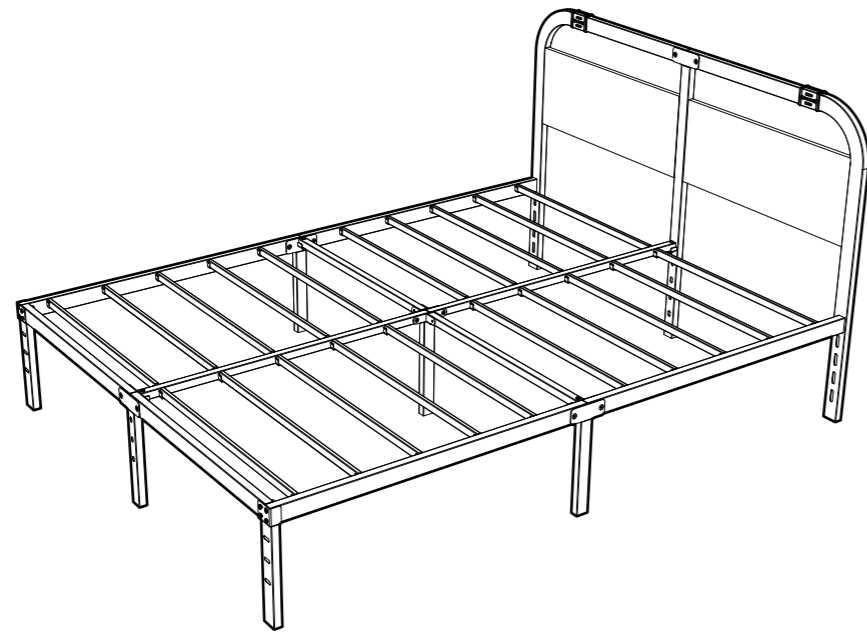


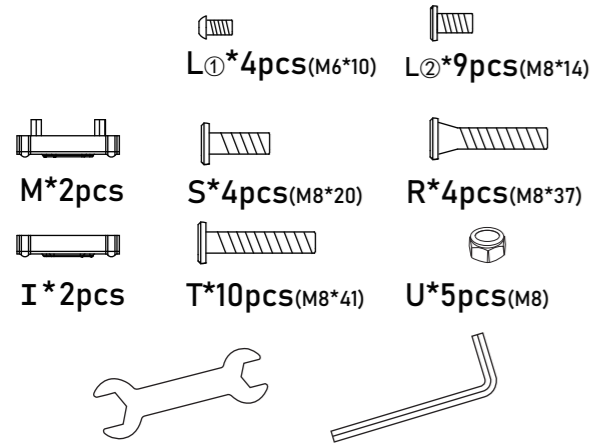
# Platform Bed Set-up Instruction (H5003/ 04/ 05/ 06-C)

SIZE : Full | Queen | King | Cal King

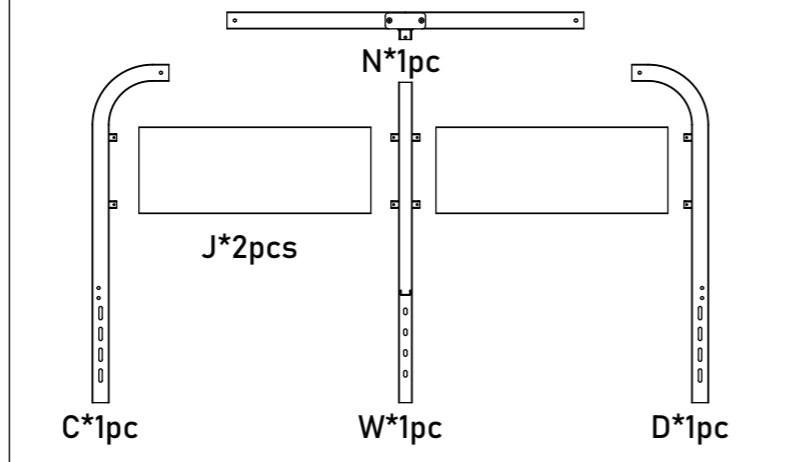


## Component composition

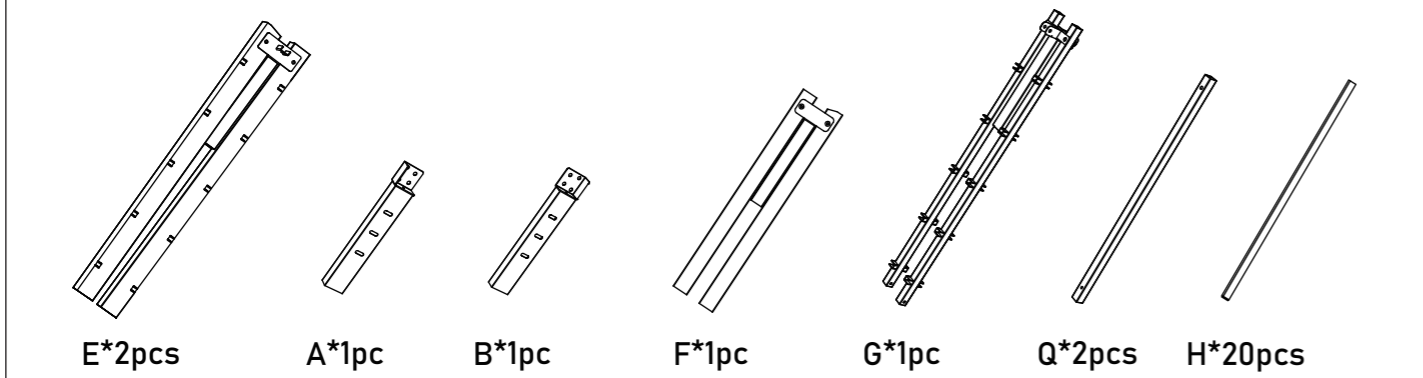
### Accessories List



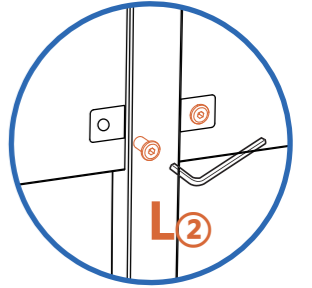
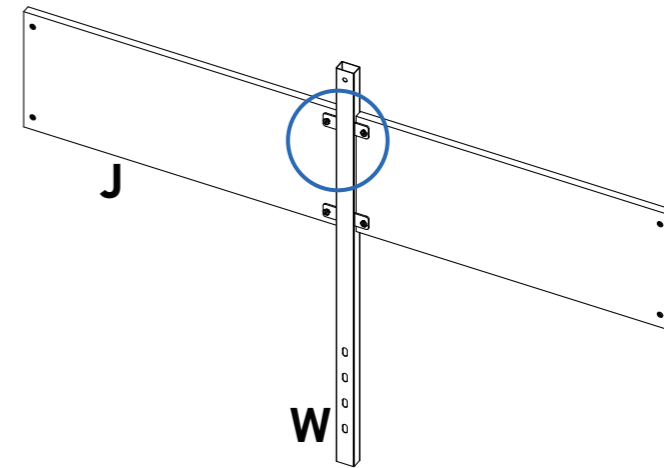
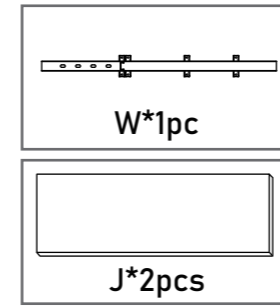
### Headboard List



### Bed Body List

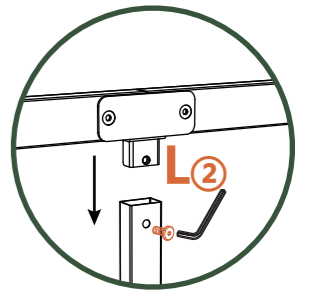
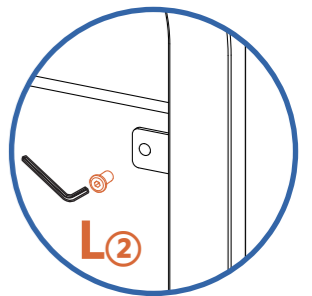
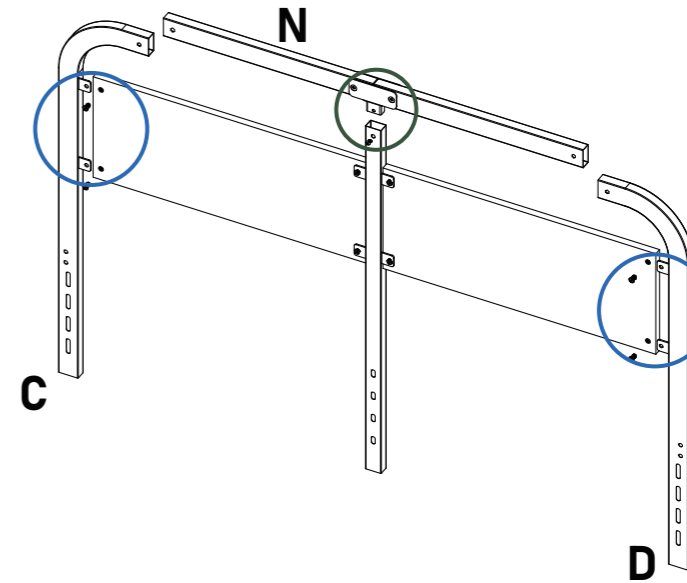
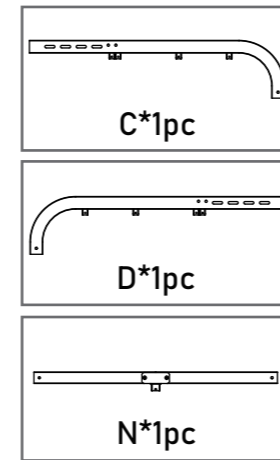


## Step 1-1 (Assemble the headboard)



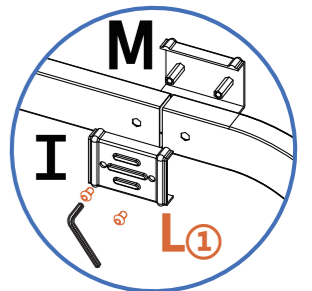
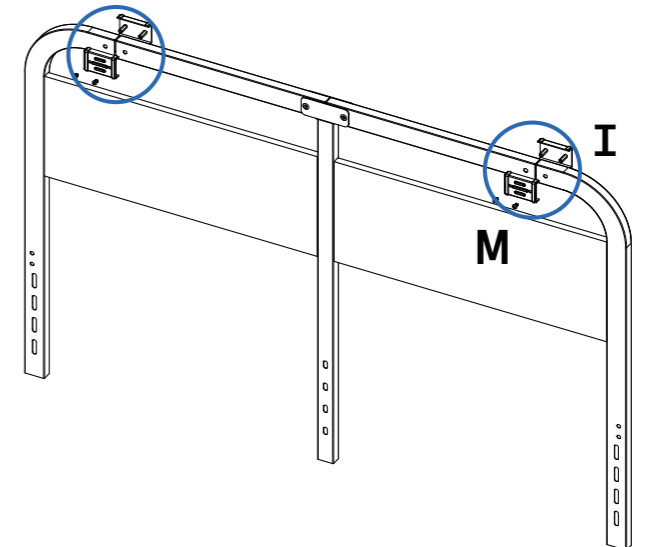
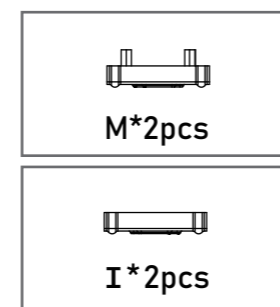
Step 1-1: need L2\*4pcs(M8\*14)

## Step 1-2



Step 1-2: need L2\*5pcs(M8\*14)

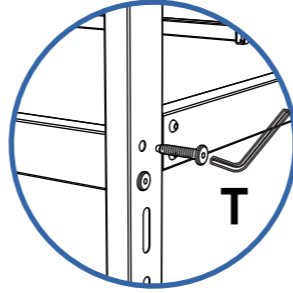
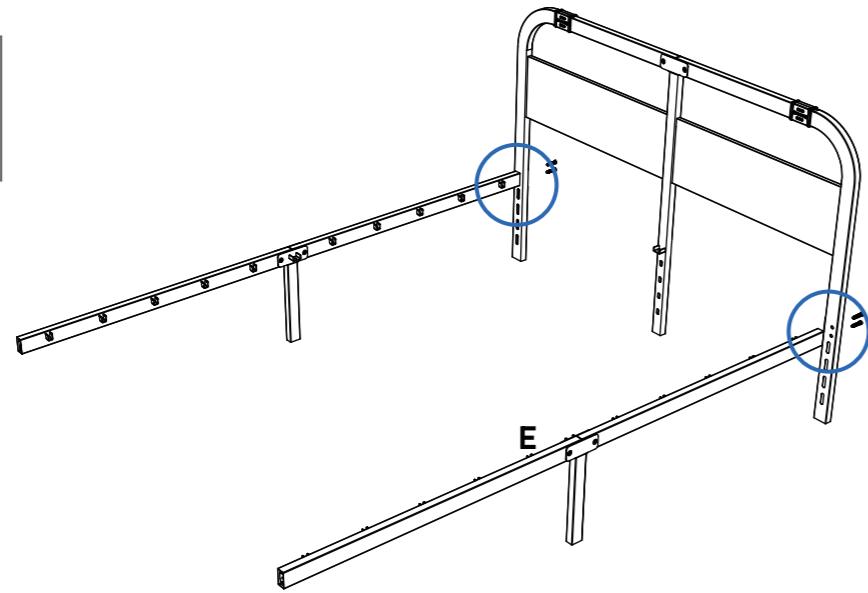
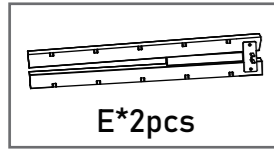
## Step 1-3



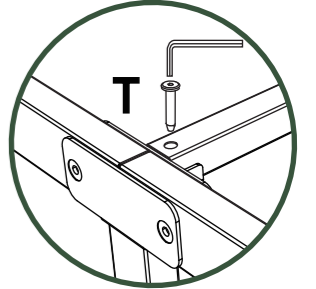
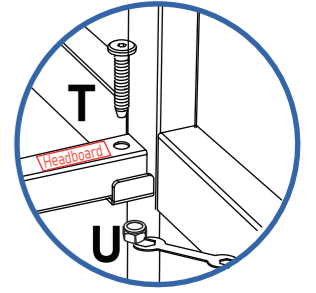
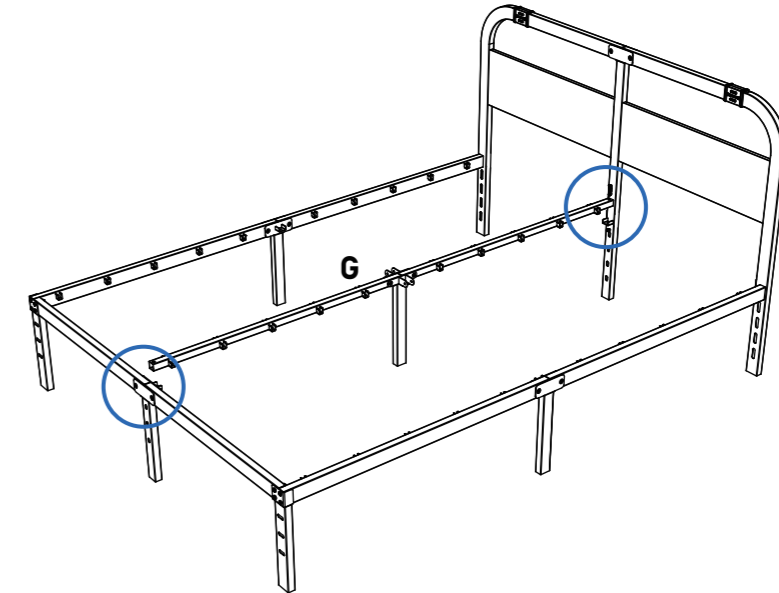
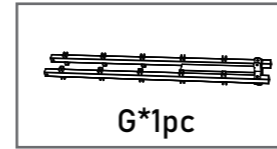
Step 1-3: need L1\*4pcs(M6\*10)

Please do not tighten the screws on headboard until you finish all of assembly to bed frame, which will be helpful for your assembly.

# Step 2



# Step 5



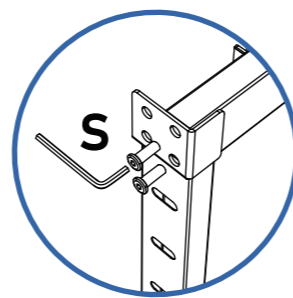
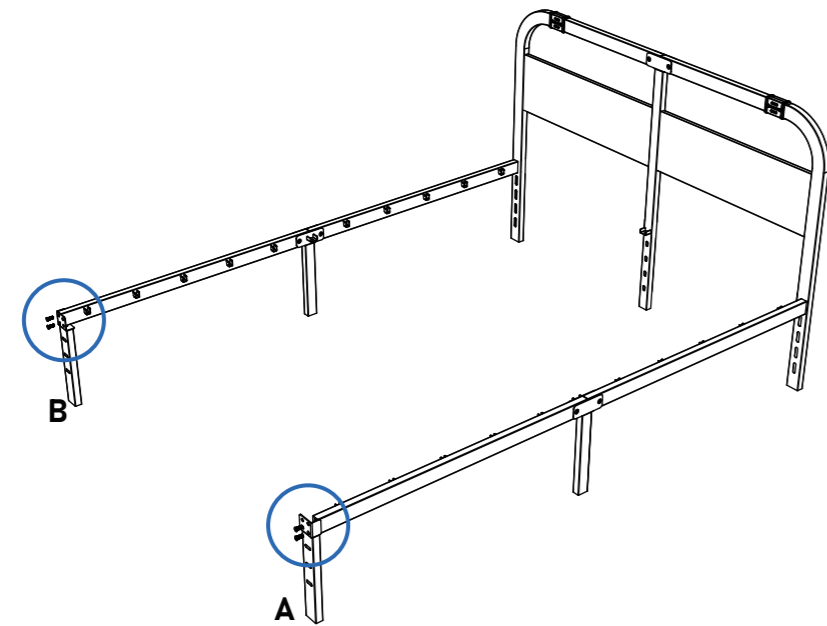
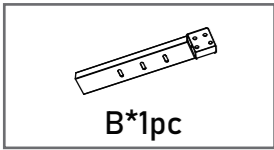
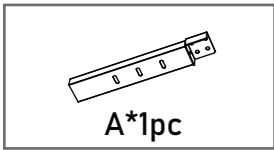
The longer side points to the headboard

Lable: Headboard

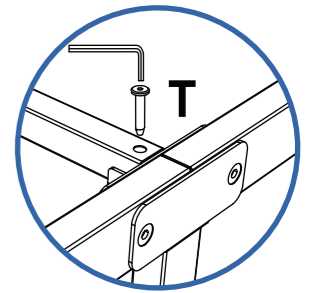
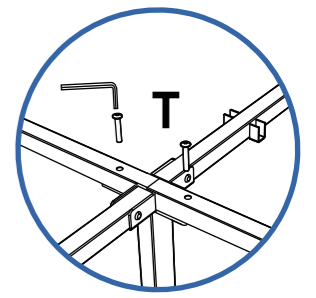
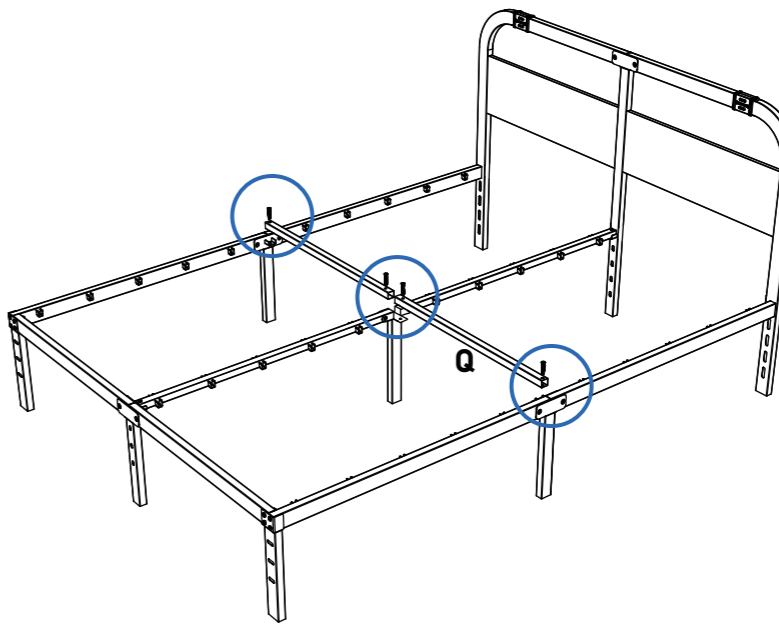
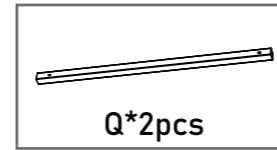
Step 5: need T\*2pcs(M8\*41) U\*1pc

Step 2: need T\*4pcs(M8\*41)

# Step 3



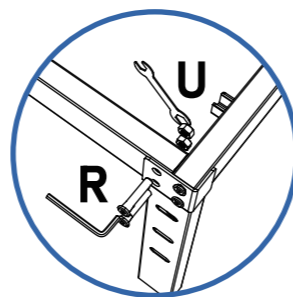
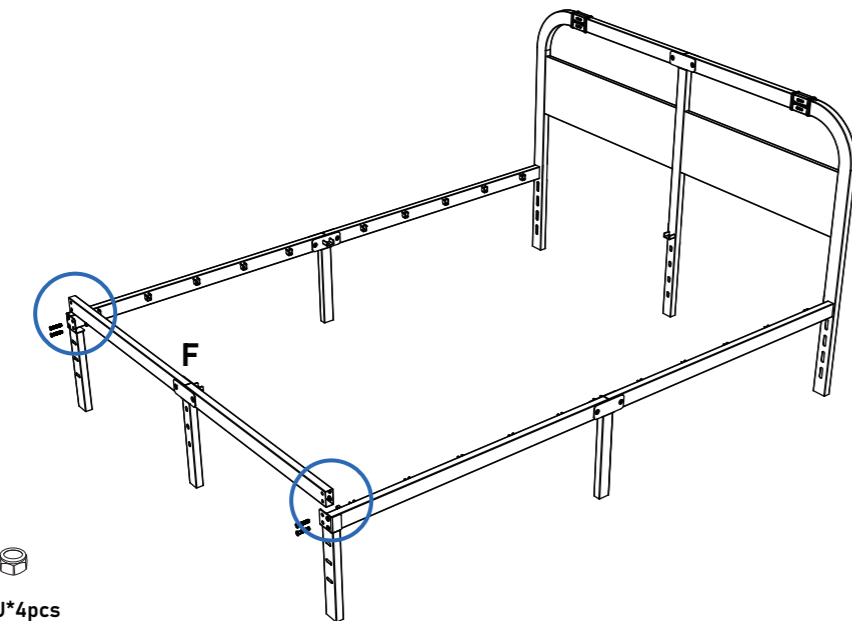
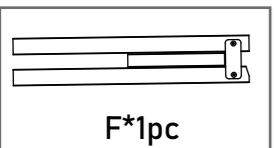
# Step 6



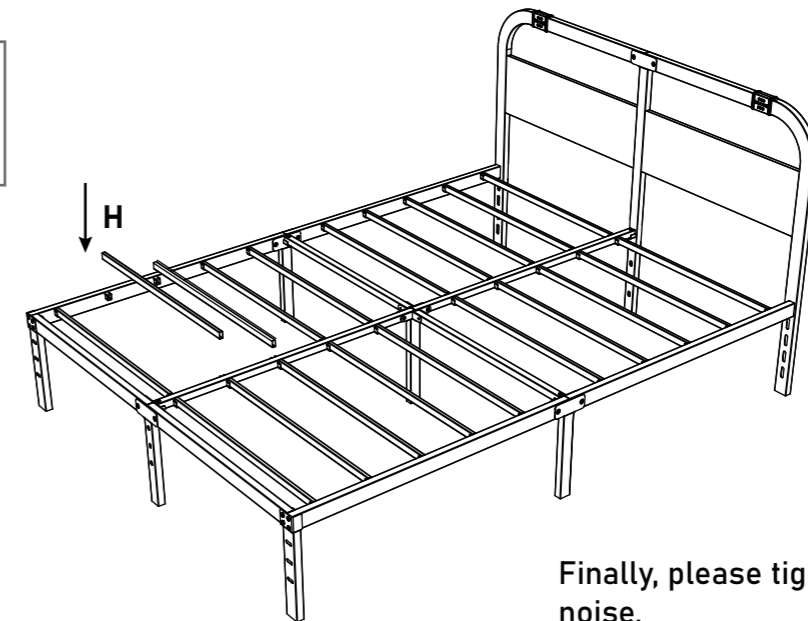
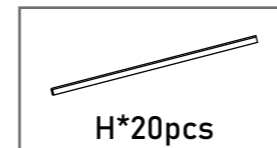
Step 6: need T\*4pcs(M8\*41)

Step 3: need S\*4pcs(M8\*20)

# Step 4



# Step 7



Finally, please tighten all screws to prevent noise.

Step 4: need R\*4pcs(M8\*37) U\*4pcs