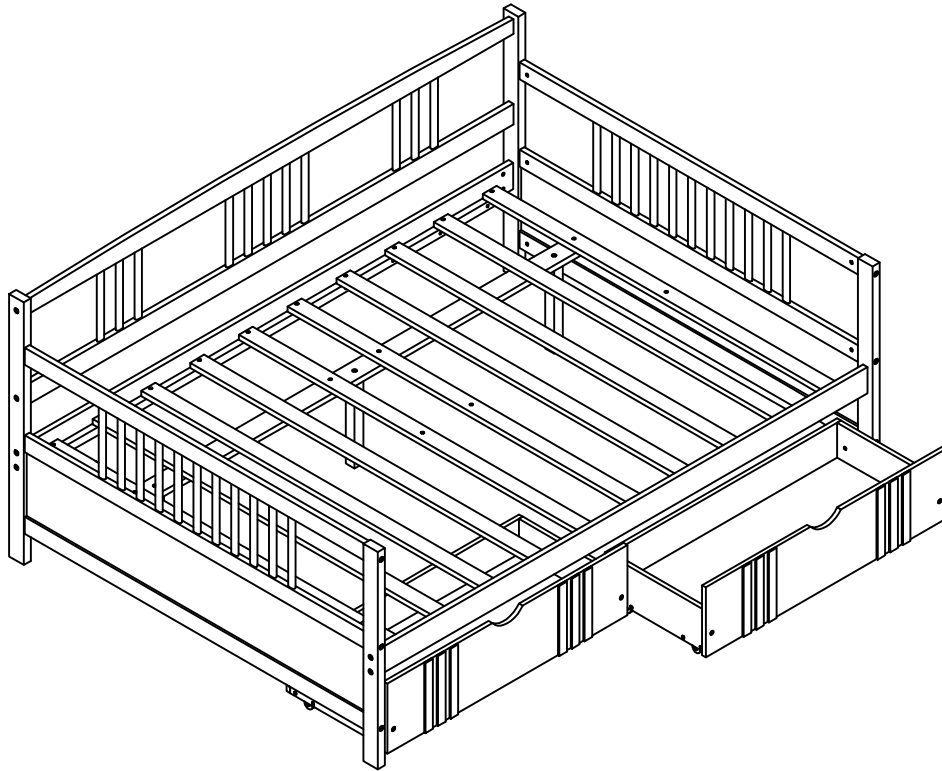
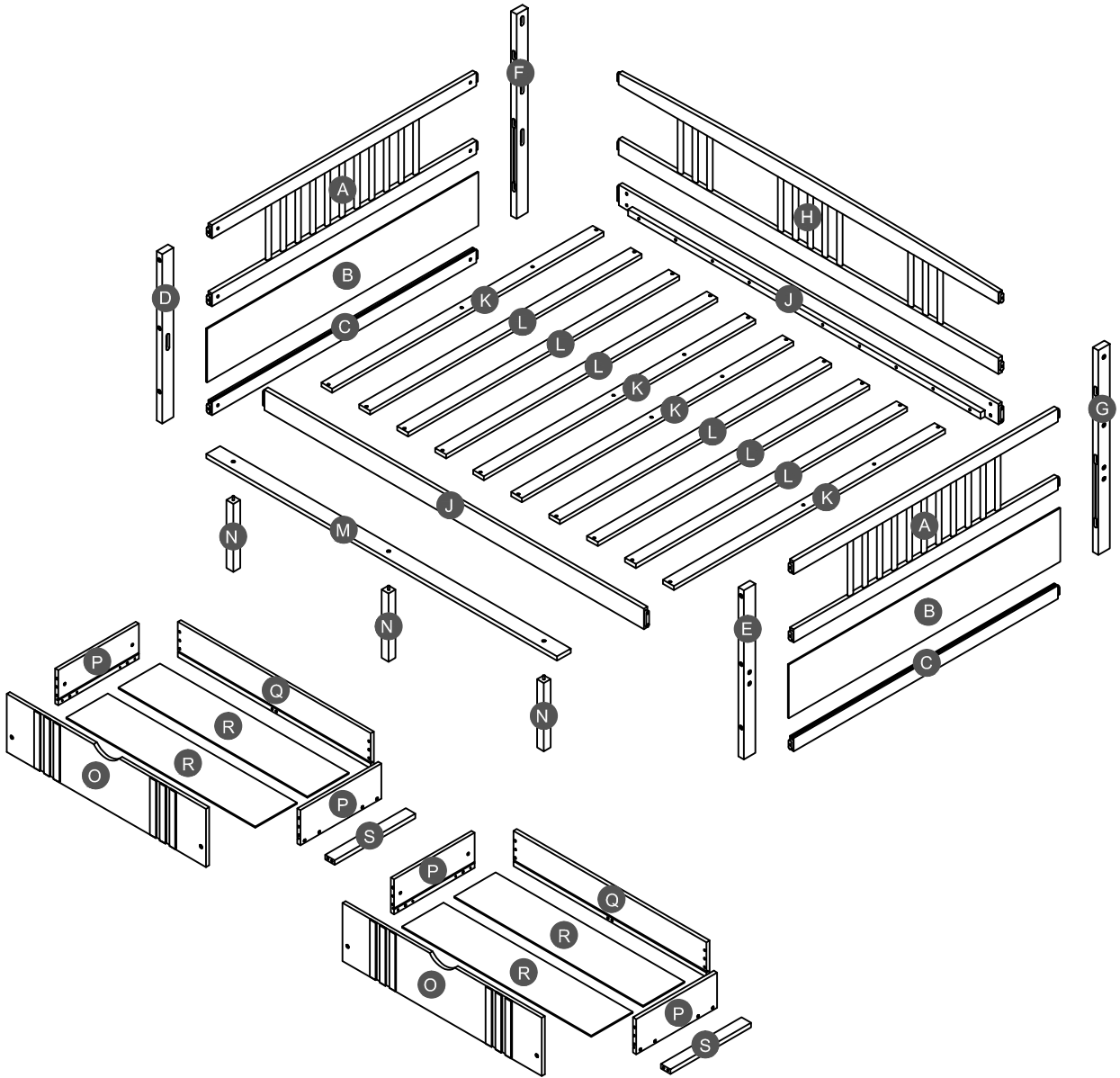


# ASSEMBLY INSTRUCTIONS

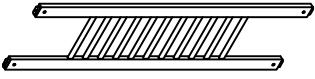
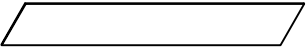

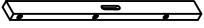
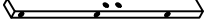
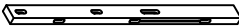
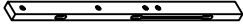
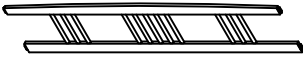


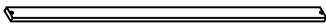
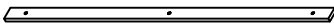
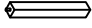

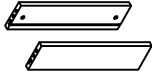

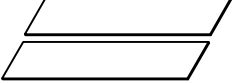
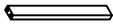
## FULL SIZE DAYBED WITH 2 DRAWERS



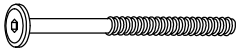
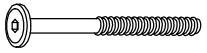
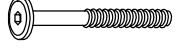
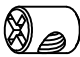


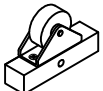
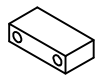
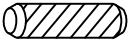

# Detail View



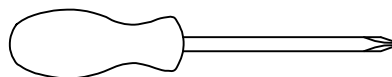
# Part List

<b>A</b>  Frame HB/FB - 2pcs	<b>B</b>  Side panel - 2pcs	<b>C</b>  Horizontal bar - 2pcs
<b>D</b>  Leg (Left Front) - 1pc	<b>E</b>  Leg (Right Front) - 1pc	<b>F</b>  Leg (Left Back) - 1pc
<b>G</b>  Leg (Right Back) - 1pc	<b>H</b>  Long guard rail - 1pc	<b>J</b>  Side rail - 2pcs
<b>K</b>  Slats - 4pcs	<b>L</b>  Slats - 6pcs	<b>M</b>  Lower support slat - 1pc
<b>N</b>  Leg support -3pcs	<b>O</b>  Front drawer panel - 2pcs	<b>P</b>  Left / right drawer panel - 4pcs
<b>Q</b>  Back drawer panel - 2pcs	<b>R</b>  Drawer bottom - 4pcs	<b>S</b>  Support drawer - 2pcs

# Hardware List

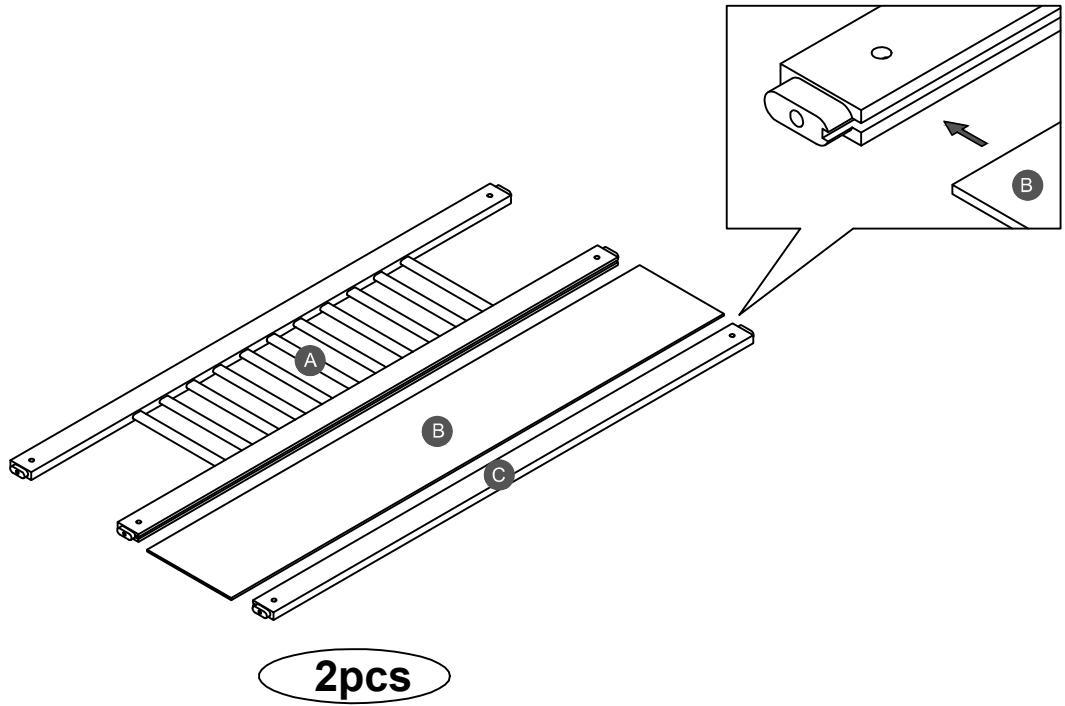
<b>1</b>  (Ø15)1/4"*100mm Hex-Head bolts (12pcs)	<b>2</b>  (Ø15)1/4"*80mm Hex-Head bolts (12pcs)	<b>3</b>  (Ø12)1/4"*60mm Hex-Head bolts (8pcs)
<b>4</b>  1/4"*15 (9.5mm) Horizontal-Hole bolts(32pcs)	<b>5</b>  (1/4")4.5*58mm Allen key (1pc)	<b>6</b>  Ø4*30mm Wood screws (46pcs)
<b>7</b>  100*54*20 mm Wheels (8pcs)	<b>8</b>  70*35*19 mm Drawer stopper (3pcs)	<b>9</b>  Ø8*30mm Wood dowel (24pcs)
<b>10</b>  Ø10*20mm Wood dowel (8pcs)		

## ASSEMBLY TOOLS REQUIRED ( NOT INCLUDED )





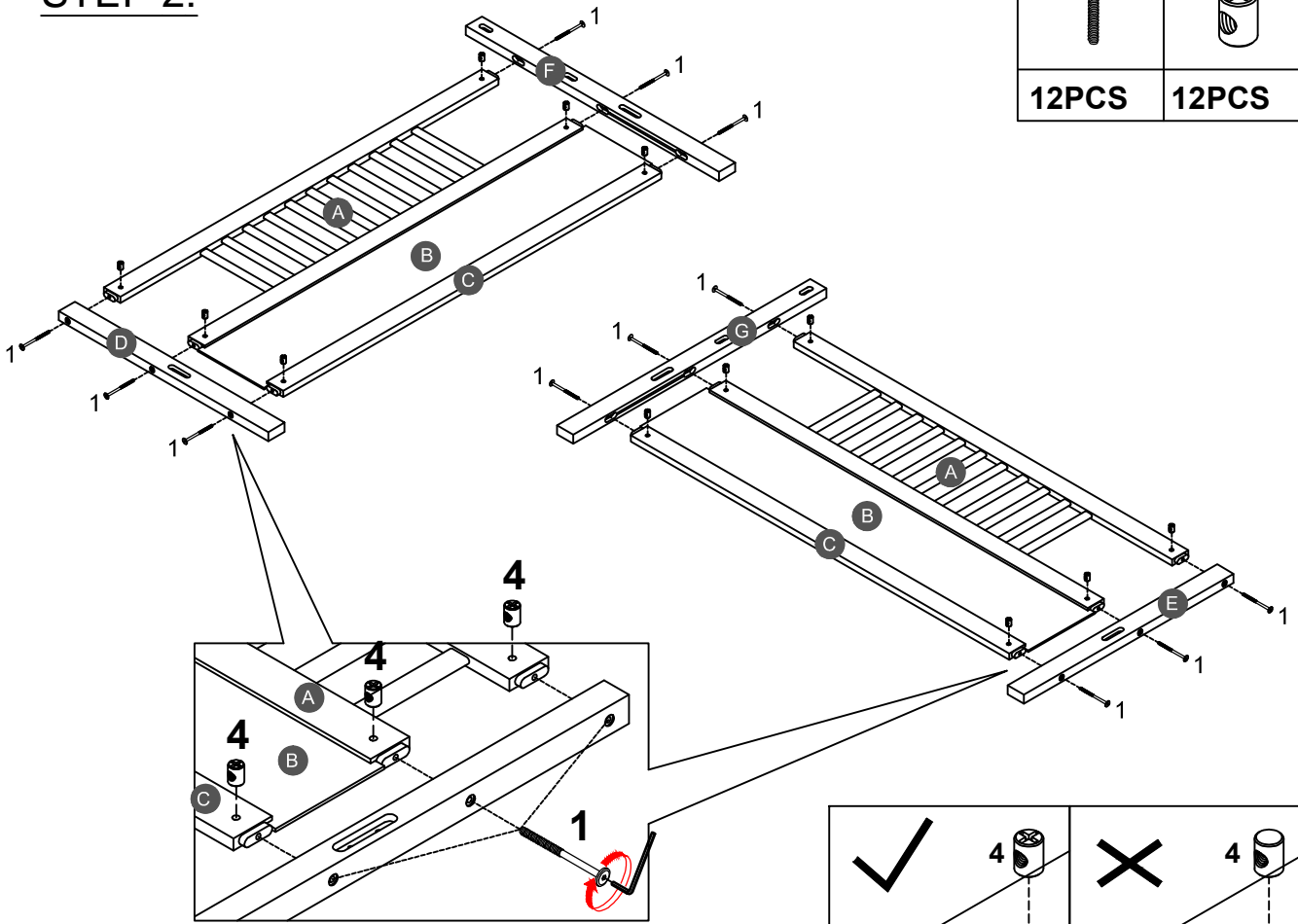
PLEASE BE CAREFUL DO NOT DAMAGE THE HOLE POSITION WHEN YOU USE POWER TOOLS !

**STEP 1:**

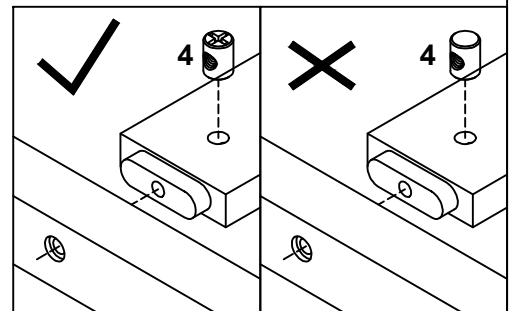


**STEP 2:**


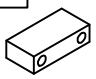
<b>1</b>	<b>4</b>
	
<b>12PCS</b>	<b>12PCS</b>

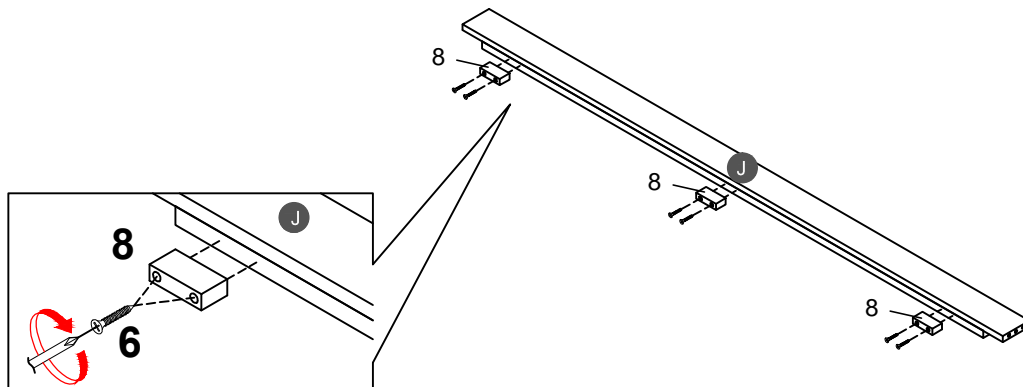


Note: Part 4 will face up with the "x" mark on it, otherwise it cannot be tightened





### STEP 3:

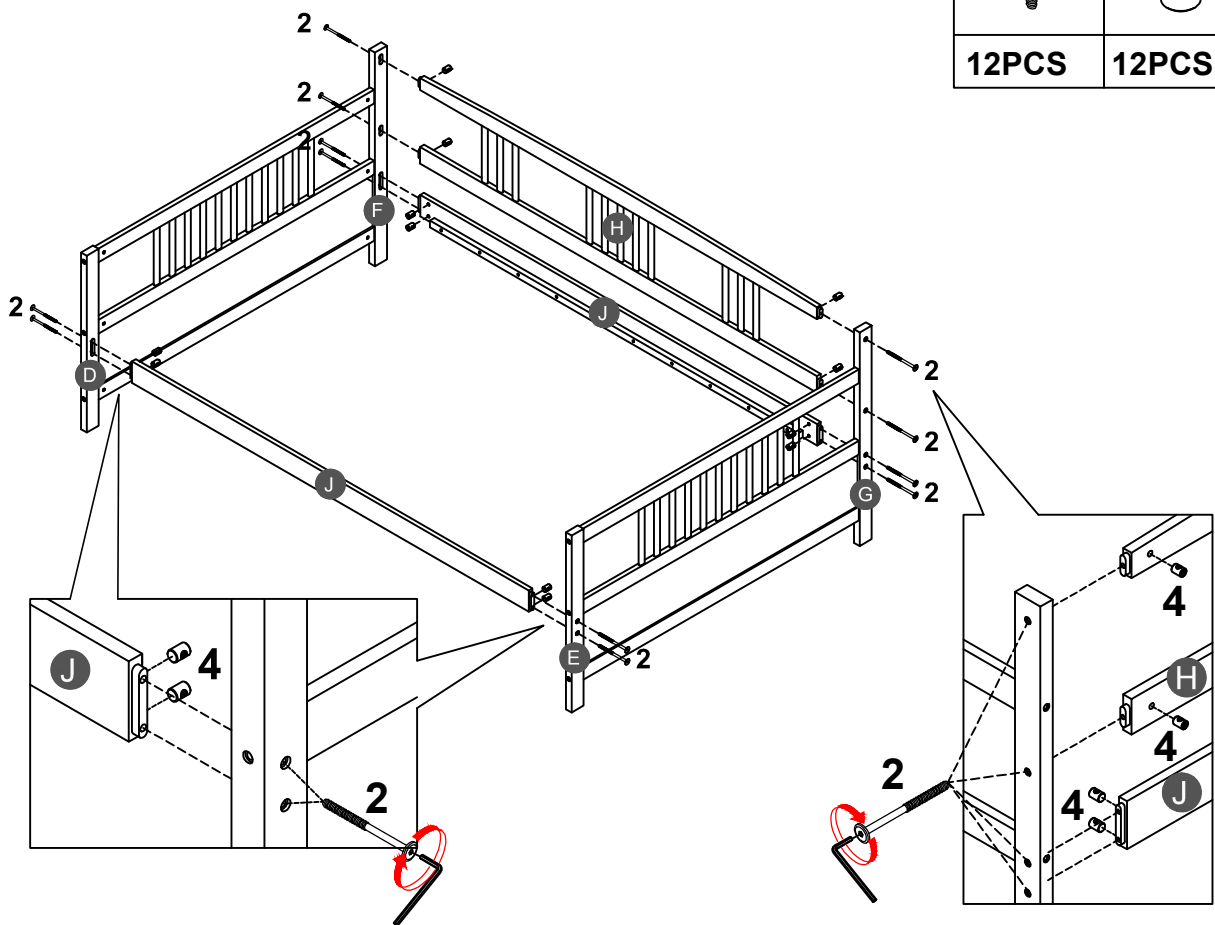
<b>6</b> 	<b>8</b> 
<b>6PCS</b>	<b>3PCS</b>



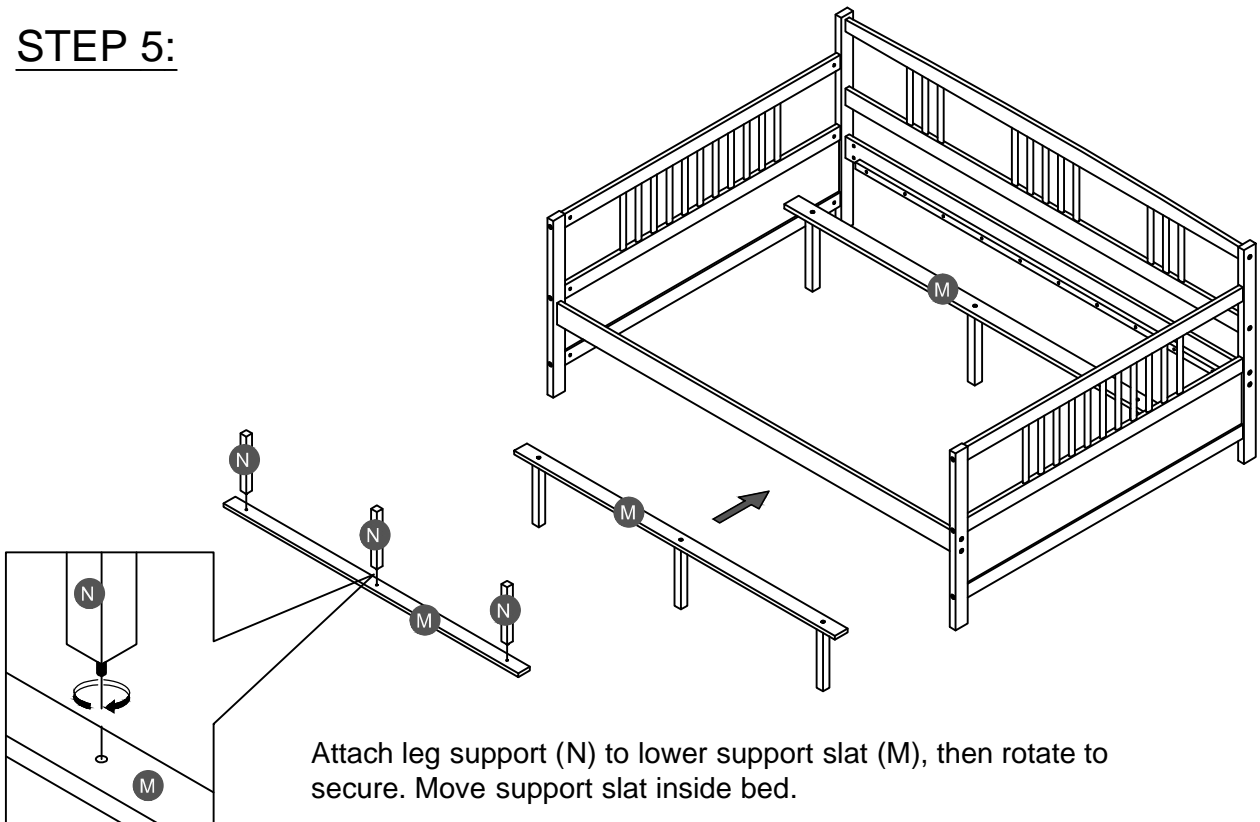
Drawer stopper (8) with lower side rail front (J) by using screw (6).

### STEP 4:

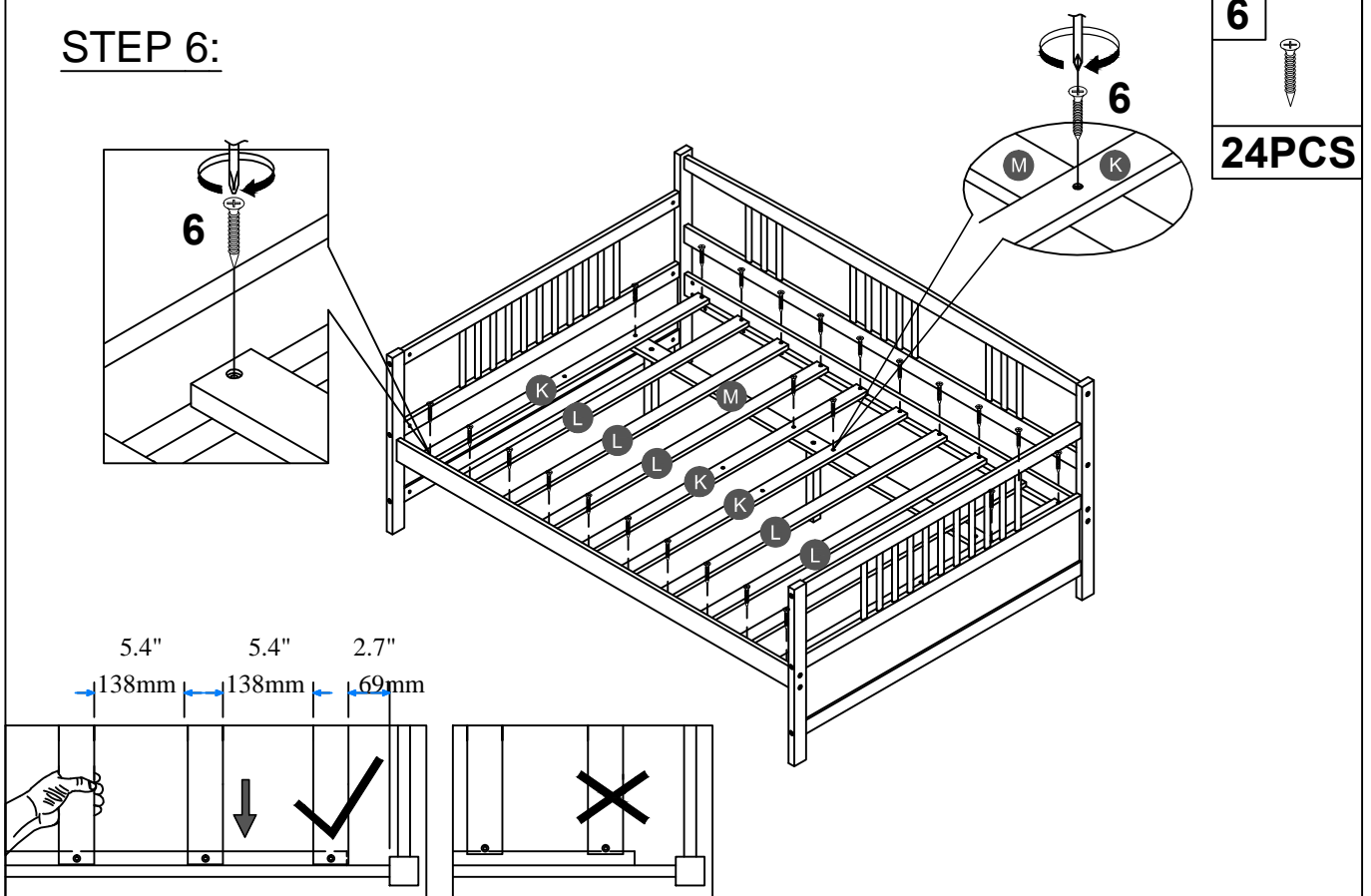
<b>2</b> 	<b>4</b> 
<b>12PCS</b>	<b>12PCS</b>



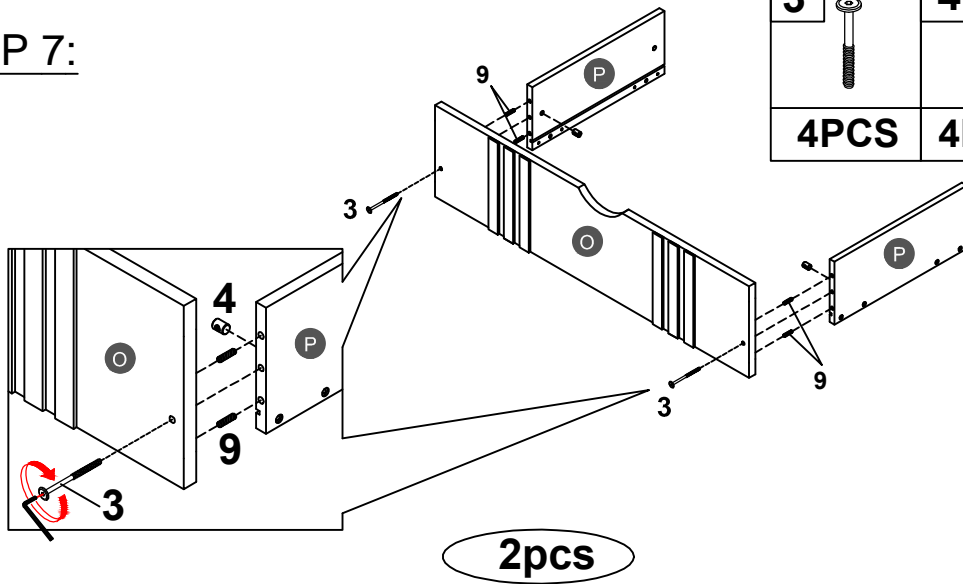
## STEP 5:



## STEP 6:

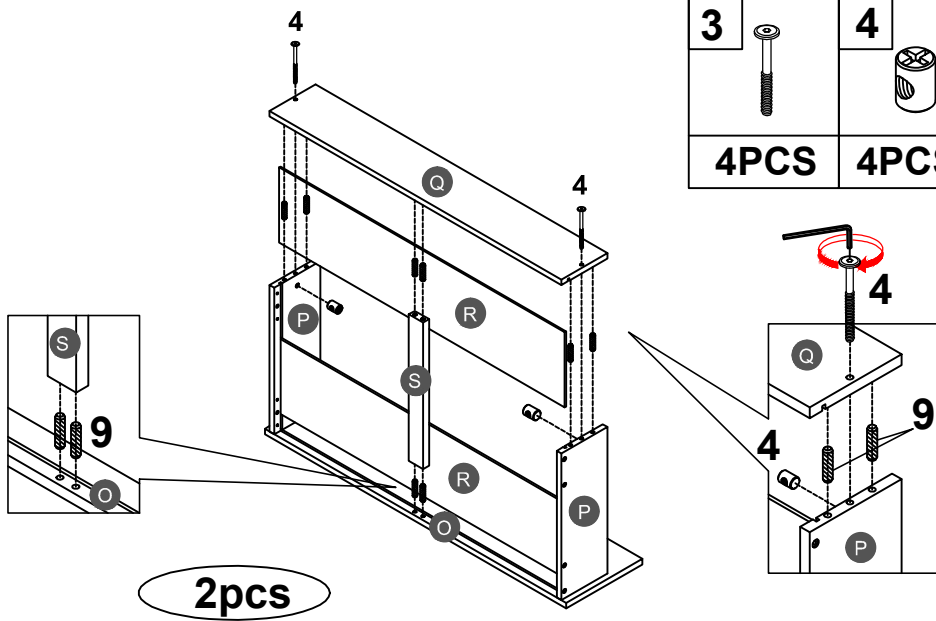


**STEP 7:**



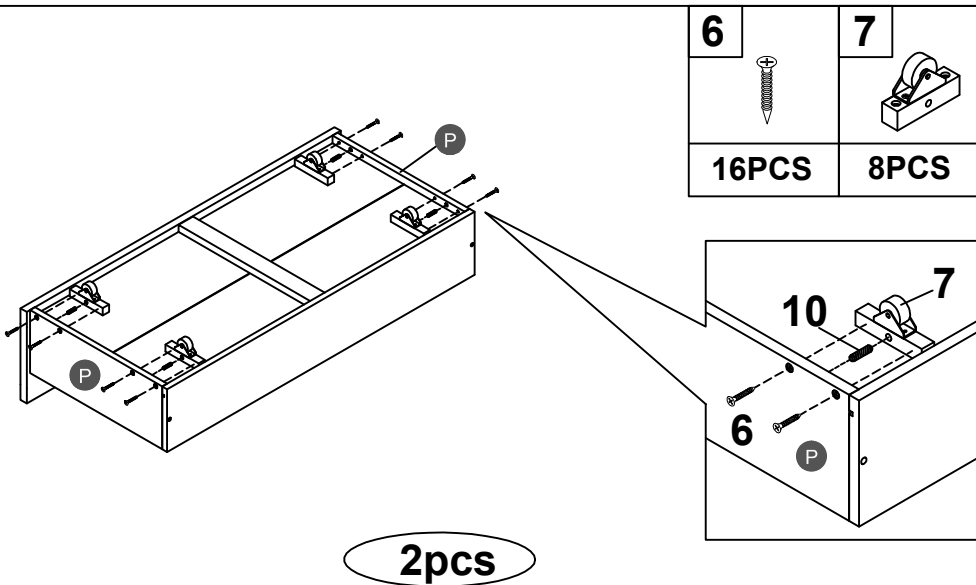
<b>3</b>		<b>4</b>		<b>9</b>	
<b>4PCS</b>		<b>4PCS</b>		<b>8PCS</b>	

**STEP 8:**



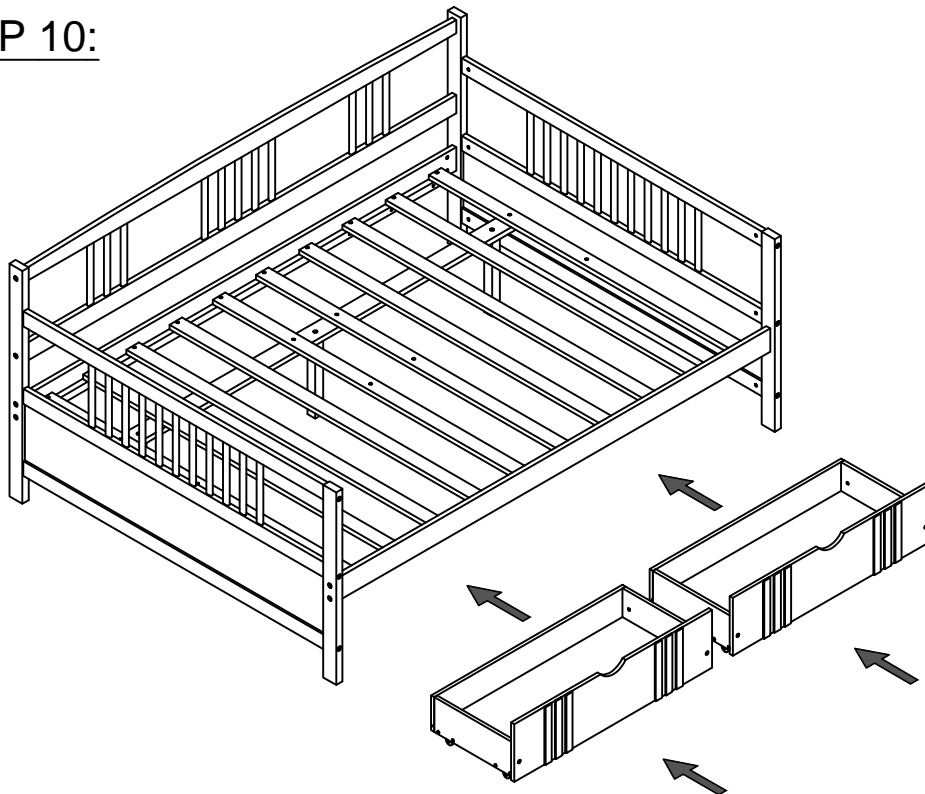
<b>3</b>		<b>4</b>		<b>9</b>	
<b>4PCS</b>		<b>4PCS</b>		<b>16PCS</b>	

**STEP 9:**

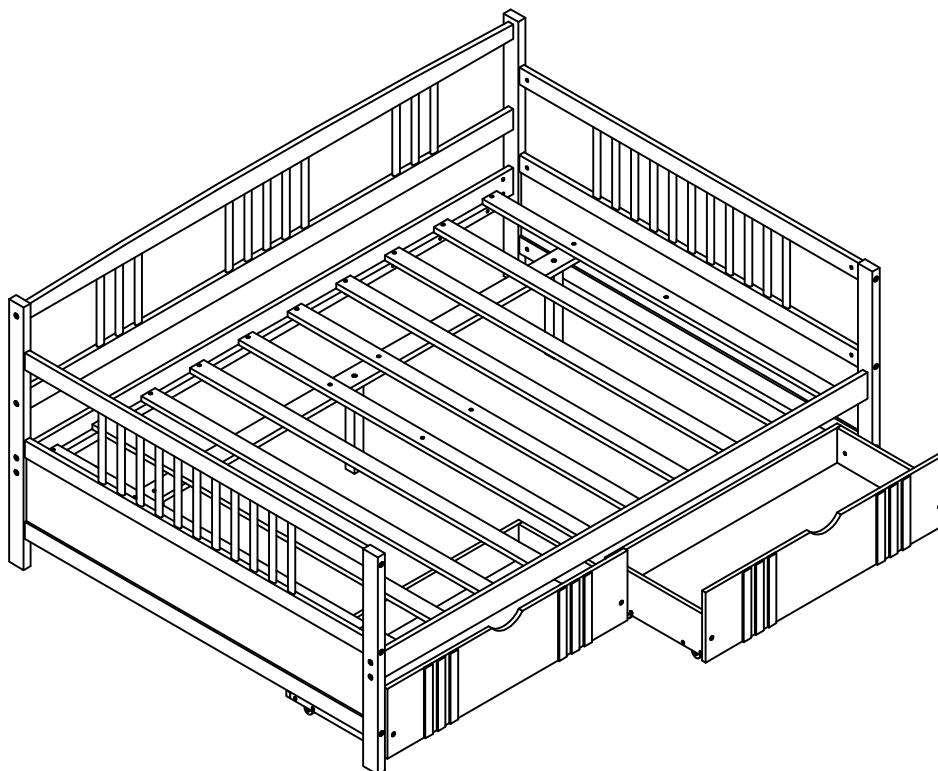


<b>6</b>		<b>7</b>		<b>10</b>	
<b>16PCS</b>		<b>8PCS</b>		<b>8PCS</b>	

**STEP 10:**



Push drawers under the bottom of daybed.



**Make sure to tighten all the screws of the bed.**