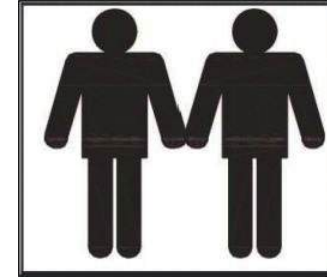
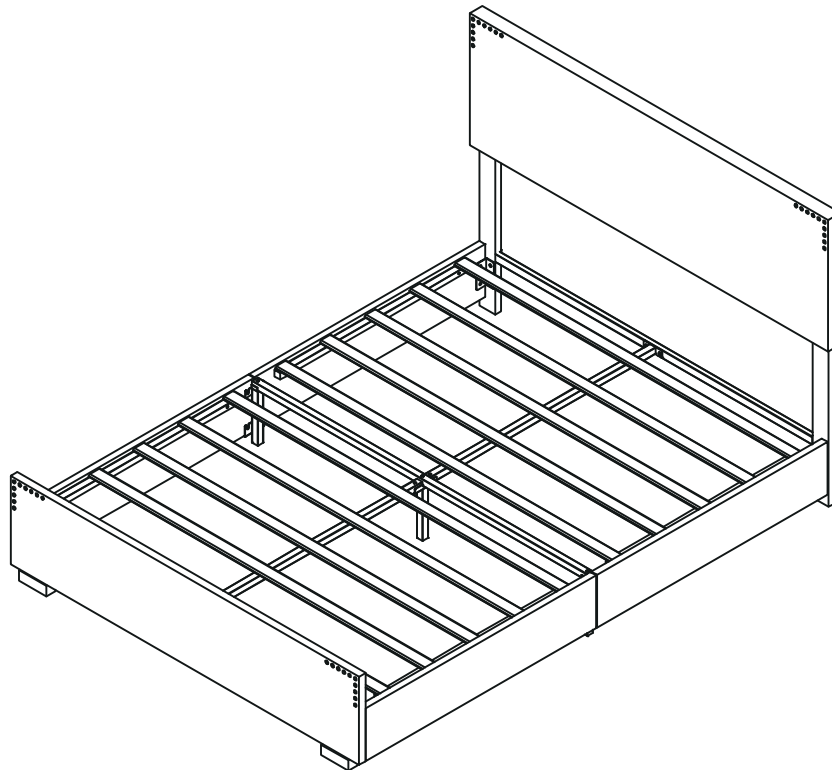


Assembly Instruction

Note:

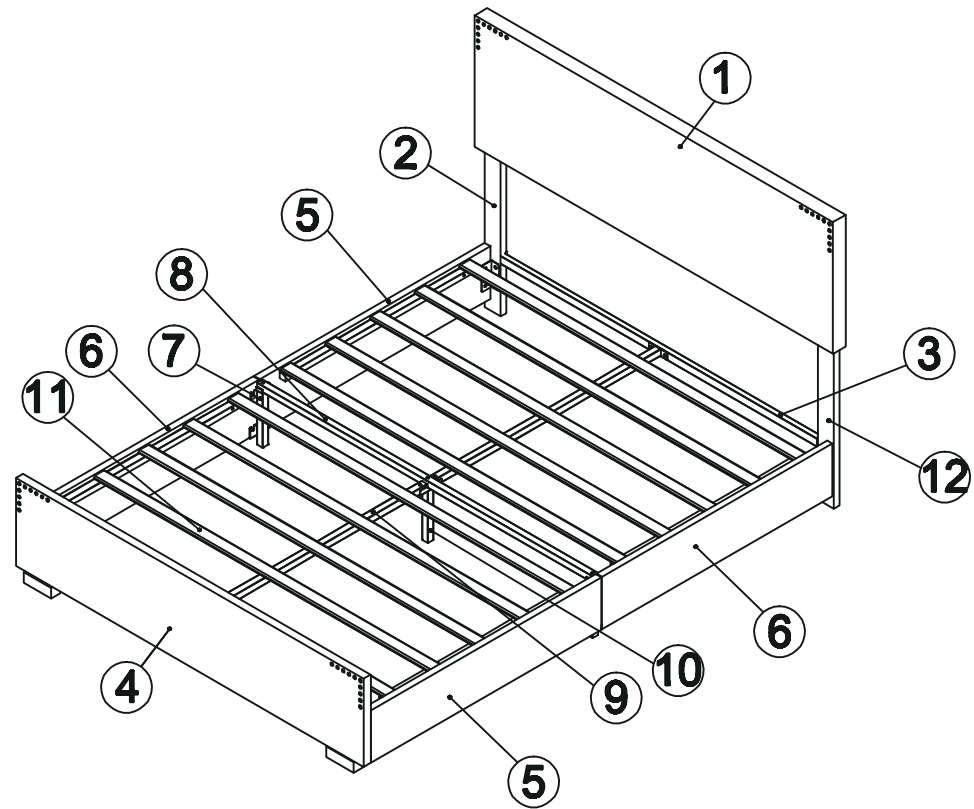
- 1. Should be assembled on flat ground to keep balance.**
- 2. Before completing the installation, do not tighten the screws.**



It needs at least two people to install.



Before starting the assembly, you must read the whole manual and follow the instructions.



Assembly Instruction

Hardware arts



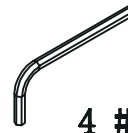
Ⓐ M8x20
22pcs



Ⓑ M8x35
4pcs

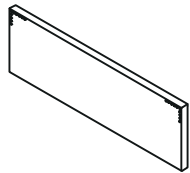


Ⓒ M8x45
5pcs



Ⓓ 4 #
1pc

Part list



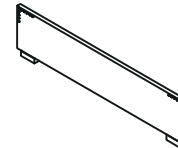
① 1 PC



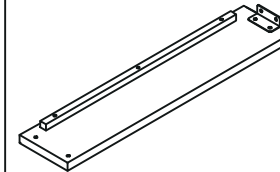
② 1 PC



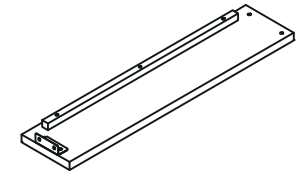
③ 1 PC



④ 1 PC



⑤ 2 PCS



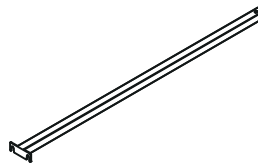
⑥ 2 PCS



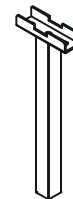
⑦ 2 PCS



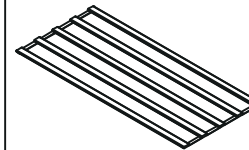
⑧ 1 PC



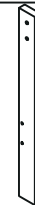
⑨ 2 PCS



⑩ 1 PC



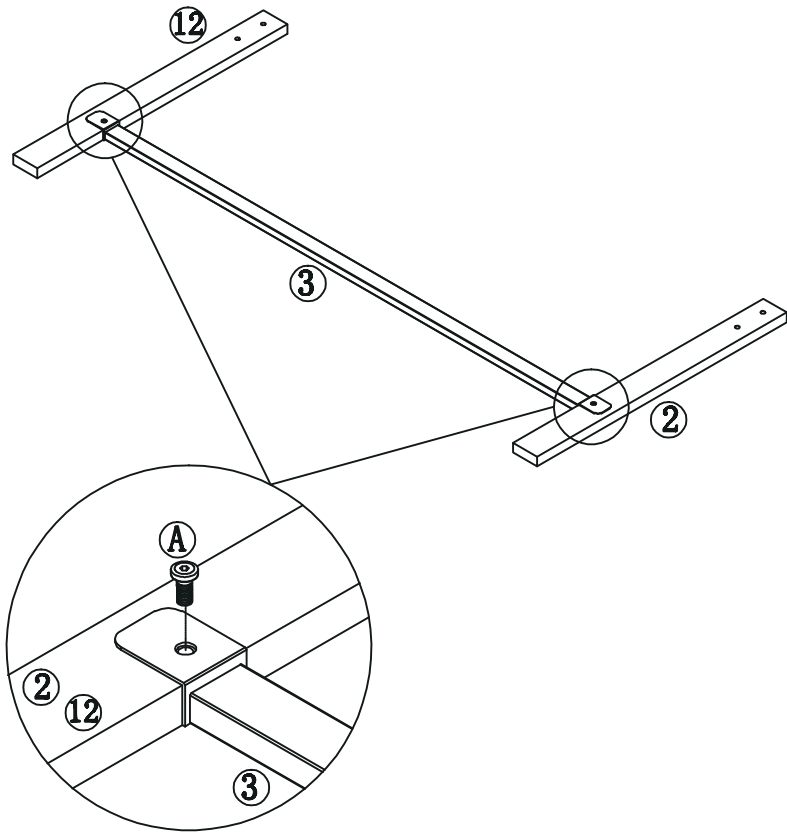
⑪ 2 PCS



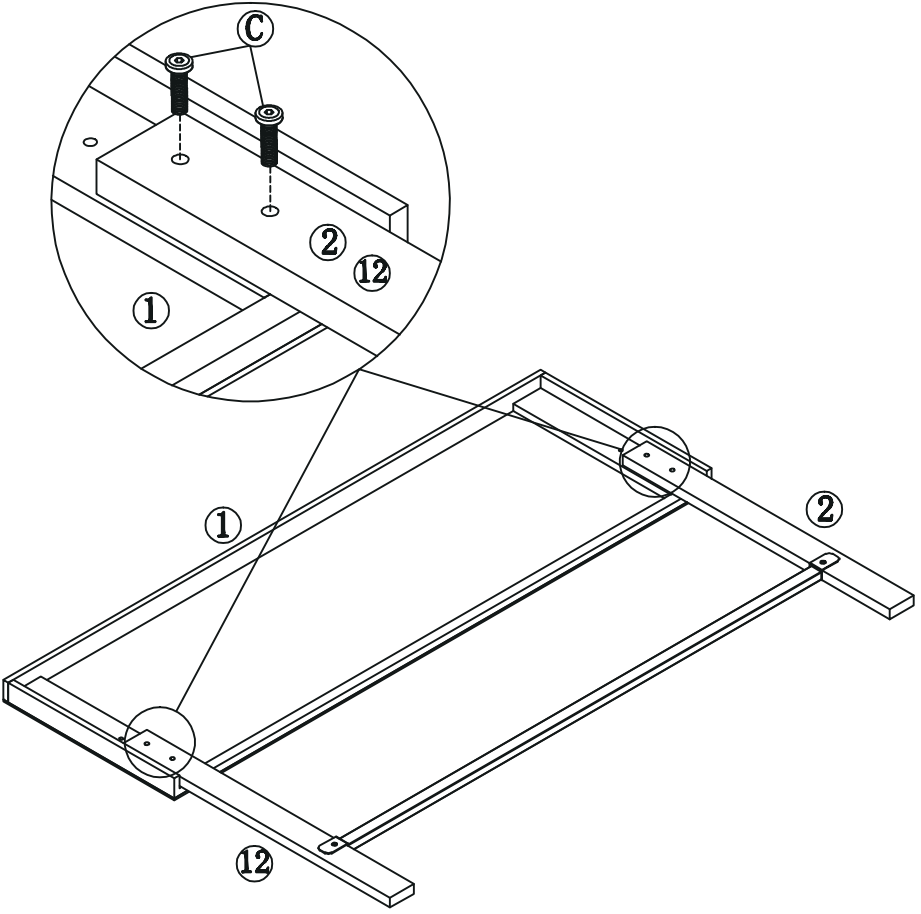
⑫ 1 PC

Assembly Instruction

A	 M8x20	2pcs
D		1pc

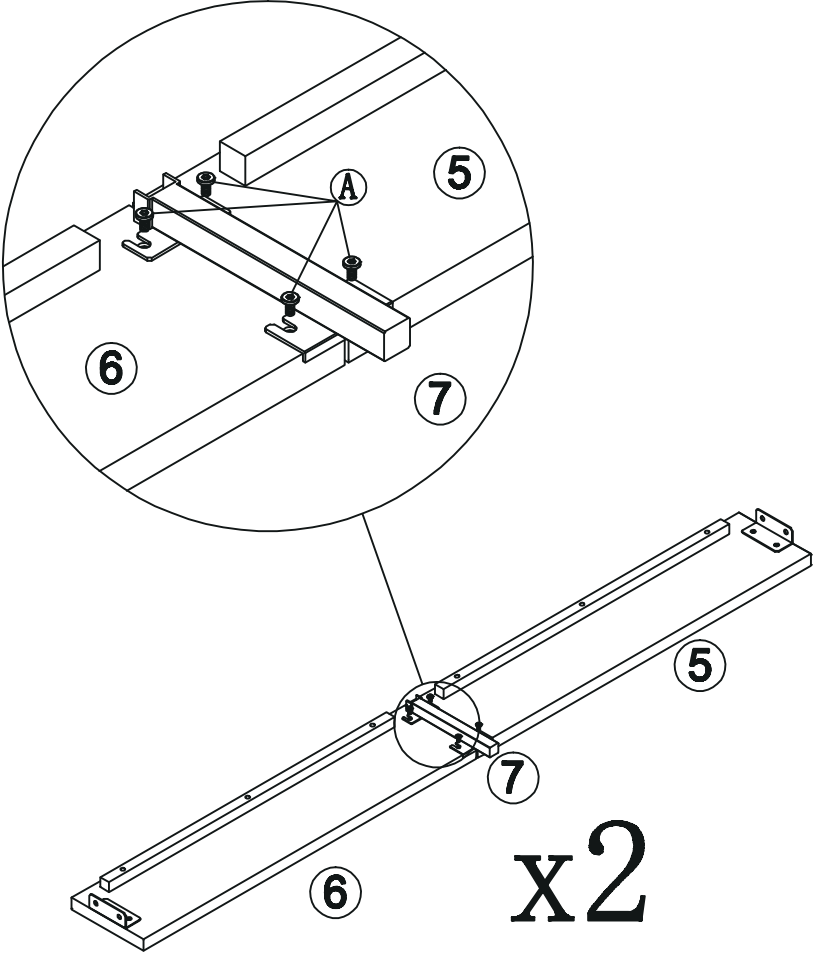


C	 M8x45	4pcs
D		1pc

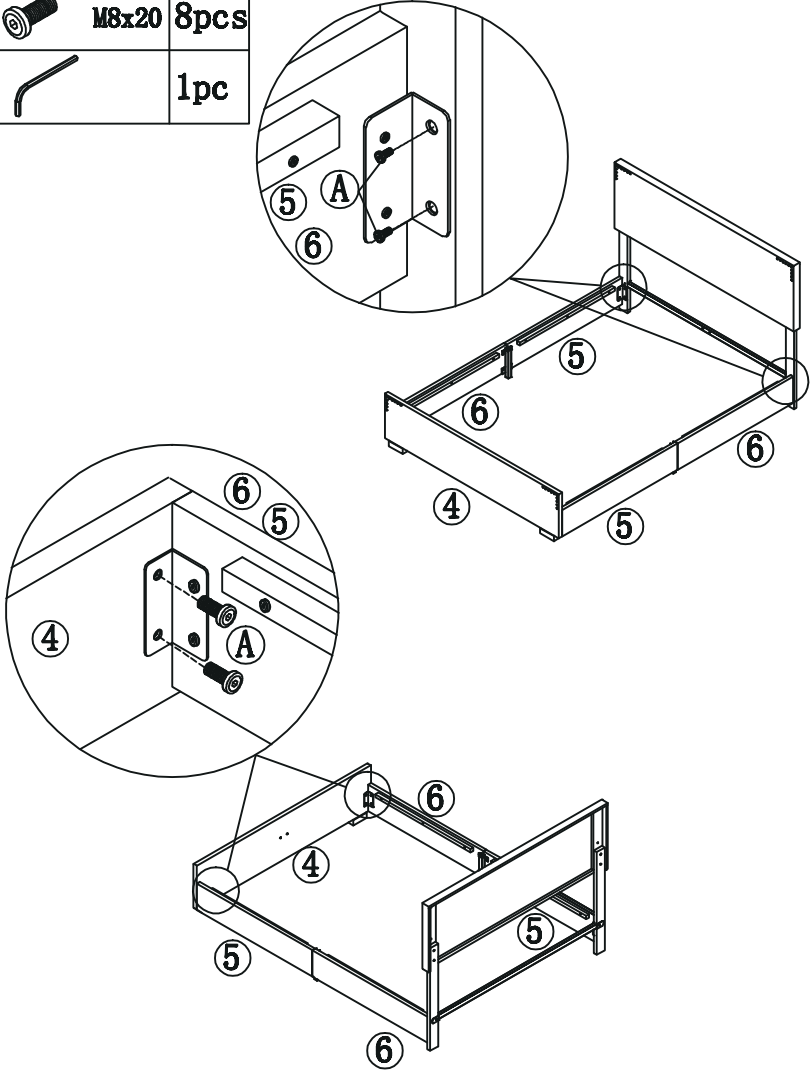


Assembly Instruction




A		M8x20	8pcs
D			1pc

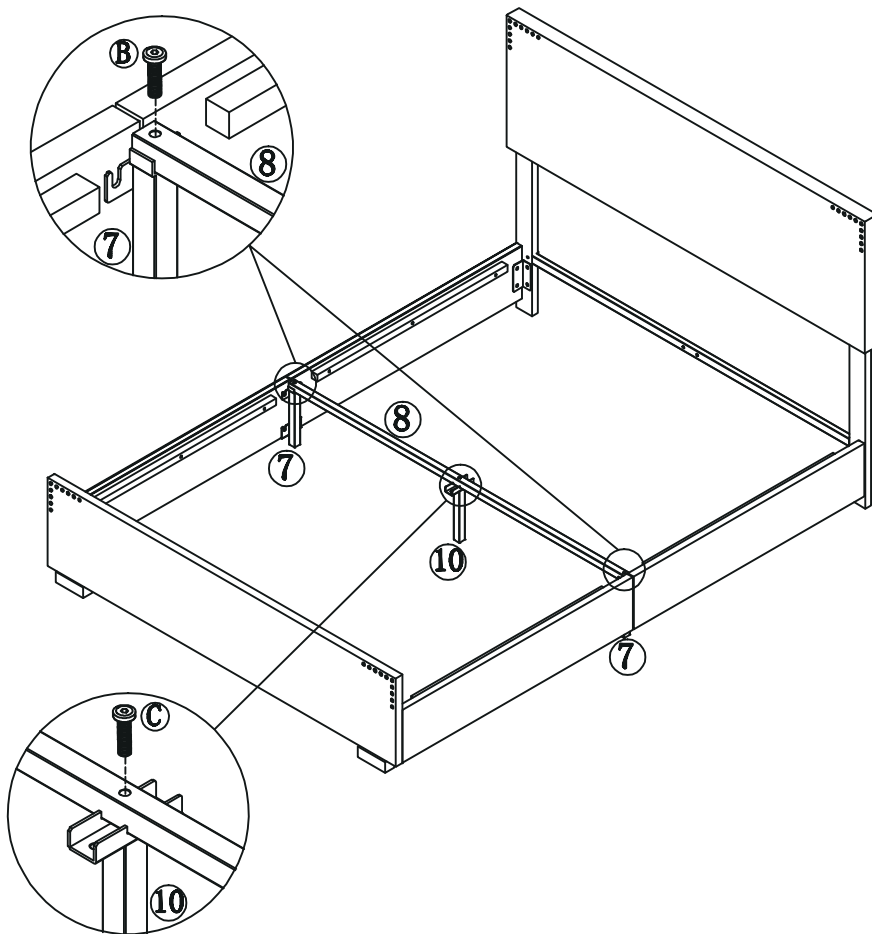


A		M8x20	8pcs
D			1pc

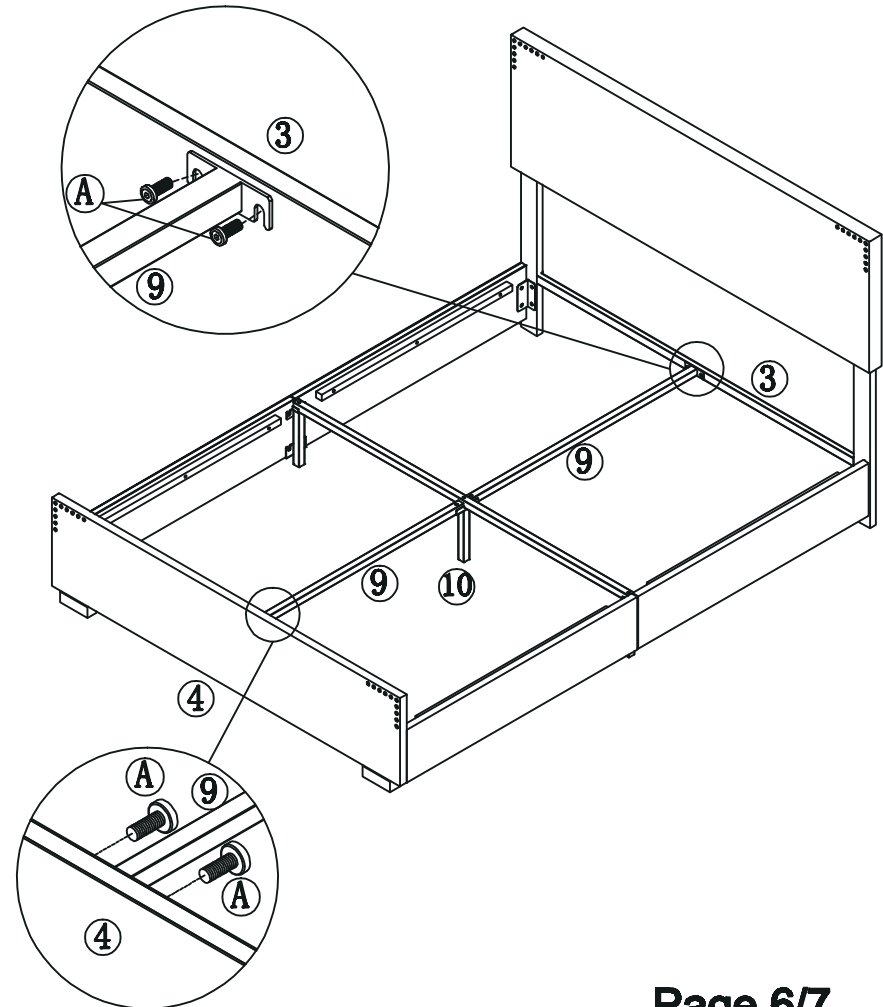


Assembly Instruction



B		M8x35	2pcs
C		M8x45	1pc
D			1pc



A		M8x20	4pcs
D			1pc



Assembly Instruction

B		M8x35	2pcs
D			1pc

