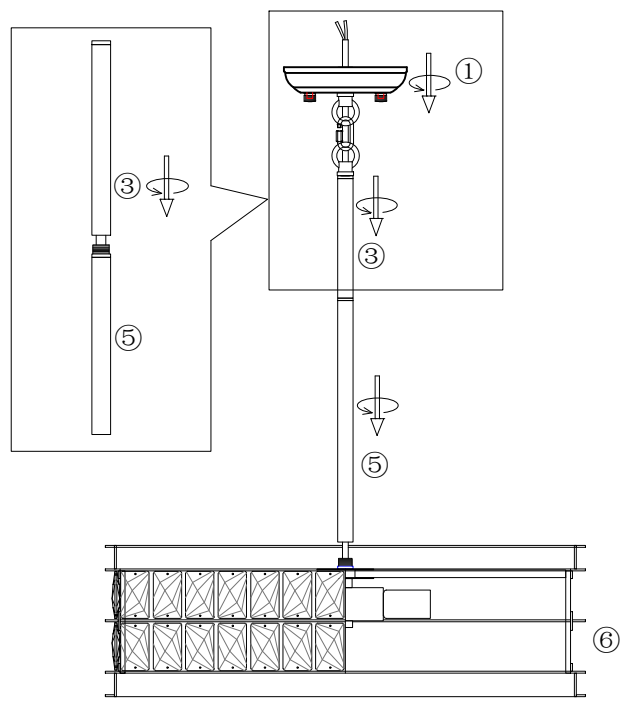
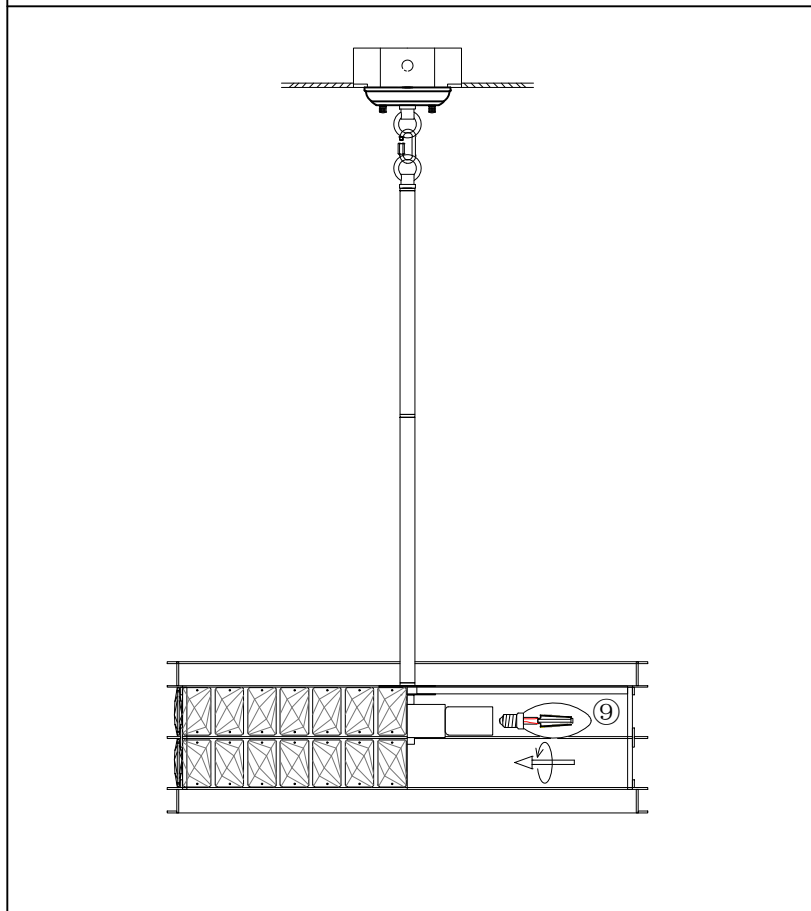
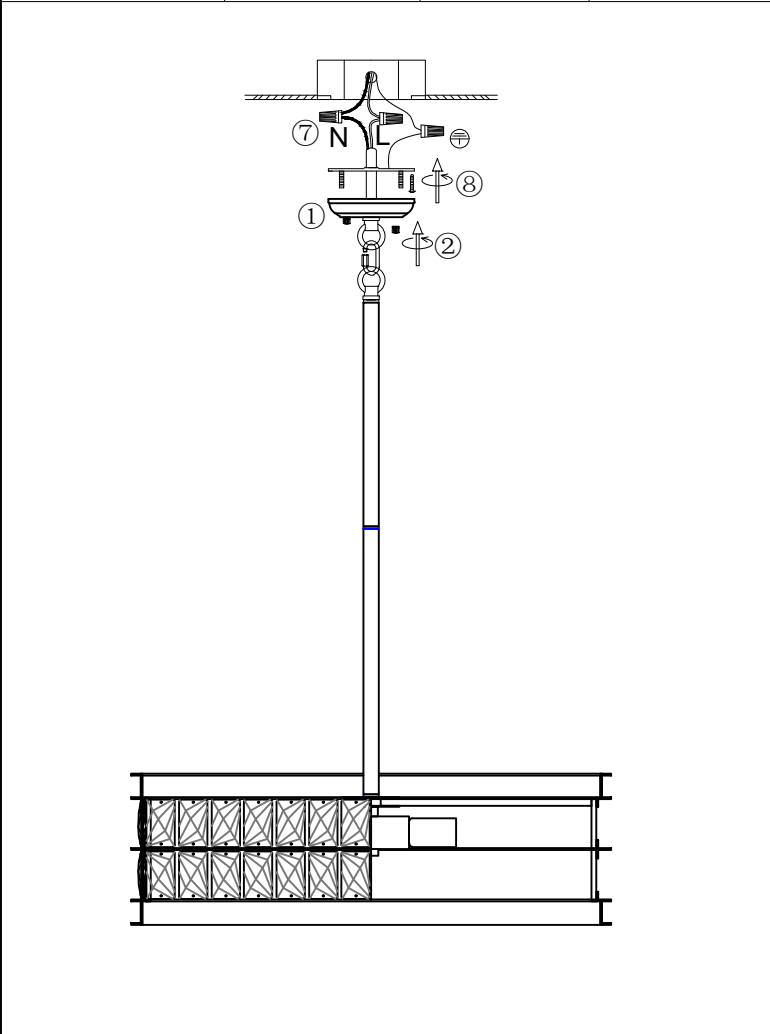


X 1PCS	X 3PCS	X 3PCS	X 3PCS
X 3PCS	X 3PCS		



1. Let the wire of the light fixture⑥ go through the hanging tube⑤ and tube③, rotate to install the tubes to the fixture. (can connect more tubes to get suitable height you need)
2. Hang the fixture to the canopy① with carabiner hook screw connection④, let the wire go through the ring④ and canopy①.



3. Install the bracket to the ceiling junction box with screws⑧.
4. Connect the wire to the home line with cap connector⑦.
5. Install the fixture to the bracket with cap nuts② .

6. Install the bulb⑨.

ZJD00204-6
 Please read carefully before installation!!!
 Note : Please make sure that the electricity is powered off during installation !
 Only a professional electrician should install this kind of product !