

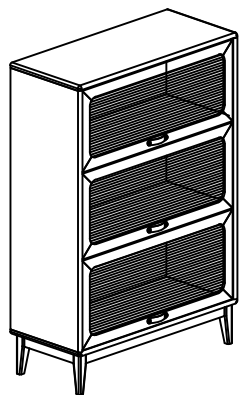
Installation Diagram

Table of parts

Hardware table

Specification Bookcase 010 Triple Stripe Glass 60CM

Note: Parts list with those in the hardware list (installed)
Indicates that it is installed in the finished product and not in the hardware package!!!!

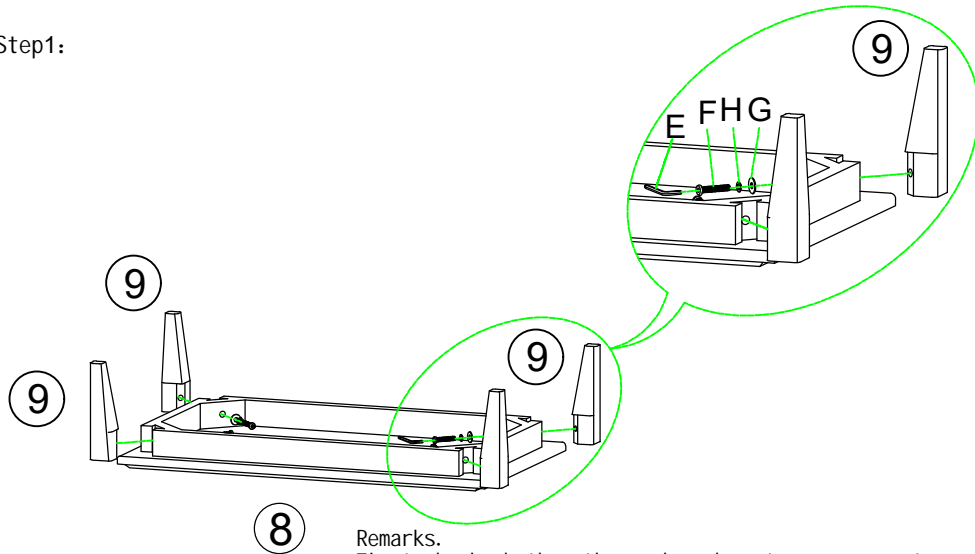


NO.	Name	Illustration	Speci fi cation	Quantities
1	plate		600*350*18MM	1
2	Left side panel		1003*350*18MM	1
3	Right Side Plate		1003*350*18MM	1
4	Layer		564*314*18MM	2
5	Upper Door Panel		558*310*20MM	1
6	Middle Door Panel		558*325*20MM	1
7	Lower Door Panel		558*337*20MM	1
8	Bottom Frame		600*350*57MM	1
9	Legs		150*35*35MM	4
10	Upper Back Panel		584*318*5MM	1
11	Middle Back Plate		584*328*5MM	1
12	Lower Back Panel		584*362*5MM	1
13	Door glass (installed)		496*248*5MM	1
14	Door Glass (Installed)		496*263*5MM	1
15	Door Glass (Installed)		496*275*5MM	1

	Name	Illustration	speci fi cation	Quantities
A	2-in-1 Screw		L=40MM	16
B	2-in-1 Locking Cake		φ15MM	16
C	Dowel		φ8*30MM	16
D	Round head wood screws		φ3.5*19MM	24
E	Hexagon socket wrench		M5*57MM	1
F	Hexagon socket head screws		M8*50MM	4
G	Flat shims		M8*19MM	4
H	Bullet shims		M8	4
I	Door spindles		φ5*25MM	6
J	Positioning pins		M5*φ6*19MM	1
K	Ring beauty sticker		φ20MM	16
L	Anti-collision gaskets		φ8MM	4
M	Anti-tipping hardware			1
O	Adjustment feet (installed)		M6*φ19MM	4

Specification: bookcase 010 three striped glass 60CM

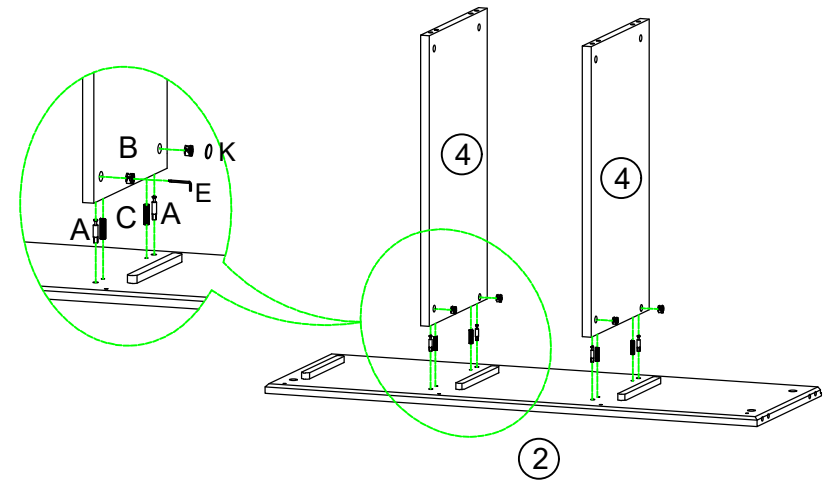
Step1:



8

Remarks.
First check whether the packaged parts are correct against the instruction manual.
Assemble as shown in the picture, align the part 9 with the holes and slots above the part 8, then fix it with hardware F, G, H.

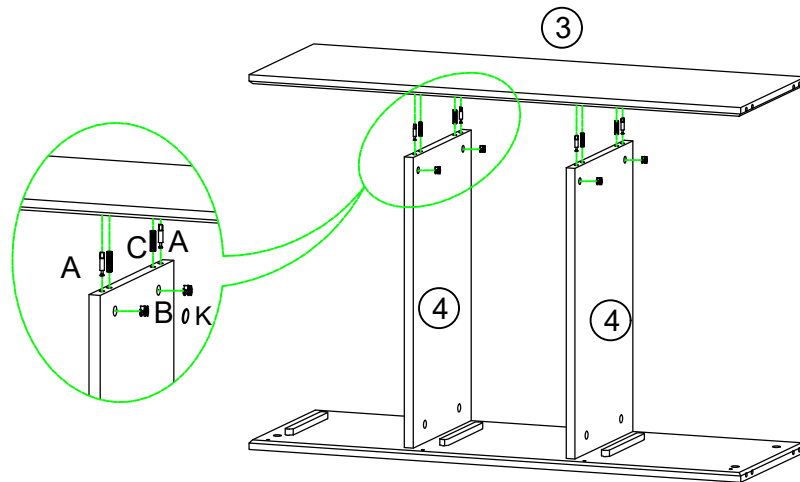
Step2:



2

►Assembled as shown, connect part 4 to part 2 with hardware A,B,C . Then cover the holes with K.

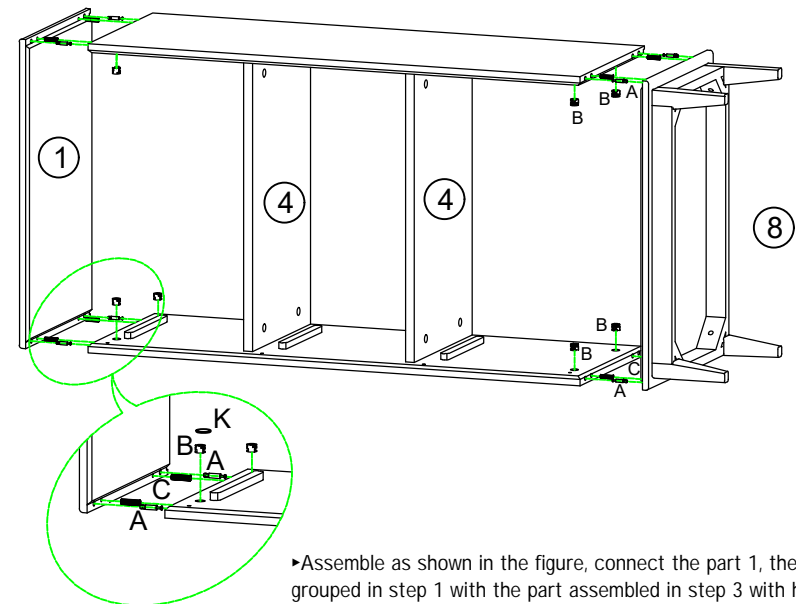
Step3:



3

Assemble as shown in the picture, connect the part 3 with the parts grouped in step 2 with hardware A,B,C . Then cover the holes with K

Step4:

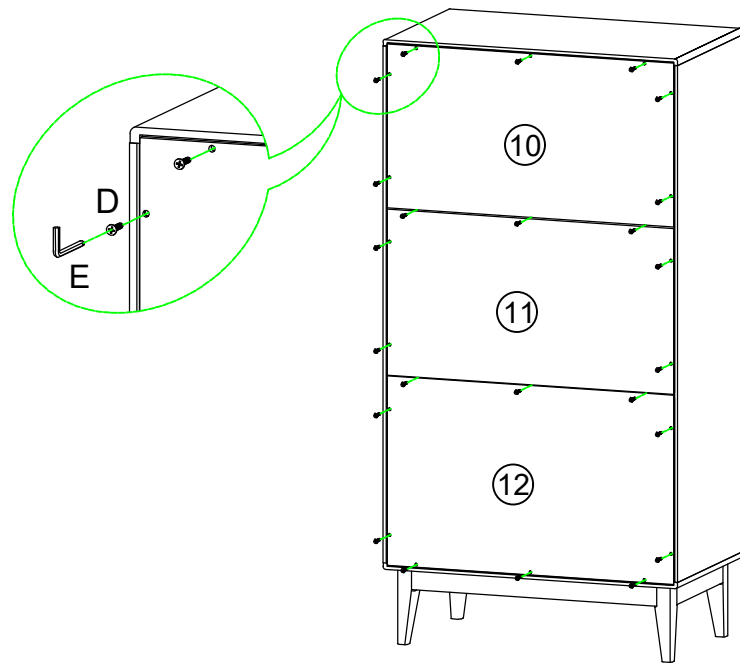


8

►Assemble as shown in the figure, connect the part 1, the part 8 grouped in step 1 with the part assembled in step 3 with hardware A,B,C, and then cover the hole with K.

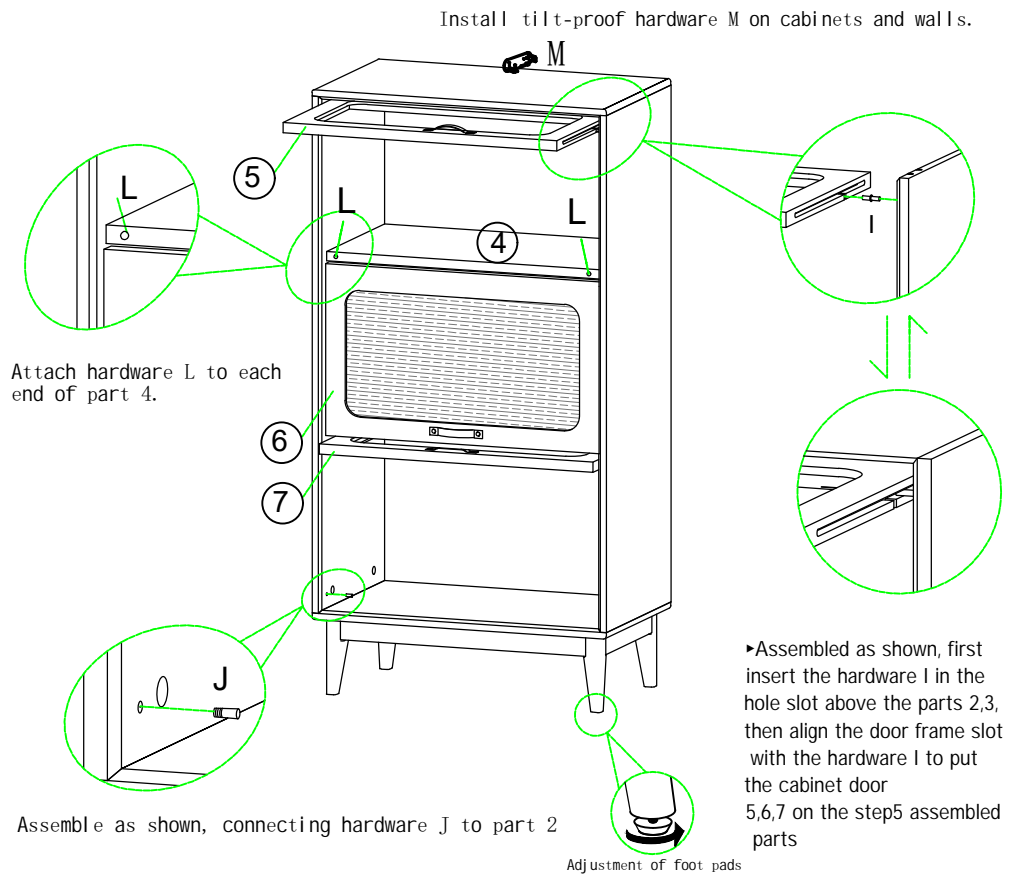
Specification: bookcase 010 three striped glass 60CM

Step5:



►Assemble as shown, connect parts 10,11,12,13 with the assembled parts in step 4 with hardware D

Step6:



Cabinet door upturned parallel to part 4 then push the door panel inside to hide the door panel assembly is complete.