

1. Must use ground nails, ropes, and expansions screws for whichever ground you install on for stability to avoid devastating injuries for people inside or nearby and property damage caused by a collapsing gazebo.
2. Do not use this gazebo in high winds, heavy snow, or inclement weather. It is not designed to withstand strong gusts of wind, heavy snow accumulation, or other inclement weather. Must take precautions when the wind speed exceeds 25Mph, and clear snow when it accumulates more than 2 inches.
3. Before use, thoroughly inspect the gazebo to make sure all bolts, nuts, and buckles have been completely tightened and securely fastened.
4. Warranty does not cover damages, losses, or injuries resulting from improper installation, misuse, not using stability accessories mentioned above, non snow cleaning, failure to take precautionary measures, etc.





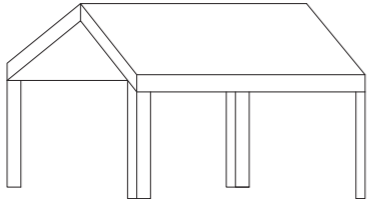
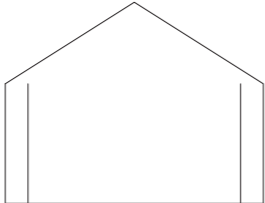
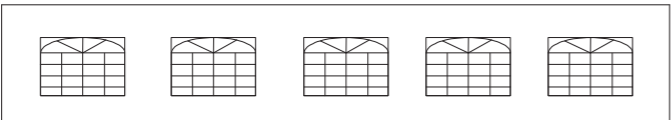
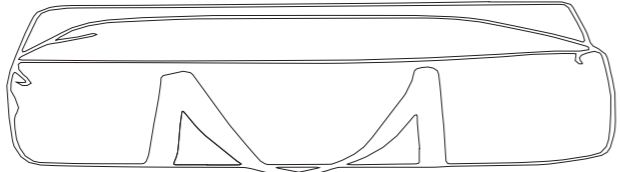


1. Three or more people are required for the assembly.
2. A ladder is recommended during assembly.
3. Ensure you have all the required parts and organize them before assembling.
4. An electric drill is recommended for the assembly.
5. Do not use candles, matches or open flames of any kind inside or near a tent.
6. Professional installation is highly recommended.


Item no.	Reference Image	Qty.
1		X33
2		X12
3		X12
4		X4
5		X2
6		X4
A		X6
B		X12
F		X8
G		X4


ASSEMBLY INSTRUCTIONS


ASSEMBLY INSTRUCTIONS

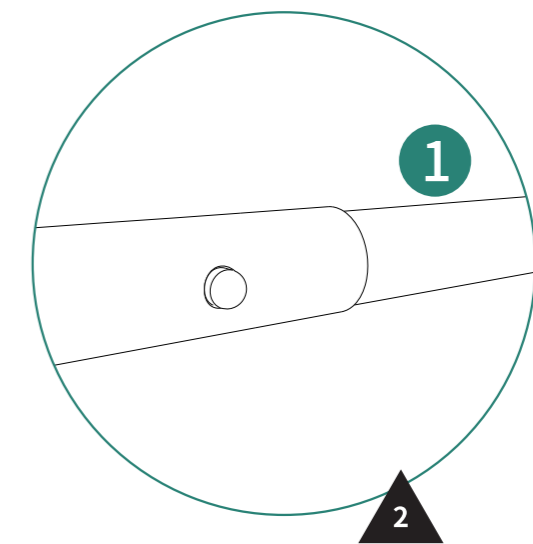
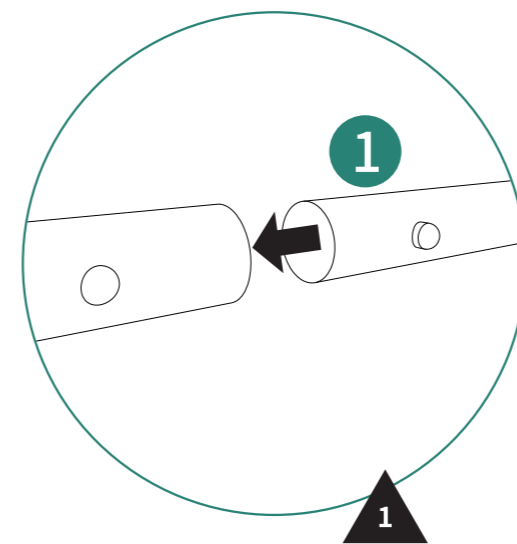
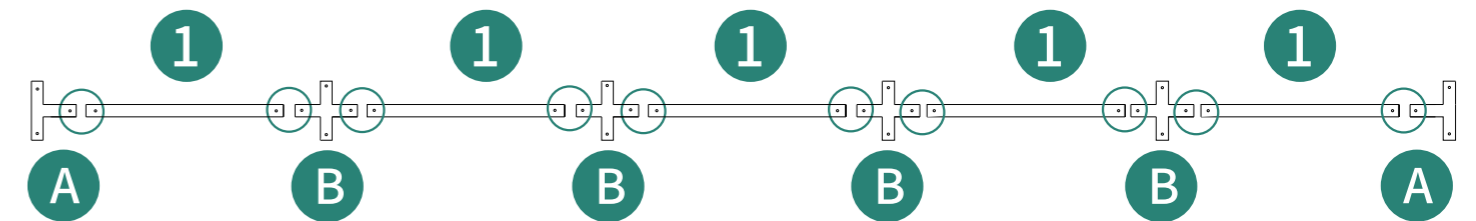
Item no.	Reference Image	Qty.
a		X128
b	 $\phi 3$	Tent peg X24
c	 $\phi 6$	Tent peg X8
d		X8
e		X1
f		X2
g		X2
h	 Bag	X3

1
X3


 ①15pcs


 6pcs


 12pcs

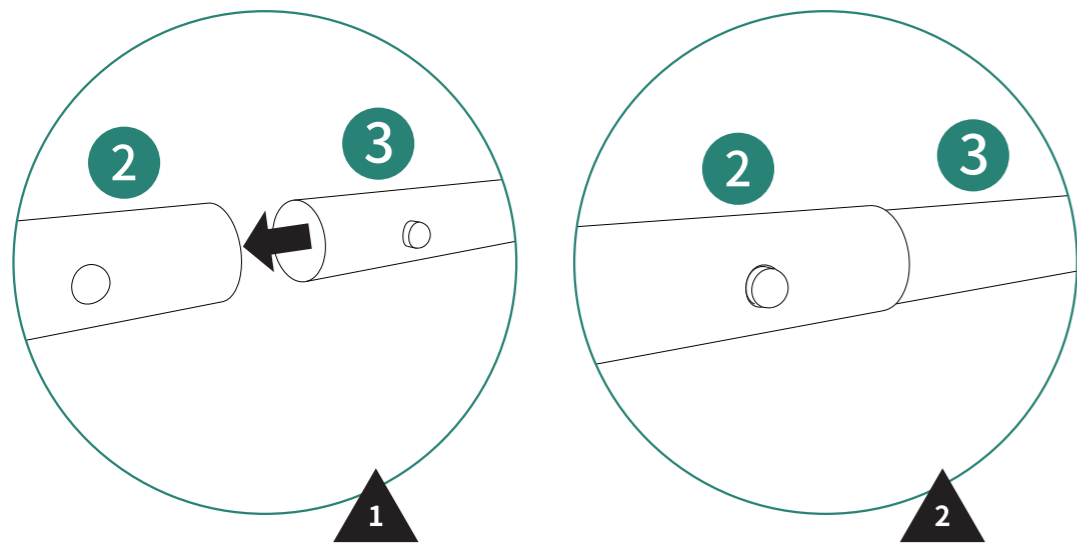
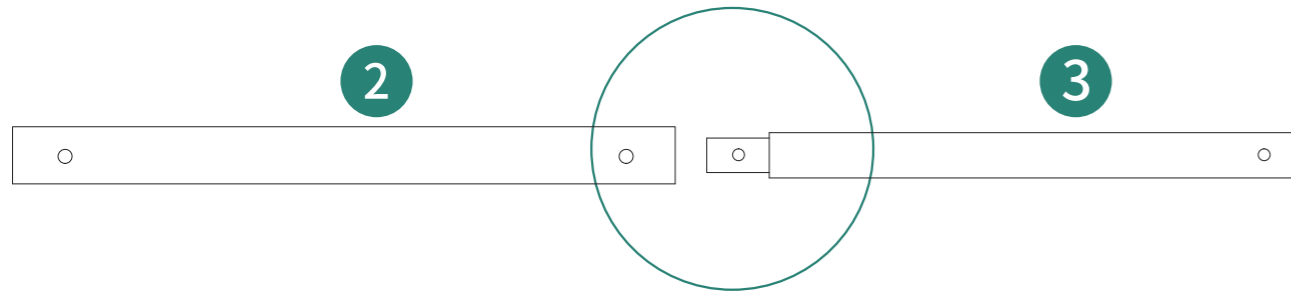


ASSEMBLY INSTRUCTIONS

ASSEMBLY INSTRUCTIONS

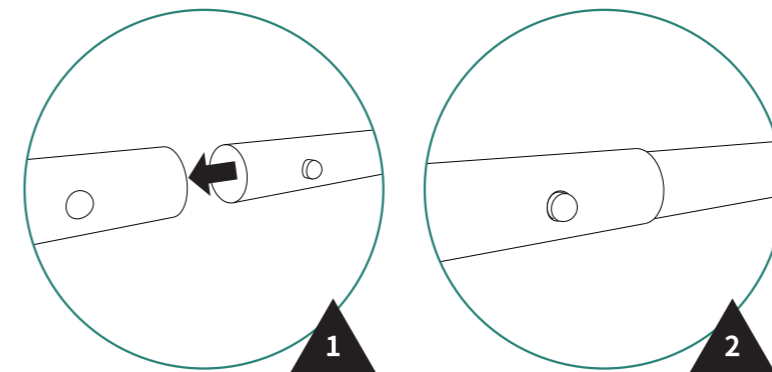
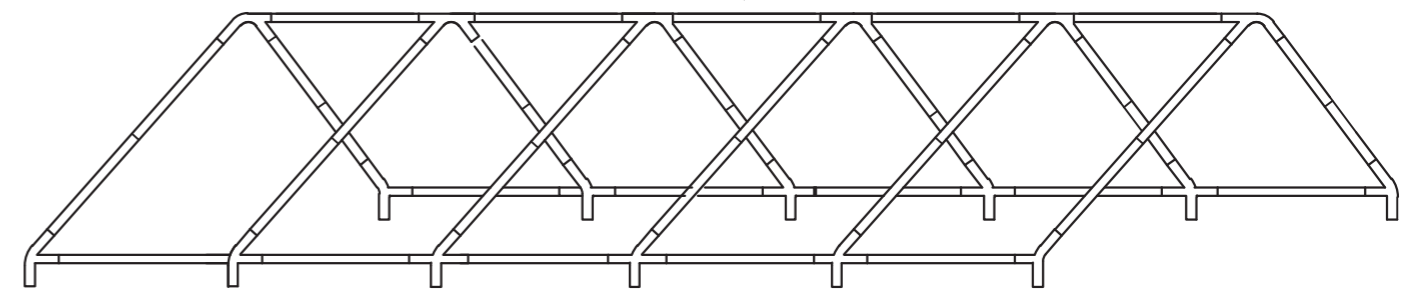
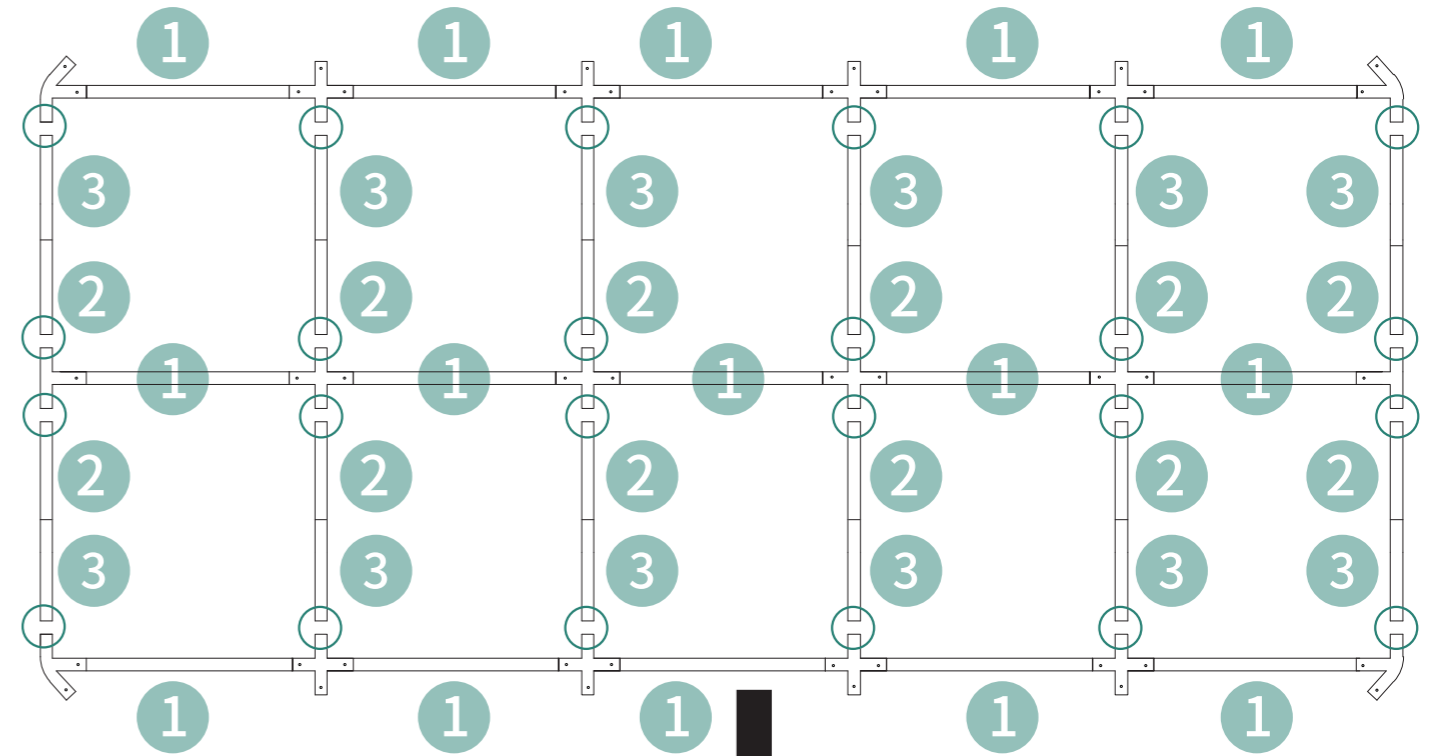
2
X12

② 12pcs ③ 12pcs



5

3

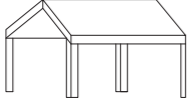


6


ASSEMBLY INSTRUCTIONS

ASSEMBLY INSTRUCTIONS

4

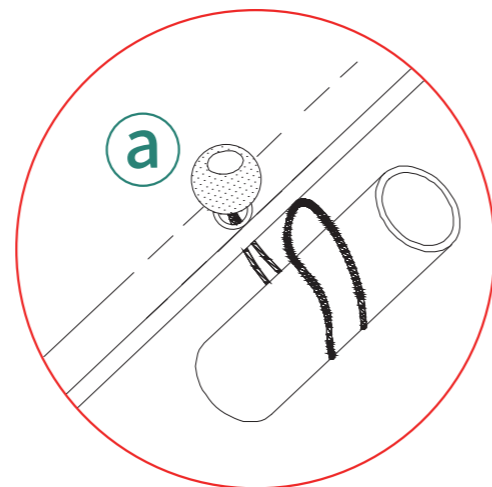
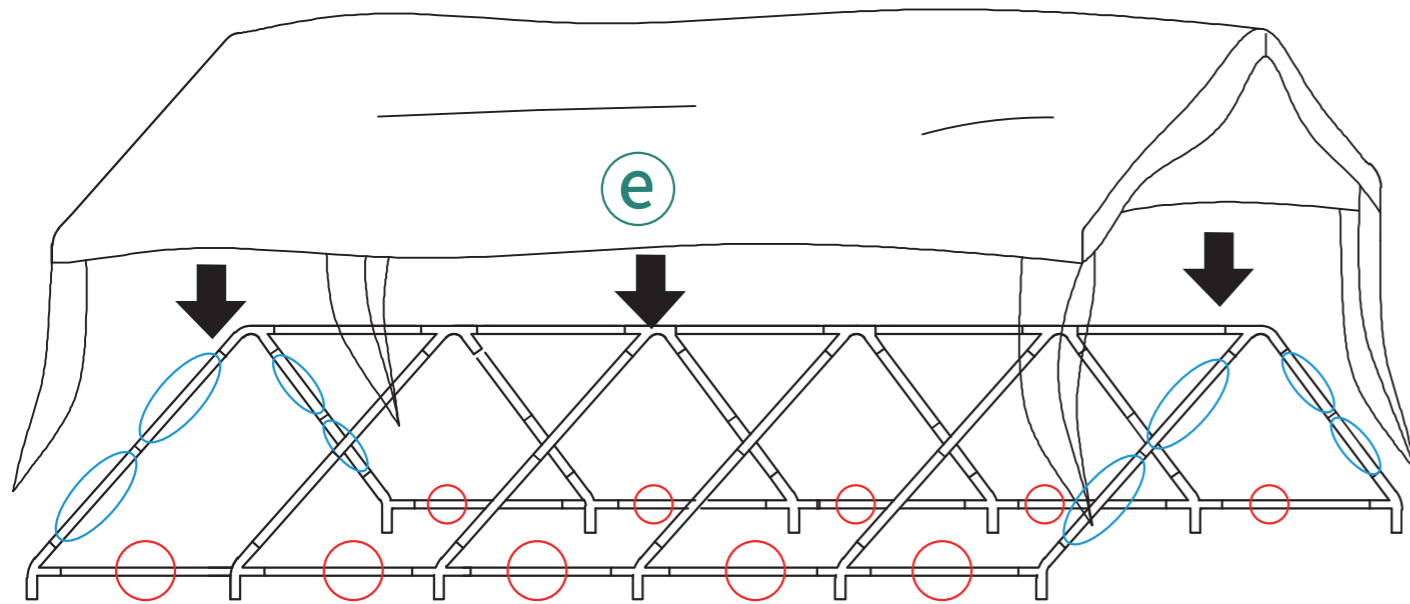


ⓔ 1pc



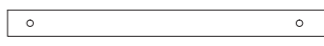
ⓐ 80pcs

Every part in the picture marked in blue must be installed with 5 bungee cord fasteners, while parts marked in red with 4 bungee cord fasteners. The poles marked in red can be temporarily secured first. The same fasteners are used to secure the cover cloth during step 9.

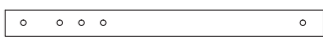


7

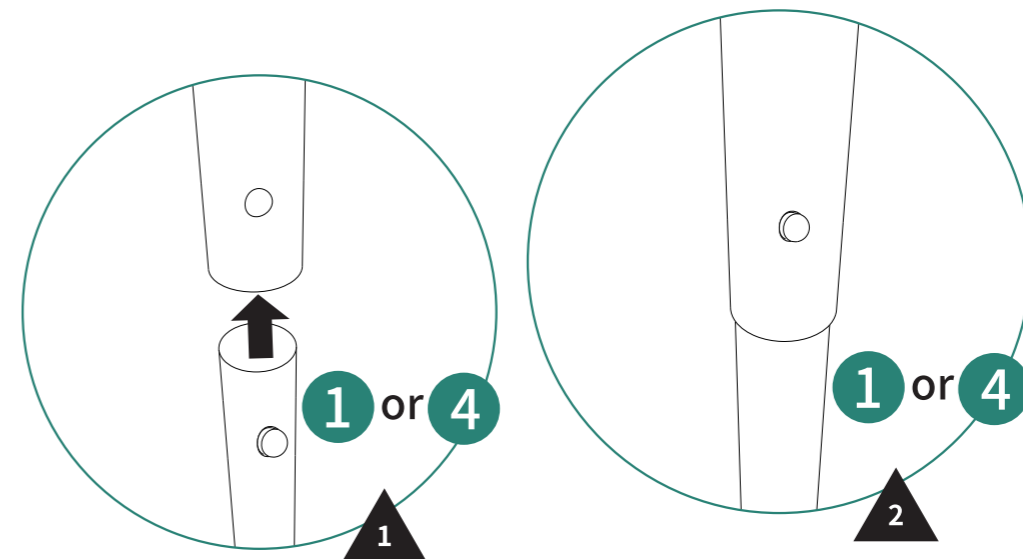
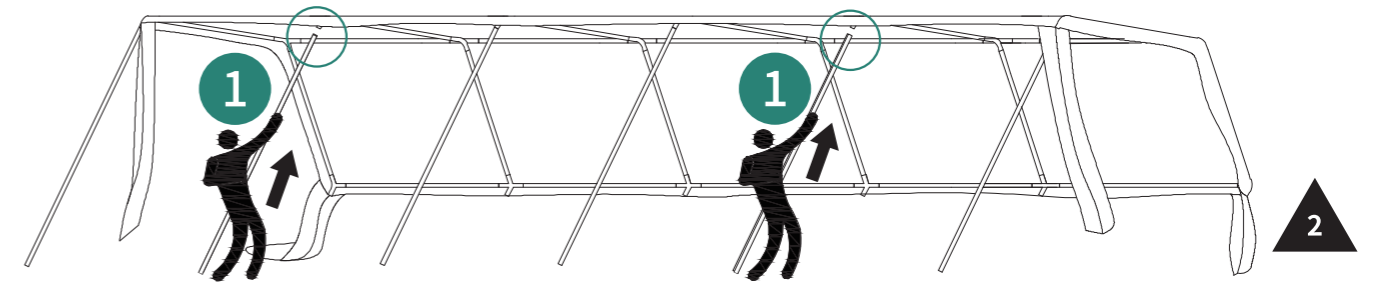
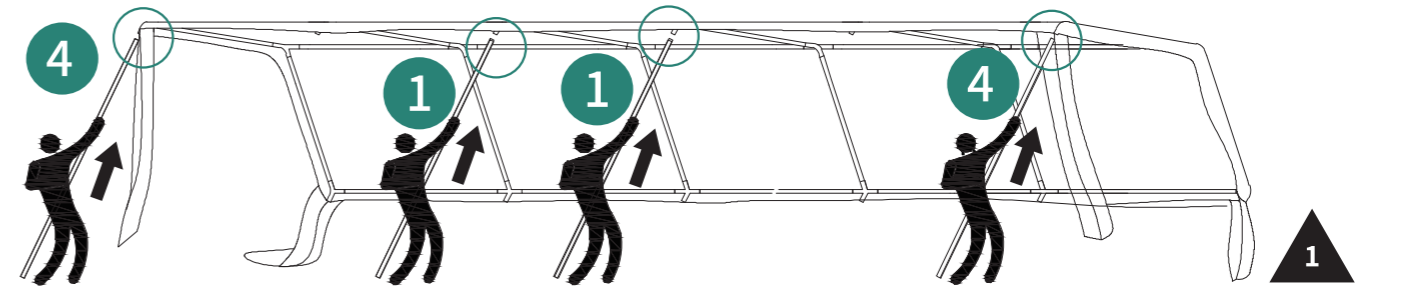
5



① 4pcs



④ 2pcs

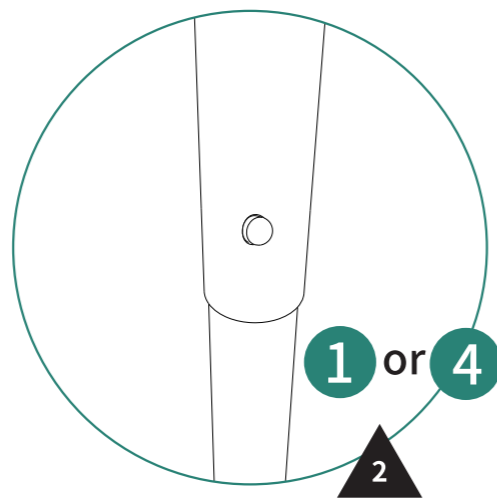
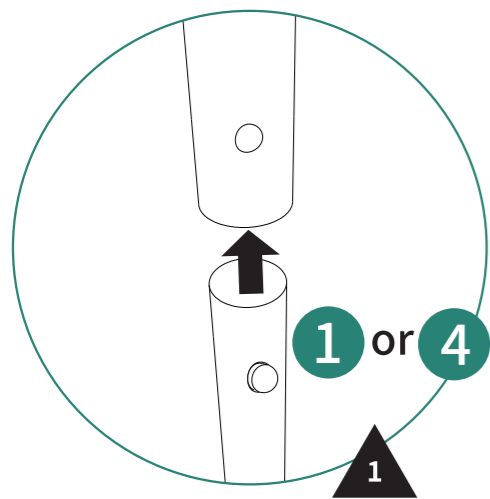
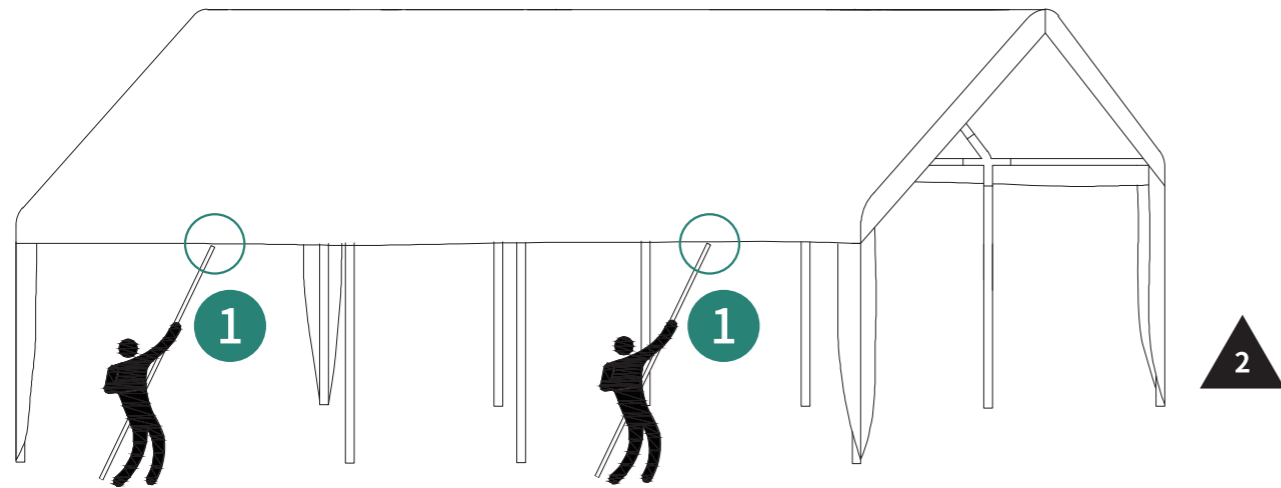
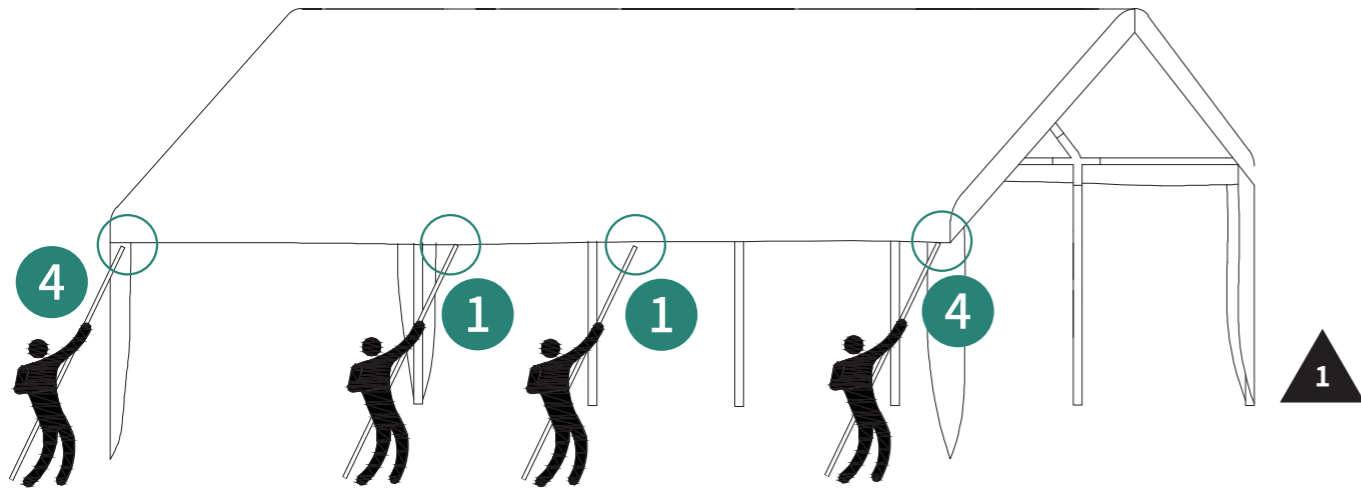
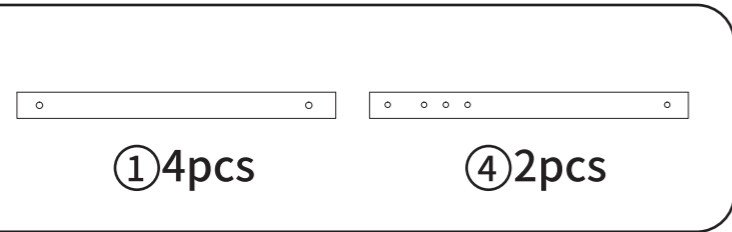


8

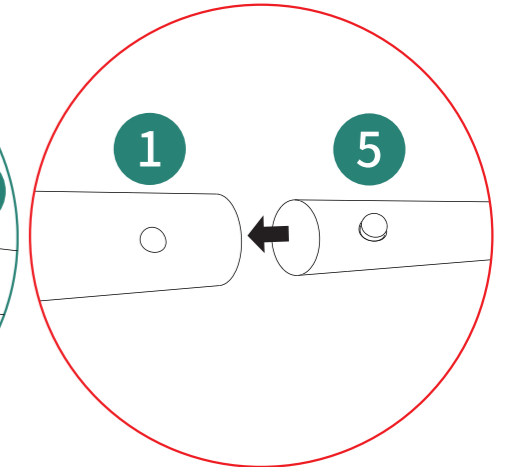
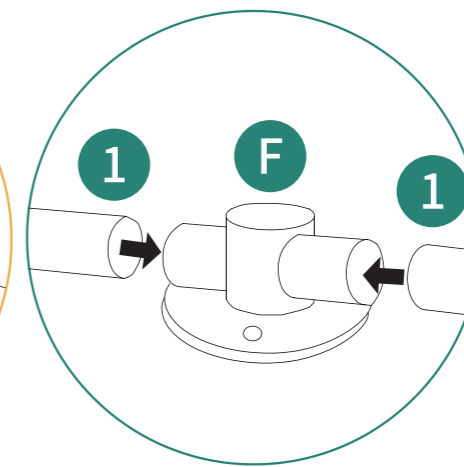
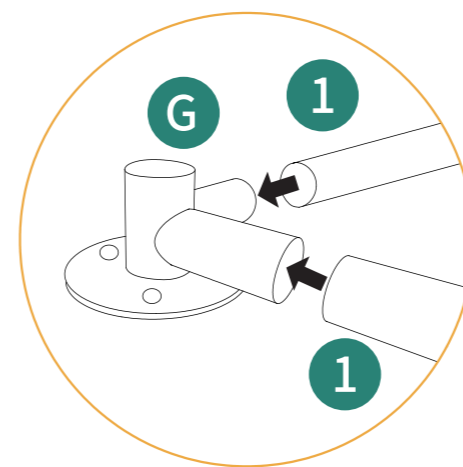
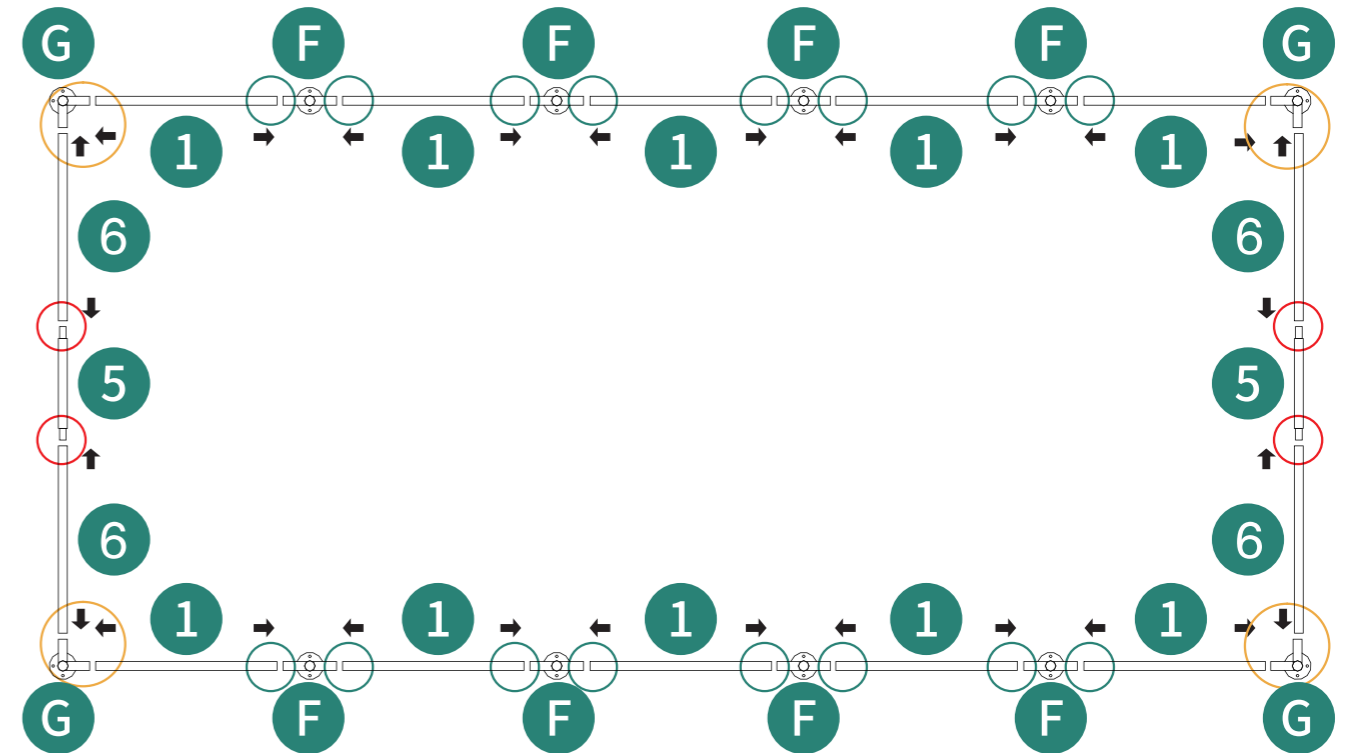
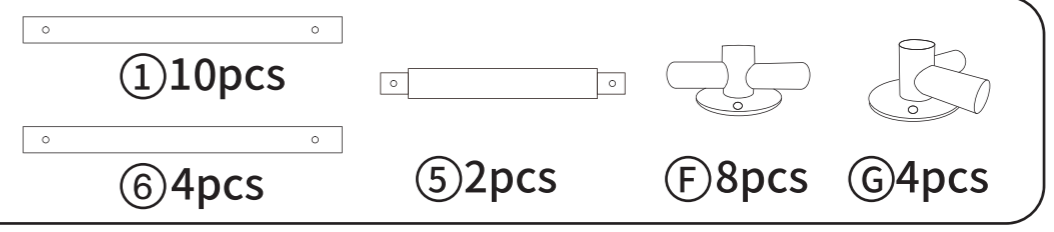
ASSEMBLY INSTRUCTIONS

ASSEMBLY INSTRUCTIONS

6



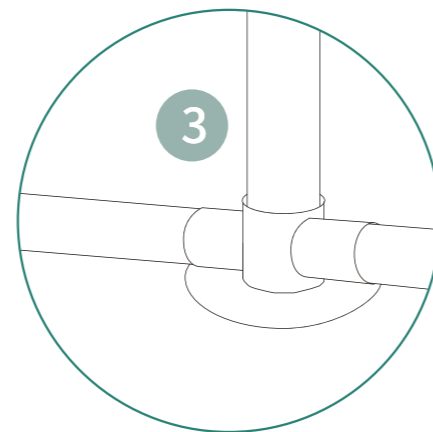
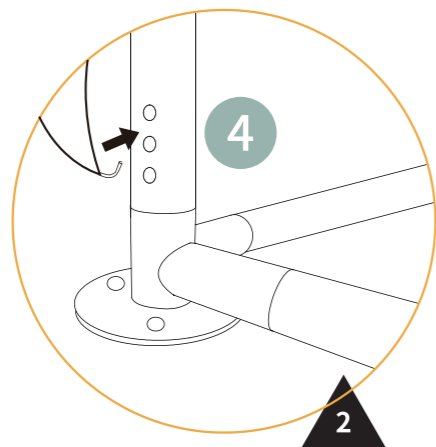
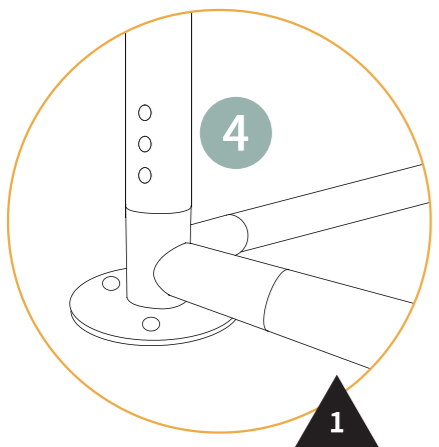
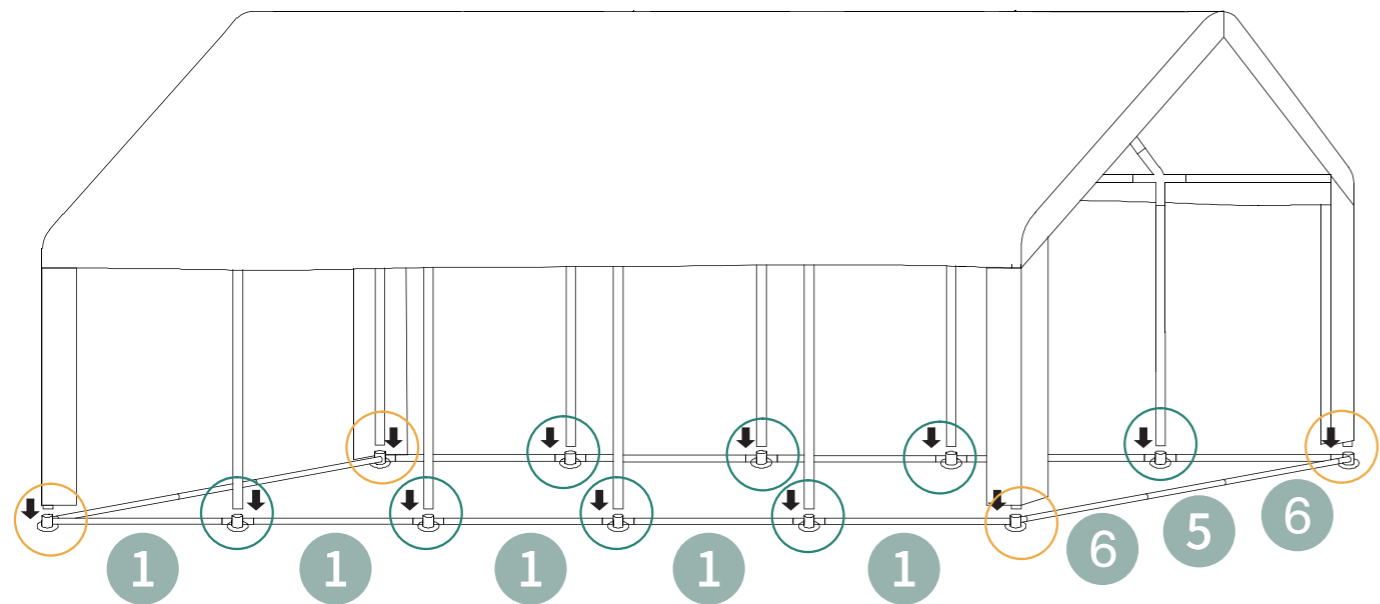
7




ASSEMBLY INSTRUCTIONS

ASSEMBLY INSTRUCTIONS

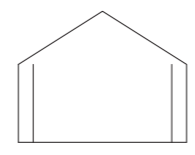
8



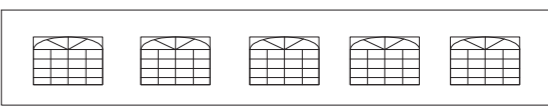
9



Ⓐ 48pcs

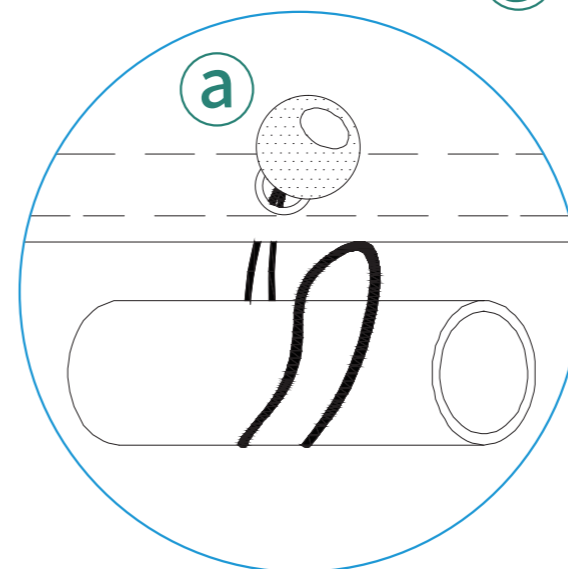


Ⓕ 2pcs



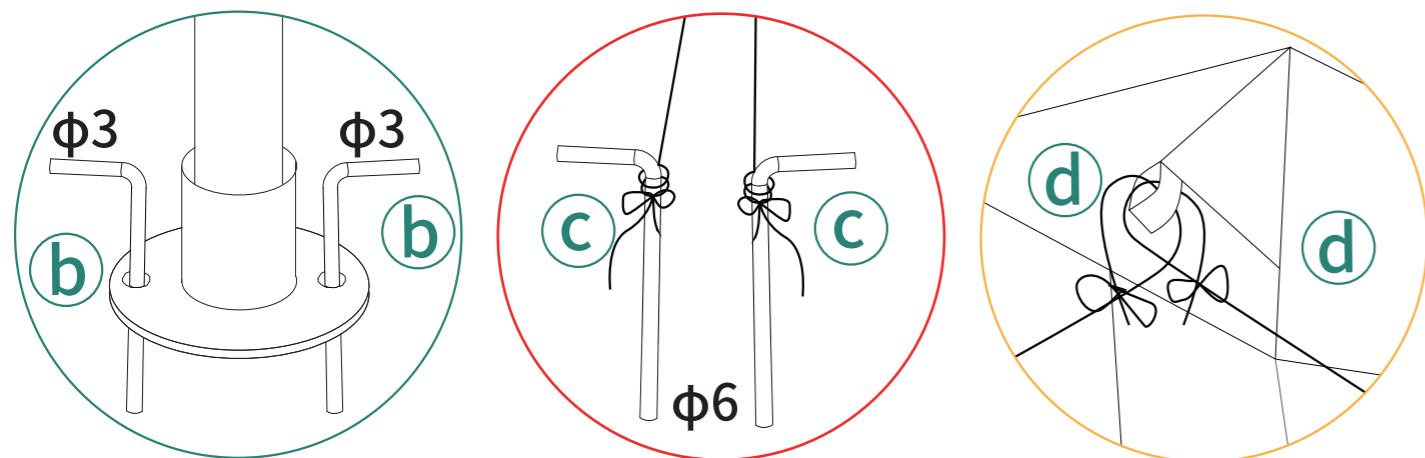
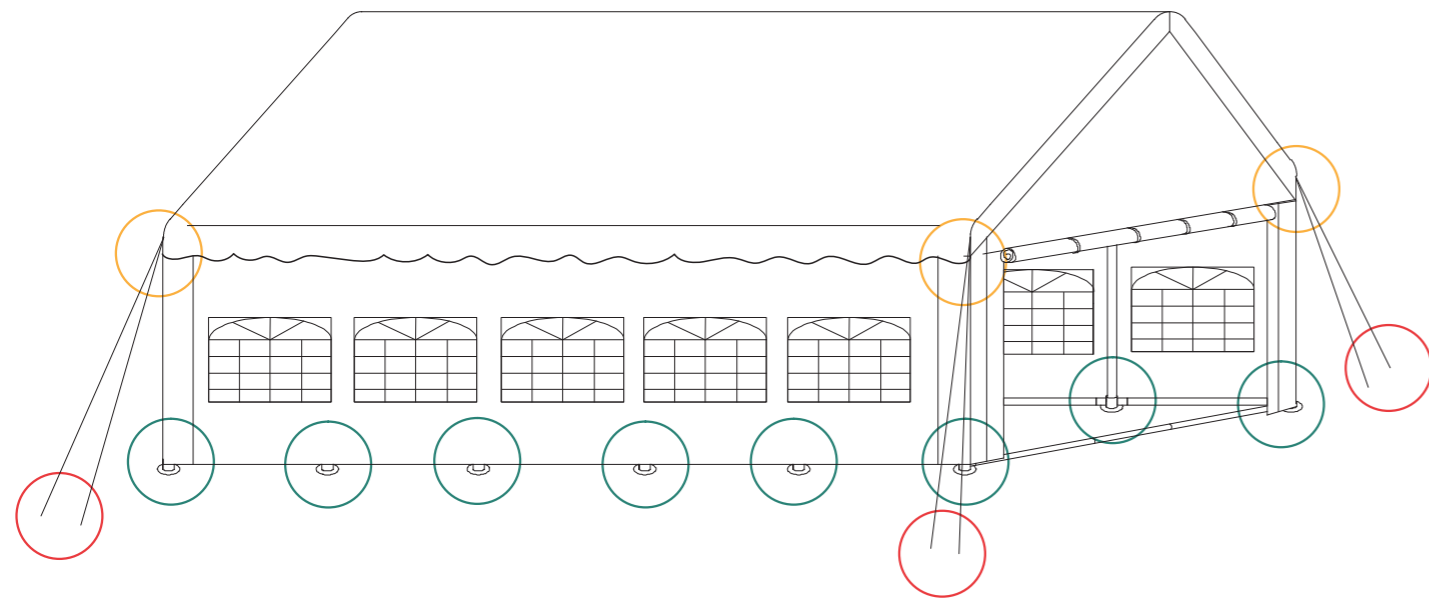
Ⓖ 2pcs

The fasteners marked in red are the same ones used in step 4.
 4 bungee cord fasteners are needed for part 4 (marked in blue).
 10 bungee cord fasteners are needed for part 1 (marked in yellow).
 6 bungee cord fasteners are needed for part 1&5 (marked in green).

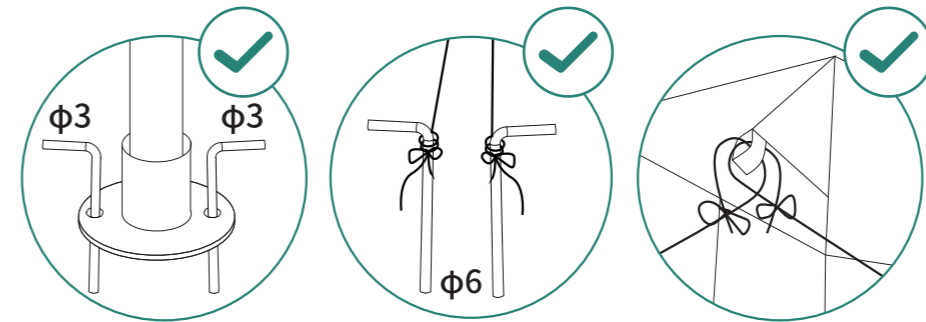


10

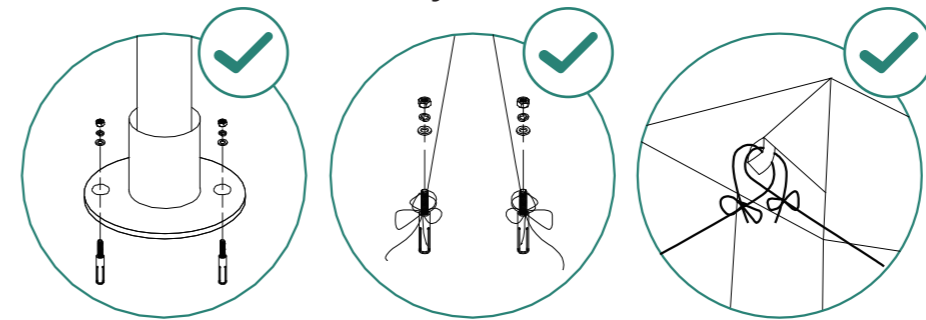
$\phi 3$ $\phi 6$
 (b) 24pcs (c) 8pcs (d) 8pcs



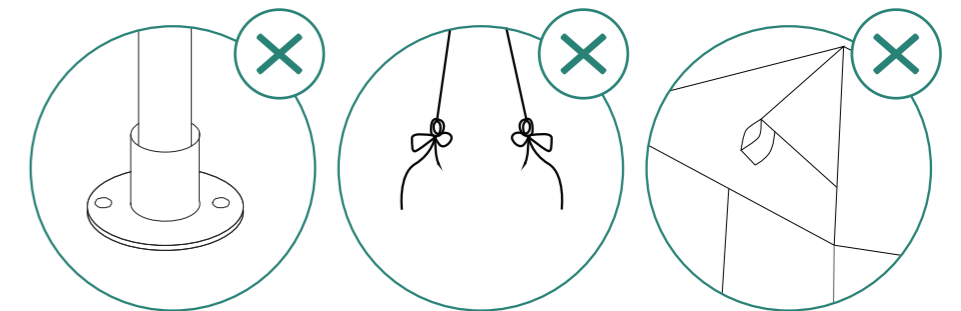
11



Grassy surfaces

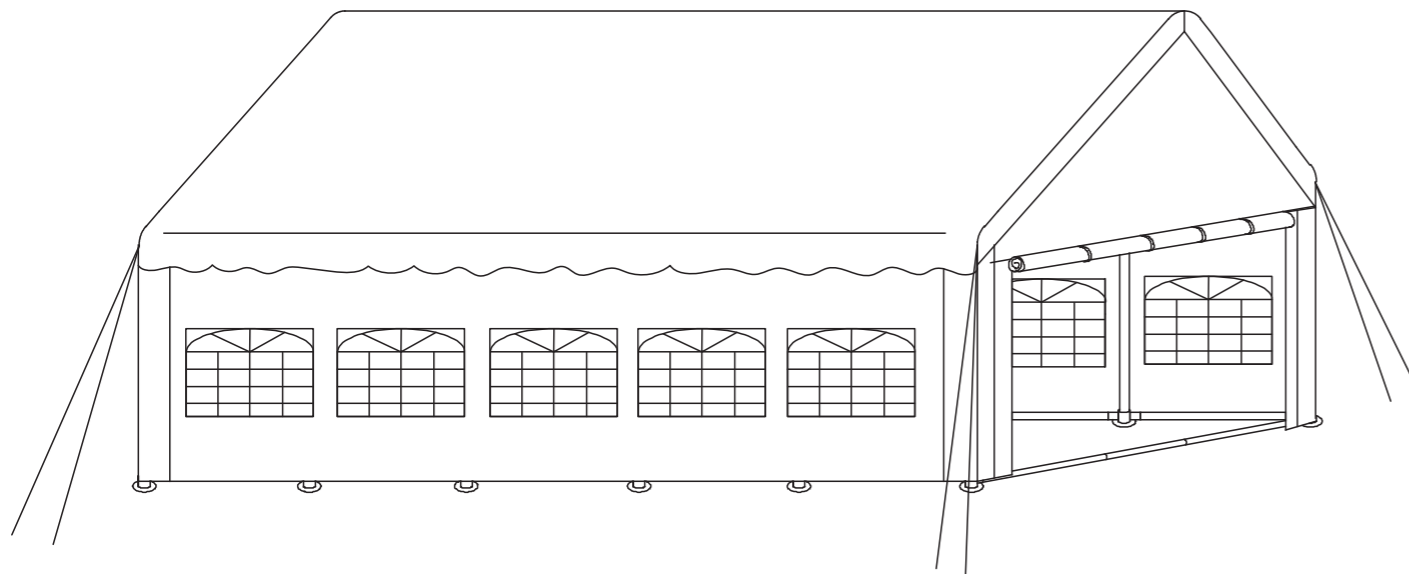


Cement surfaces



To improve wind resistance, **be sure to complete this installation step. If expansion screws or ground nails are not installed, strong winds may topple the gazebo.** Expansion screws are essential for stability on cement surfaces, and ground nails are for grassy surfaces. Ground nails are included in the package while expansion screws are not provided.

12



Installation Completed