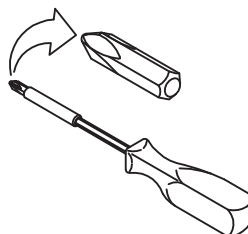
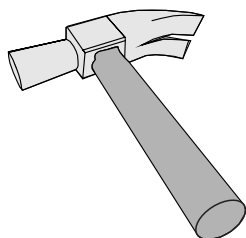
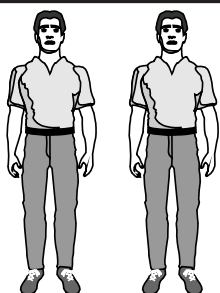
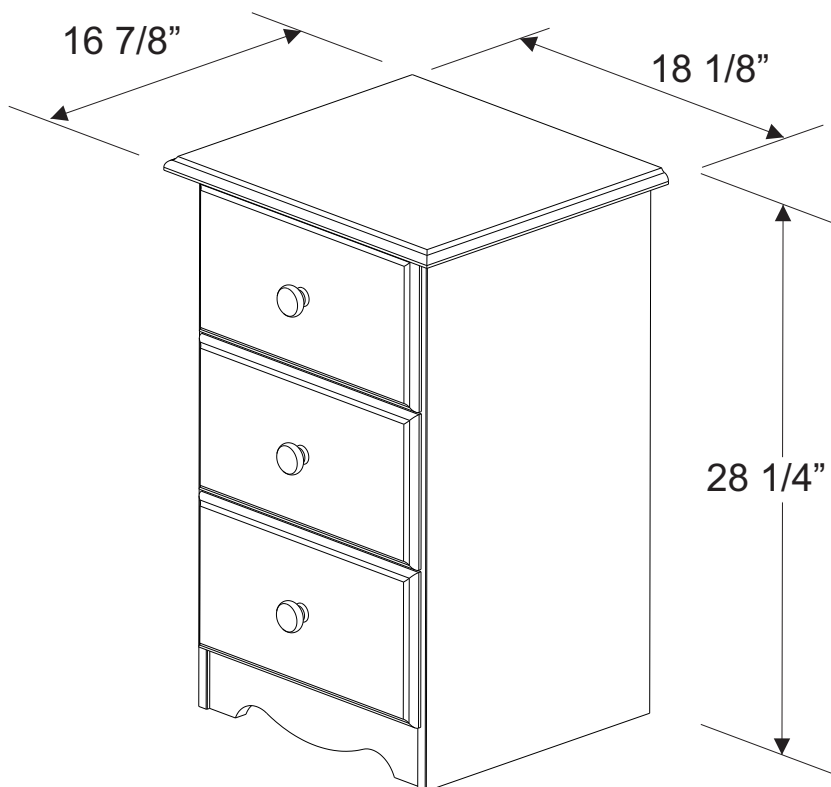


# ASSEMBLY INSTRUCTIONS

## INSTRUCCIONES DE MONTAJE

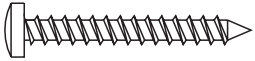



### 3 DRAWER NIGHTSTAND

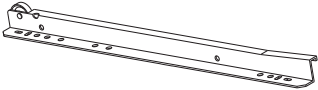
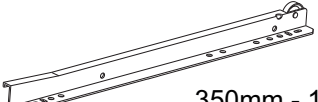
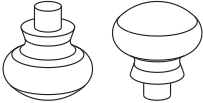
Natural  
Whitewash  
Mahogany  
Honey Pine  
Java

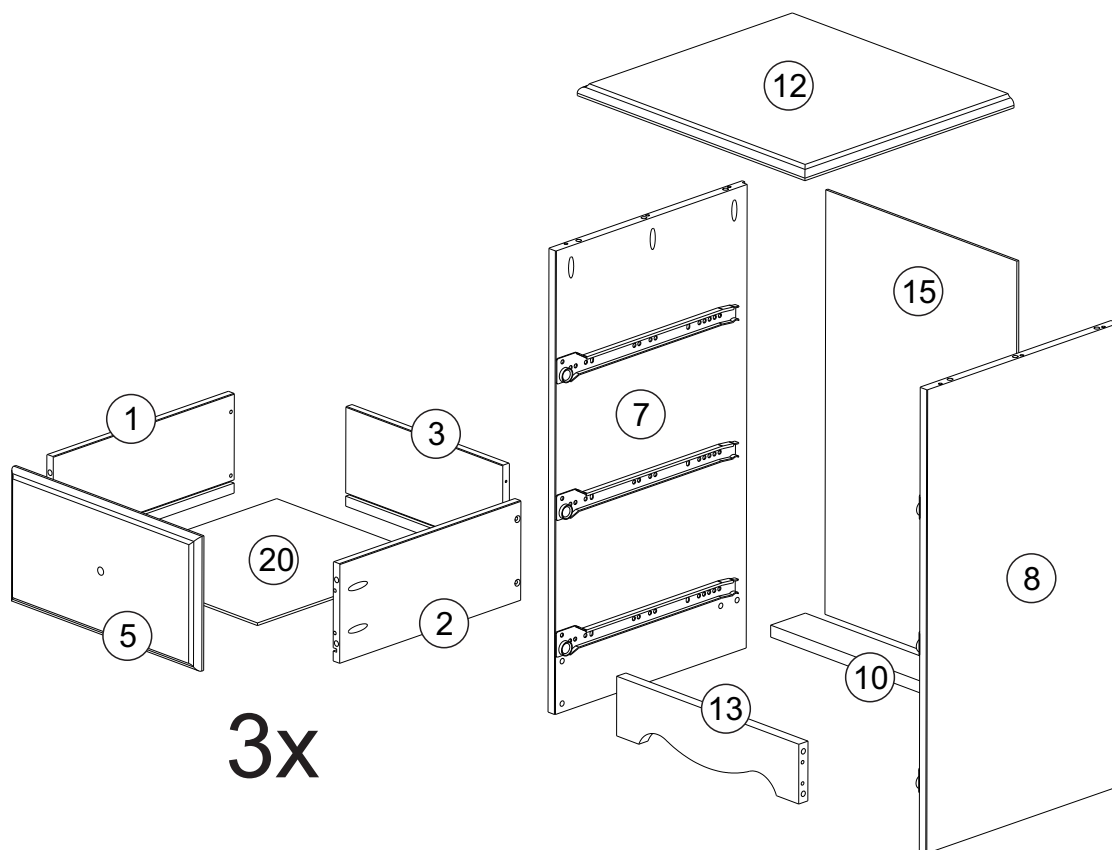


40 min

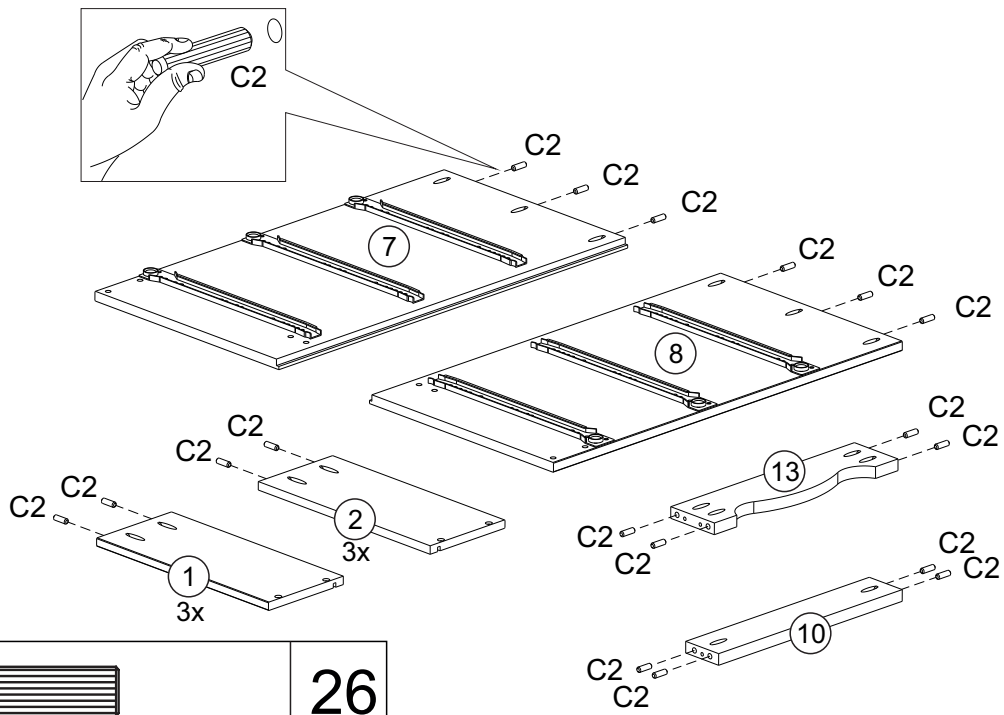
HARDWARE IN ACTUAL SIZE / ACCESORIO ENTAMAÑO REAL


|           |   |           |
|-----------|---|-----------|
| <b>A1</b> | <br>4,0x30 | <b>39</b> |
| <b>A4</b> | <br>3,5x14 | <b>12</b> |
| <b>C2</b> | <br>8,0x25 | <b>26</b> |
| <b>G1</b> | <br>10x10  | <b>18</b> |

|           |   |           |
|-----------|---|-----------|
| <b>E1</b> | <br>350mm - 13 3/4" | <b>03</b> |
| <b>E2</b> | <br>350mm - 13 3/4" | <b>03</b> |
| <b>H1</b> |                     | <b>03</b> |

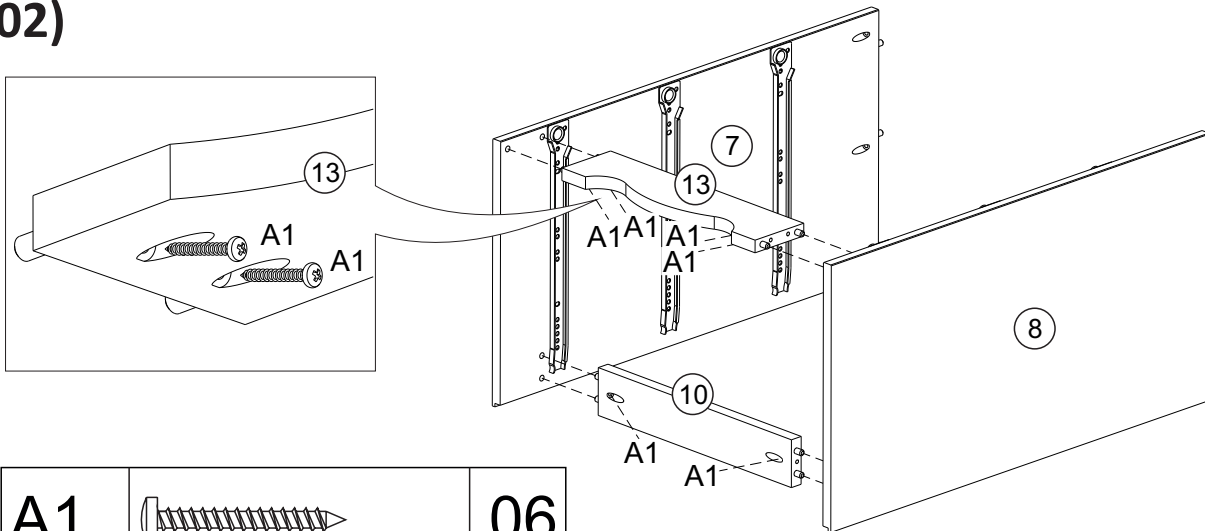



01)



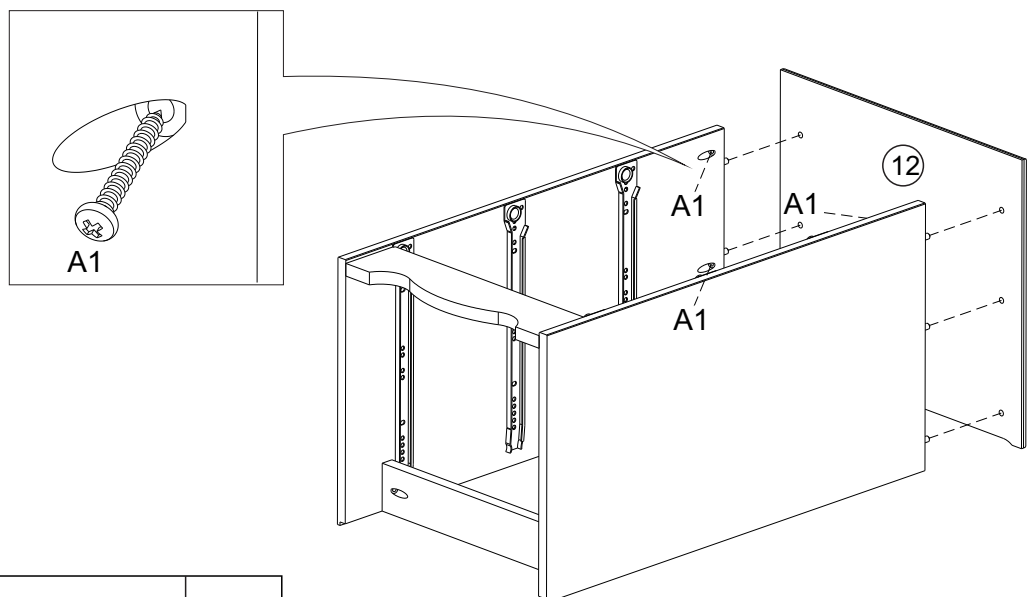
|    |   |    |
|----|---|----|
| C2 |  | 26 |
|    | 8,0x25  |    |


02)



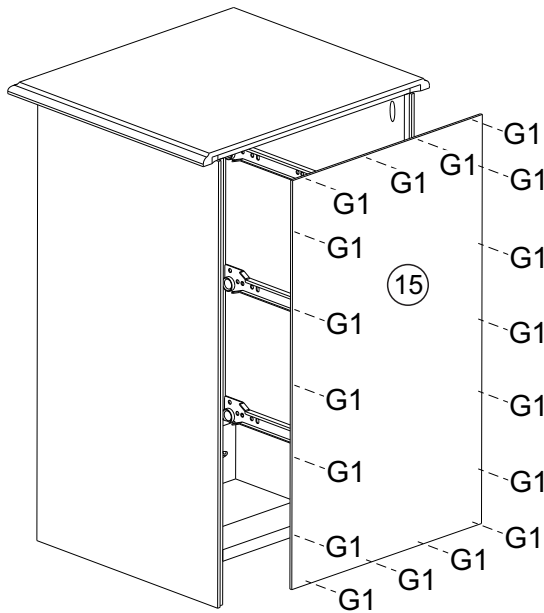
|    |   |    |
|----|---|----|
| A1 |  | 06 |
|    | 4,0x30  |    |

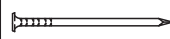
03)



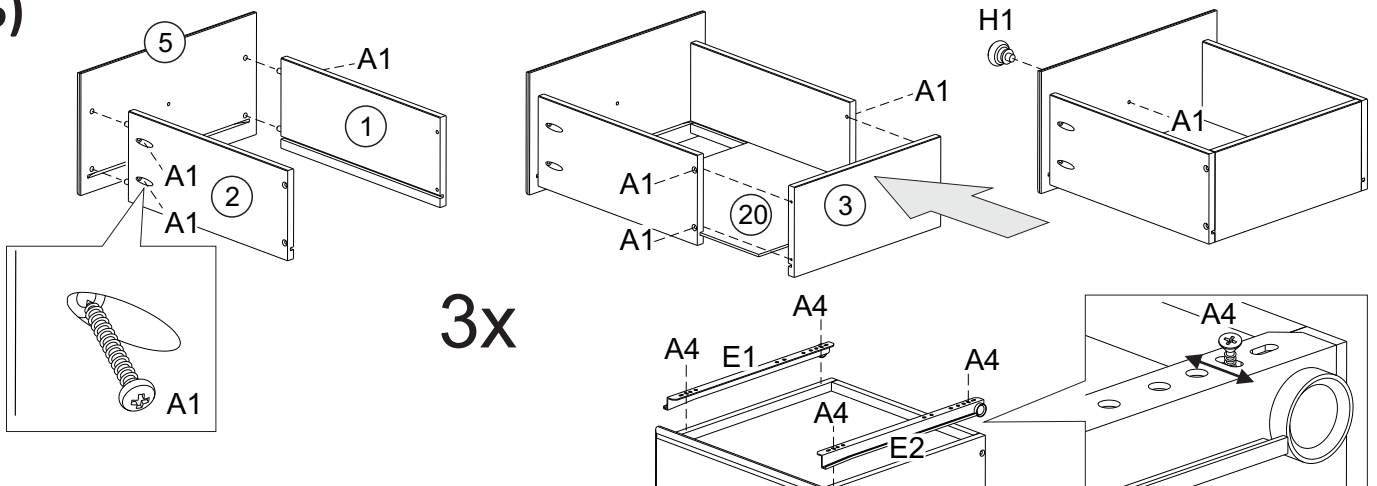
|    |   |    |
|----|---|----|
| A1 |  | 06 |
|    | 4,0x30  |    |

04)

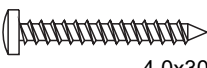

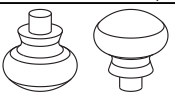


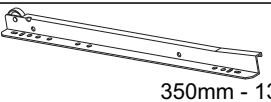
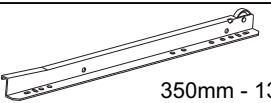
|           |   |           |
|-----------|---|-----------|
| <b>G1</b> |  | <b>18</b> |
|           |   | 10x10     |

05)



3x

|           |   |           |
|-----------|---|-----------|
| <b>A1</b> | <br>4,0x30 | <b>27</b> |
| <b>A4</b> | <br>3,5x14 | <b>12</b> |
| <b>H1</b> |            | <b>03</b> |

|           |  |           |
|-----------|--|-----------|
| <b>E1</b> | <br>350mm - 13 3/4" | <b>03</b> |
| <b>E2</b> | <br>350mm - 13 3/4" | <b>03</b> |

06)

