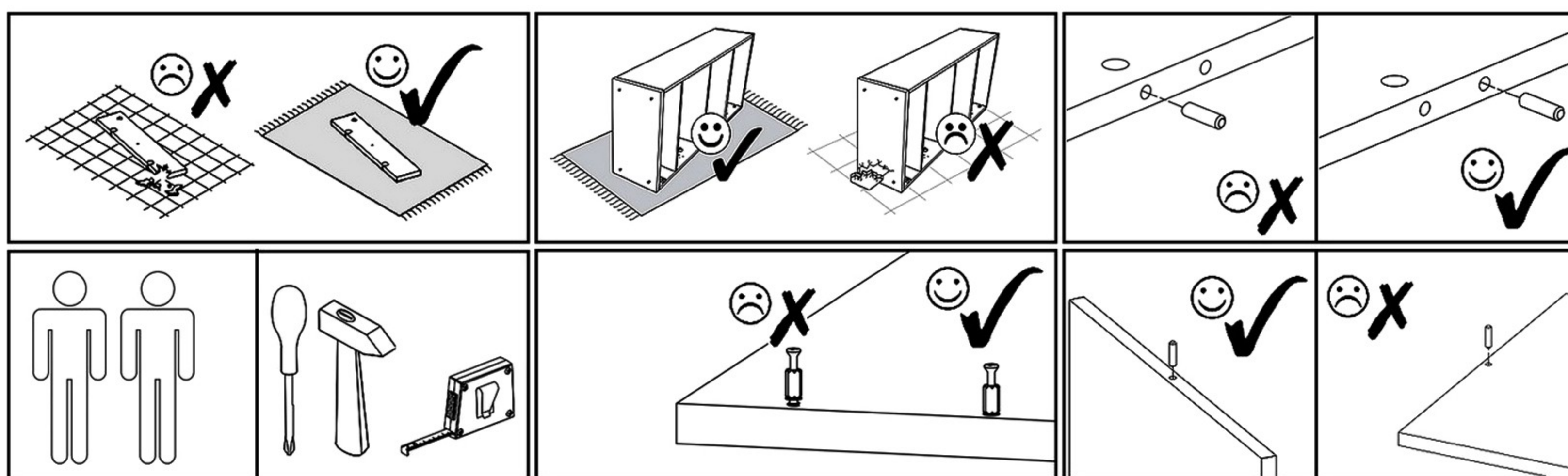
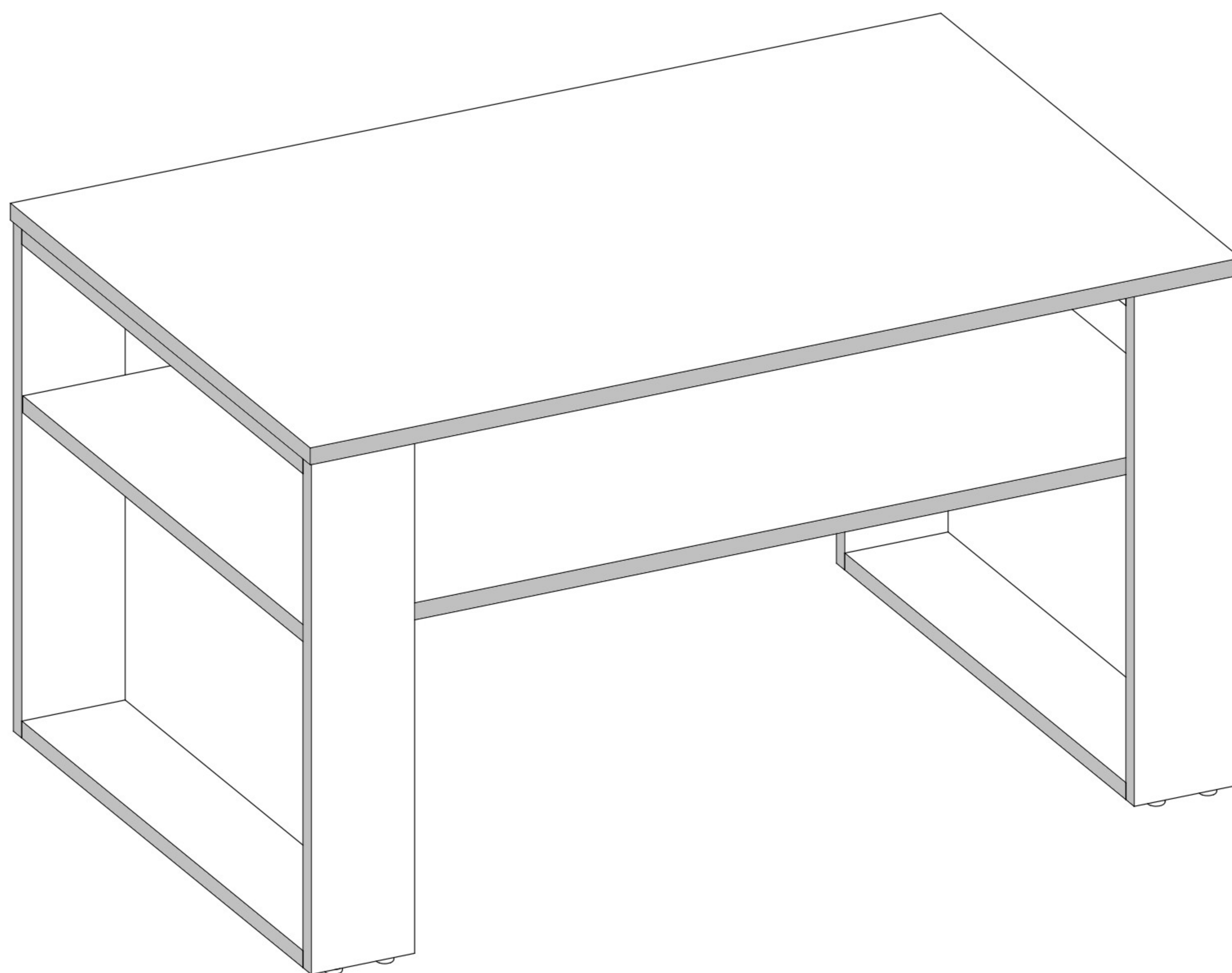
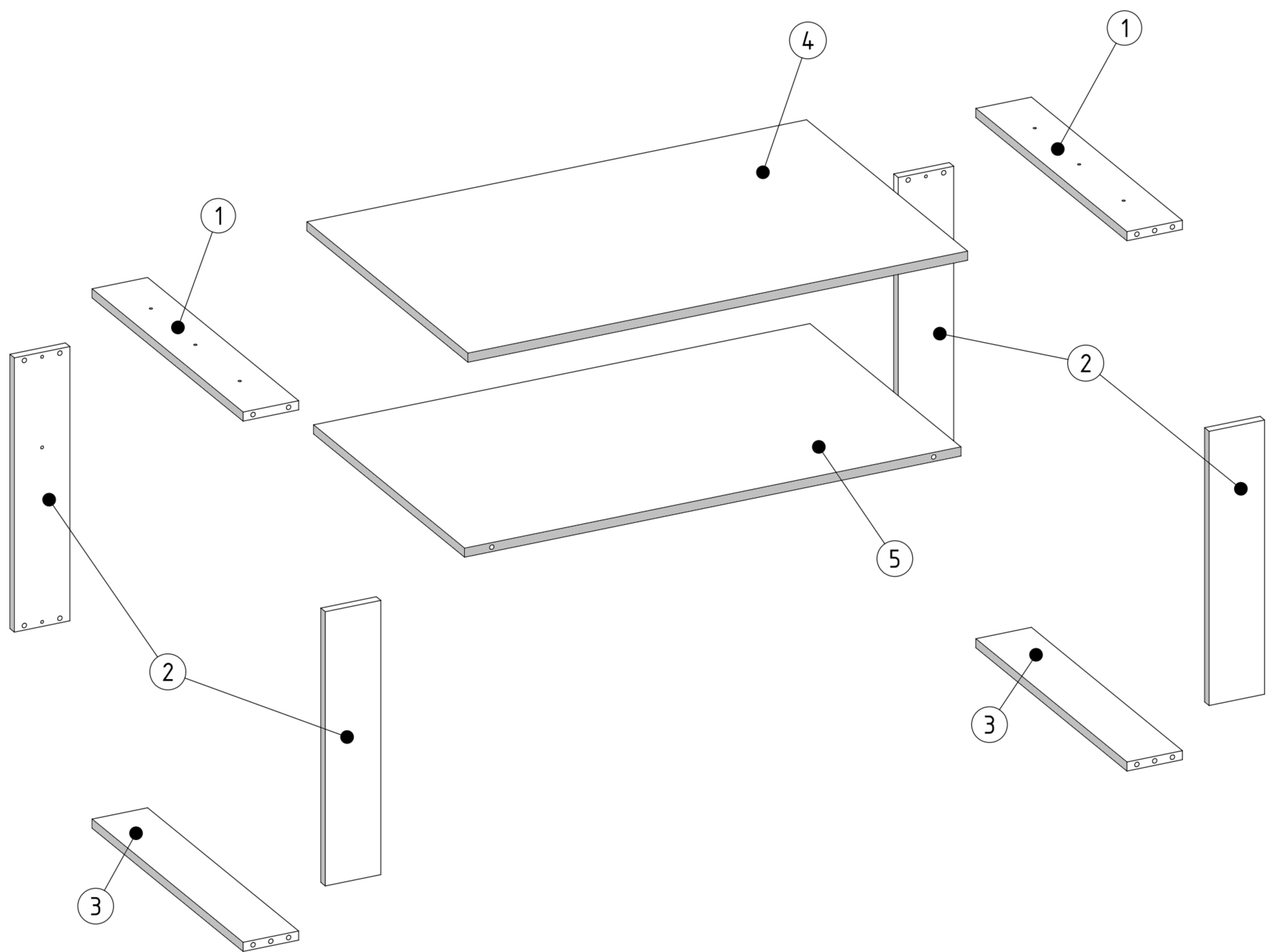


28/12/2023


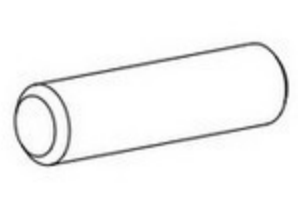
MODERN 1P

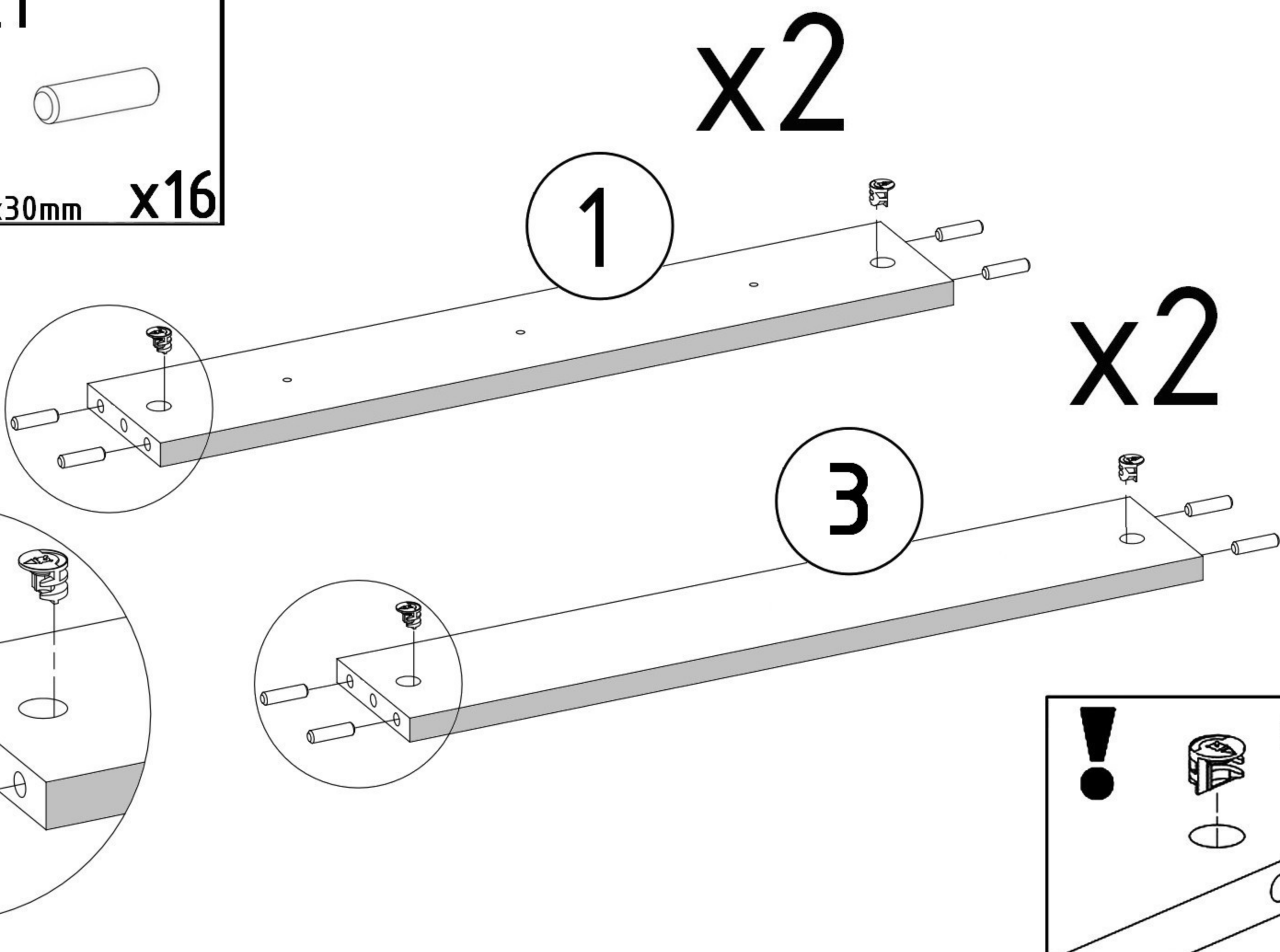




T1	M1	E1	V12	N1	S5
x8	x12	x16	x2	x12	x6
	12x15mm	8x30mm		L=35mm	4x30mm

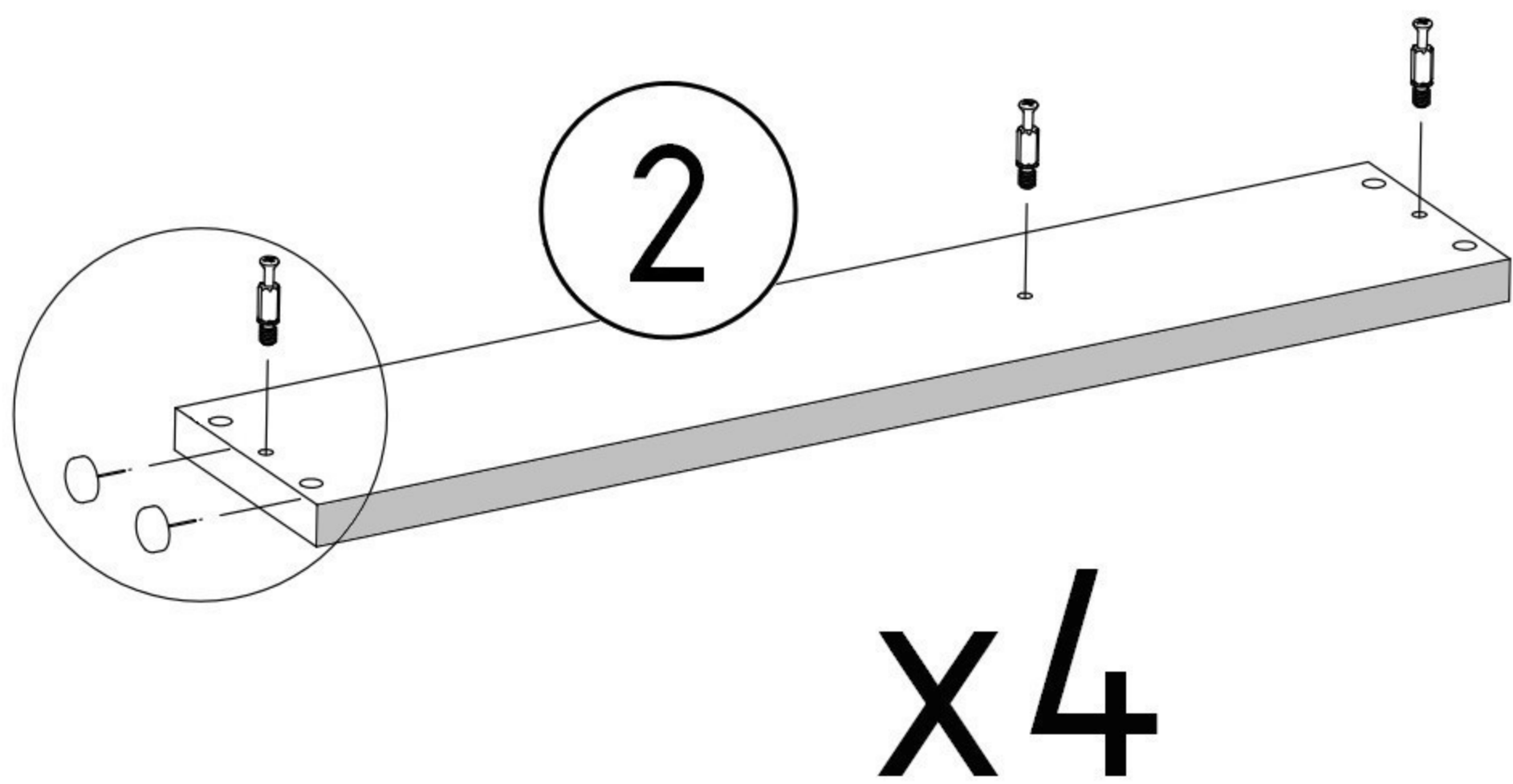



<b>1</b>	x	2
<b>2</b>	x	4
<b>3</b>	x	2
<b>4</b>	x	1
<b>5</b>	x	1

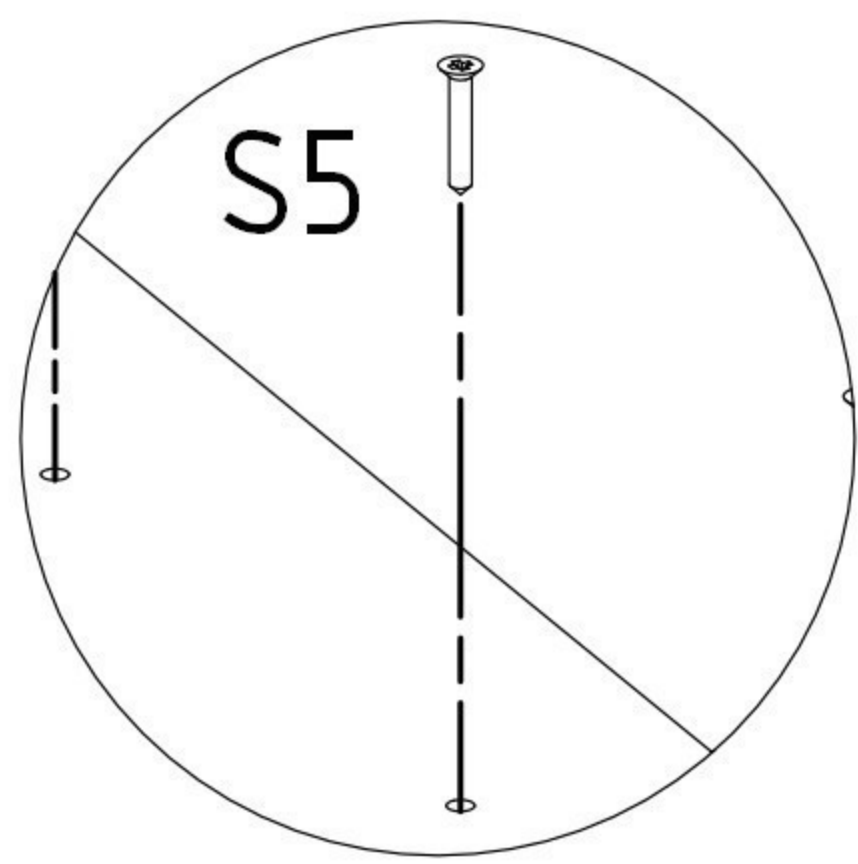
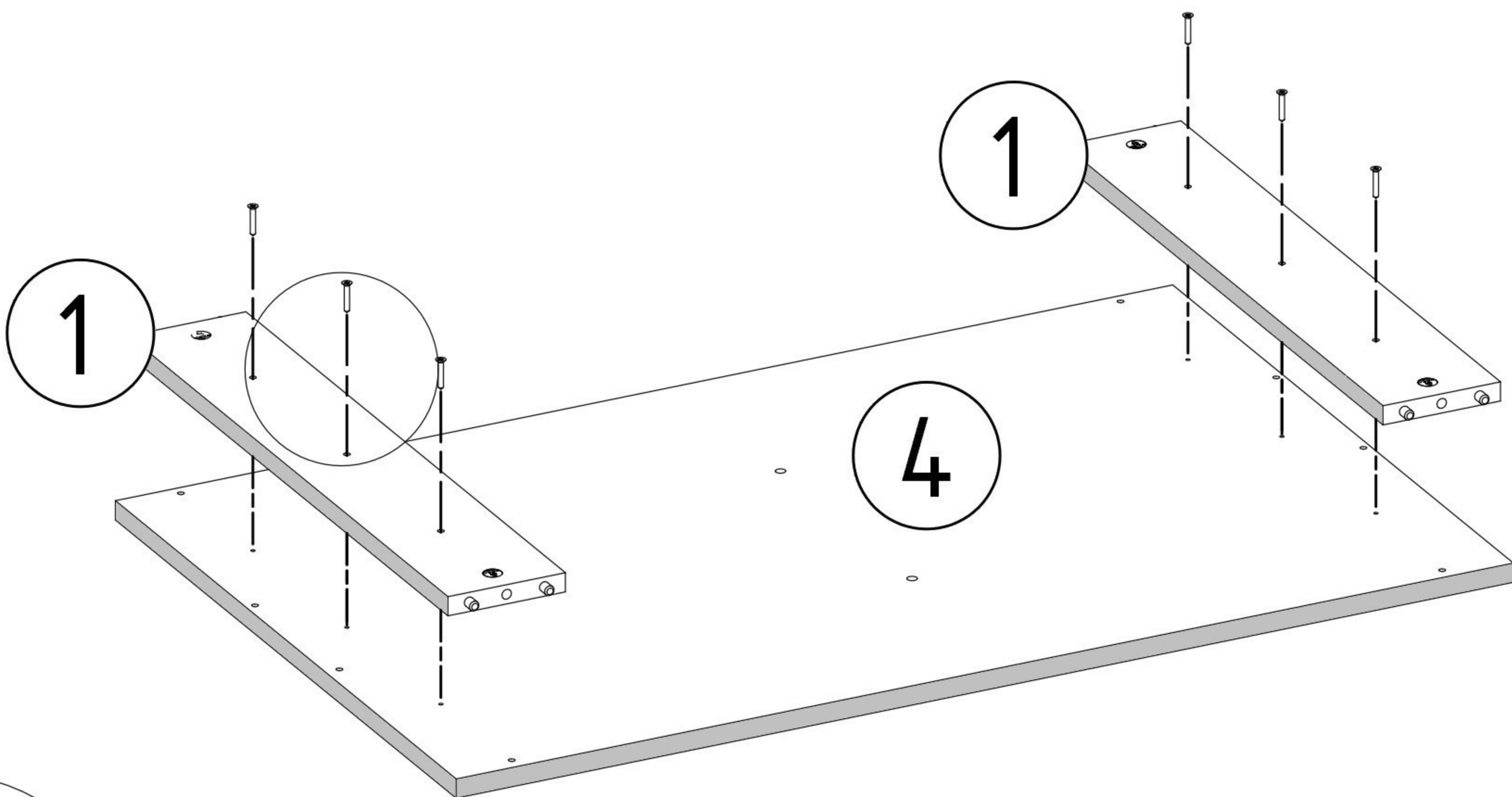
<b>M1</b>  12x15mm <b>x8</b>	<b>E1</b>  8x30mm <b>x16</b>
---	---



<b>N1</b>  L=35mm <b>x12</b>	<b>T1</b>  <b>x8</b>
--	---



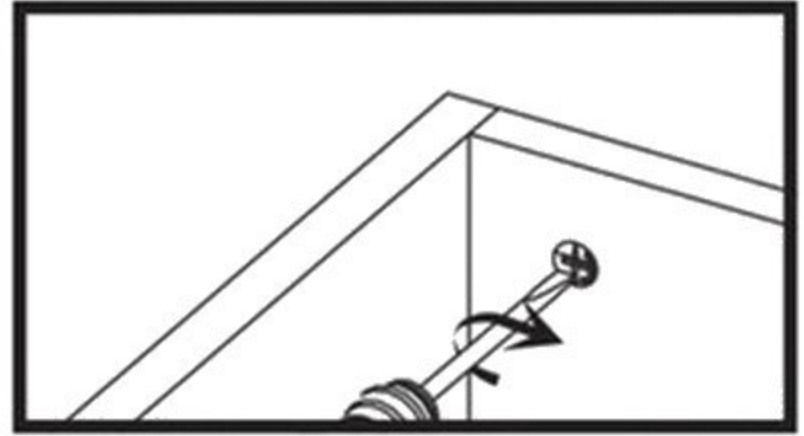
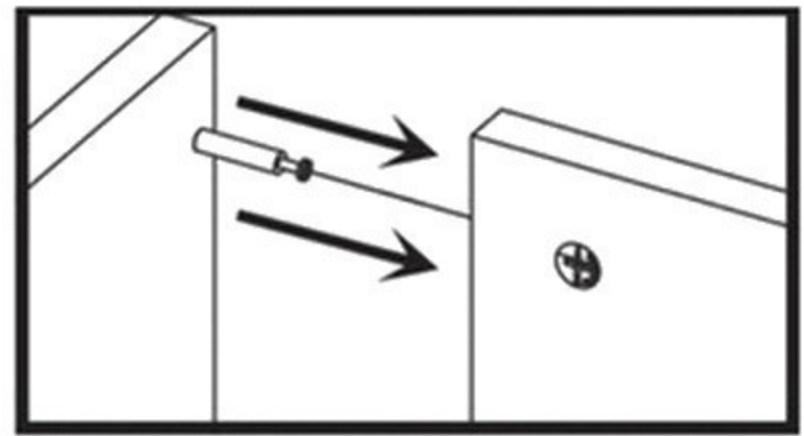
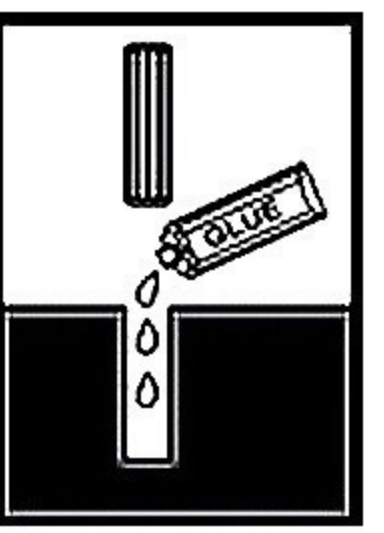
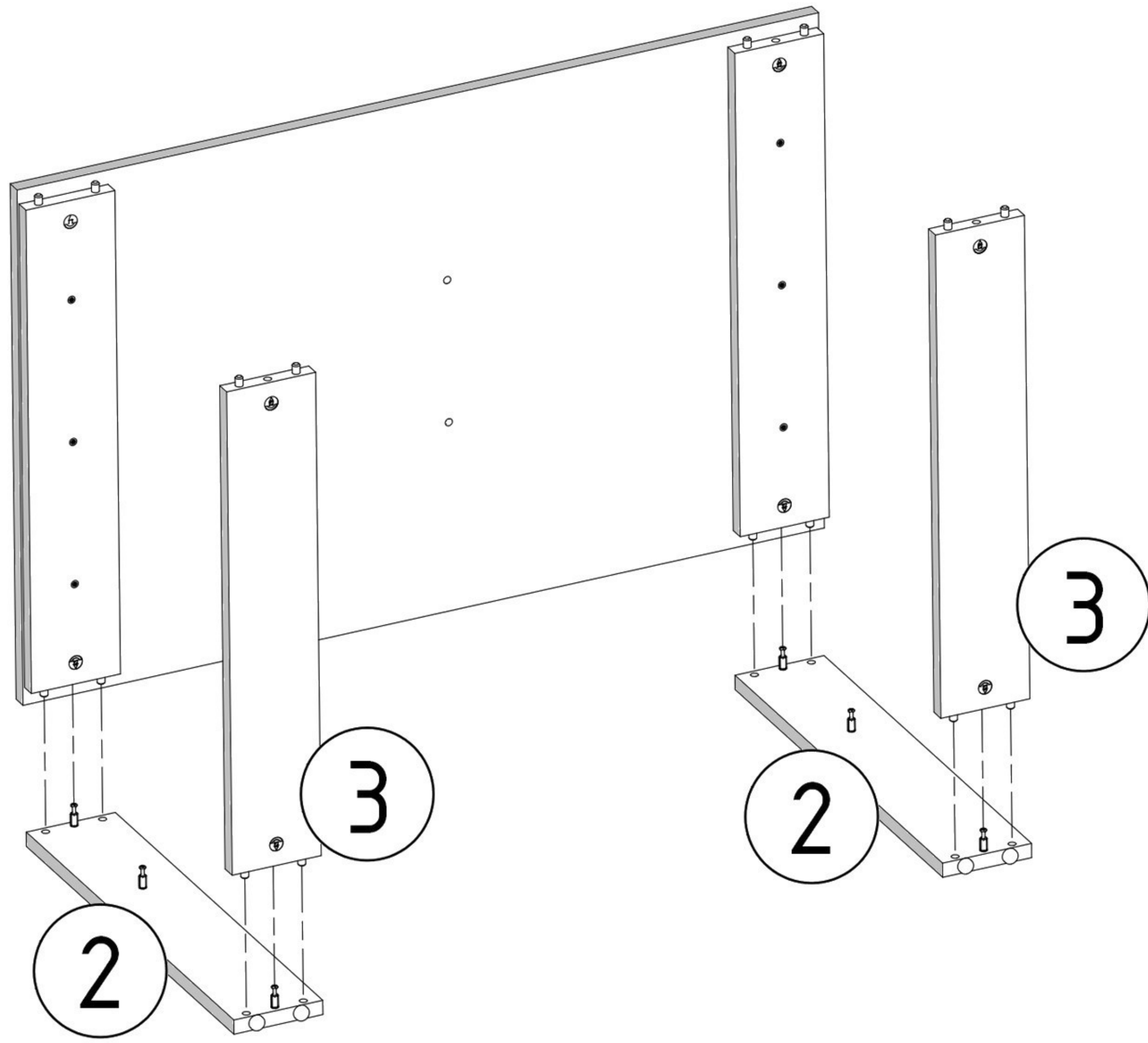
<b>S5</b>  4x30mm <b>x6</b>
---



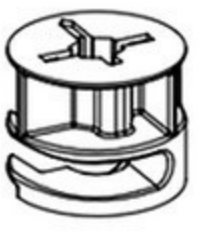
V12



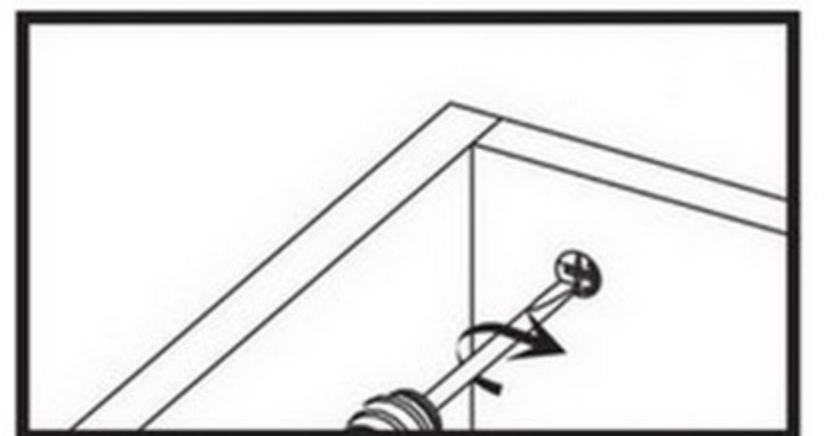
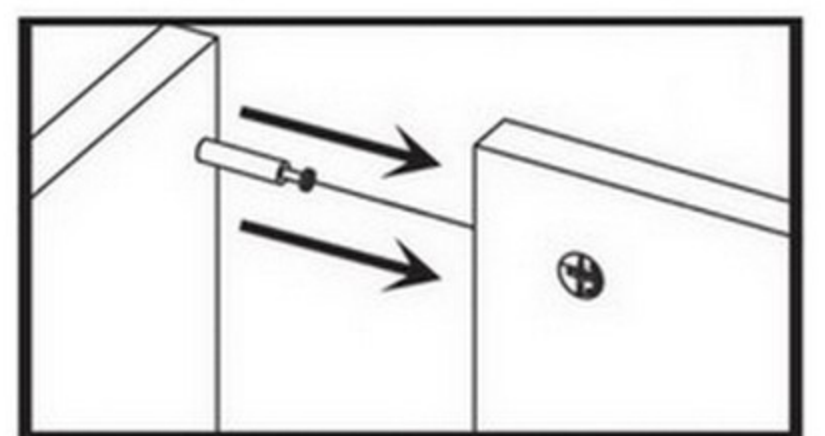
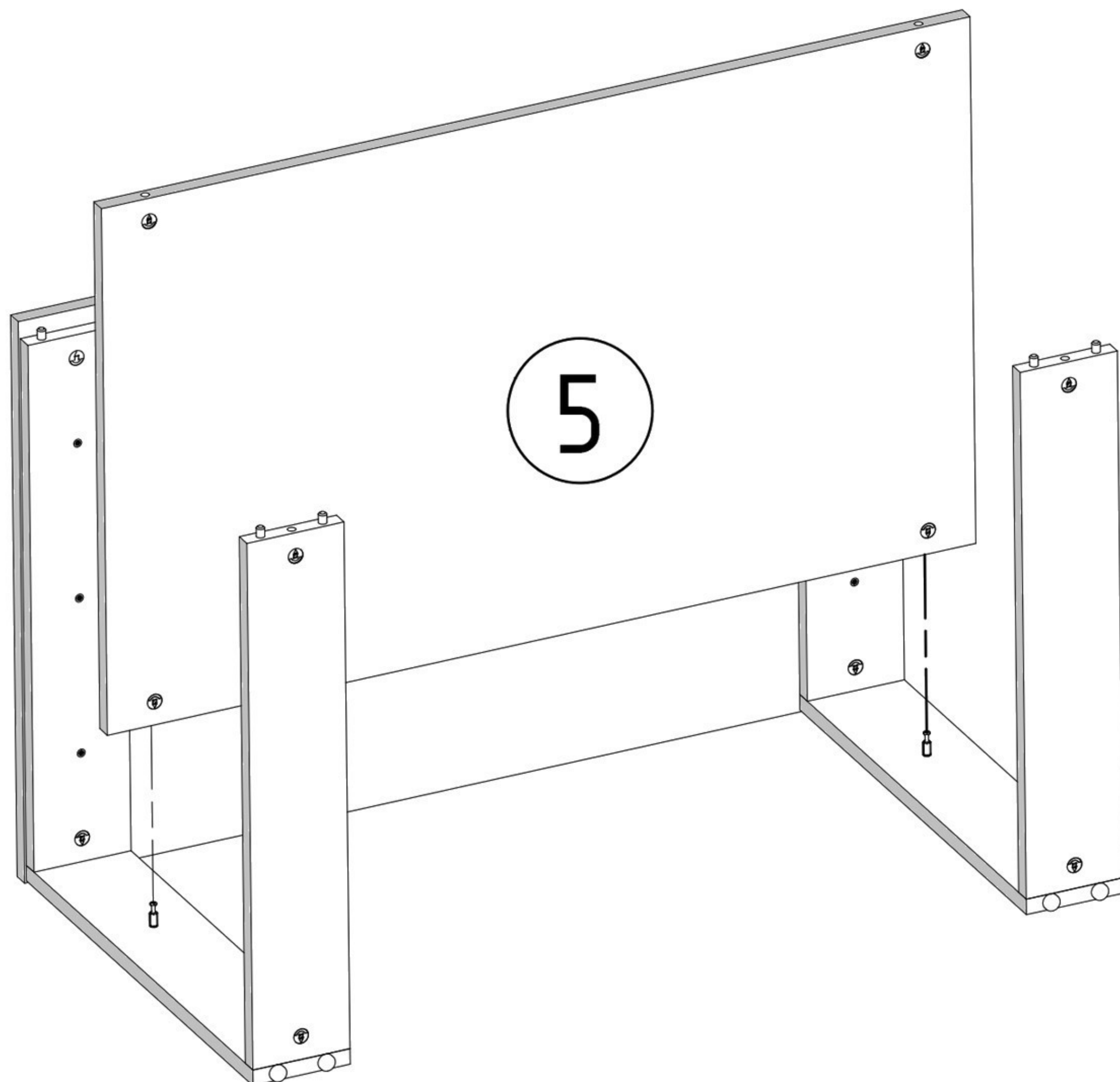
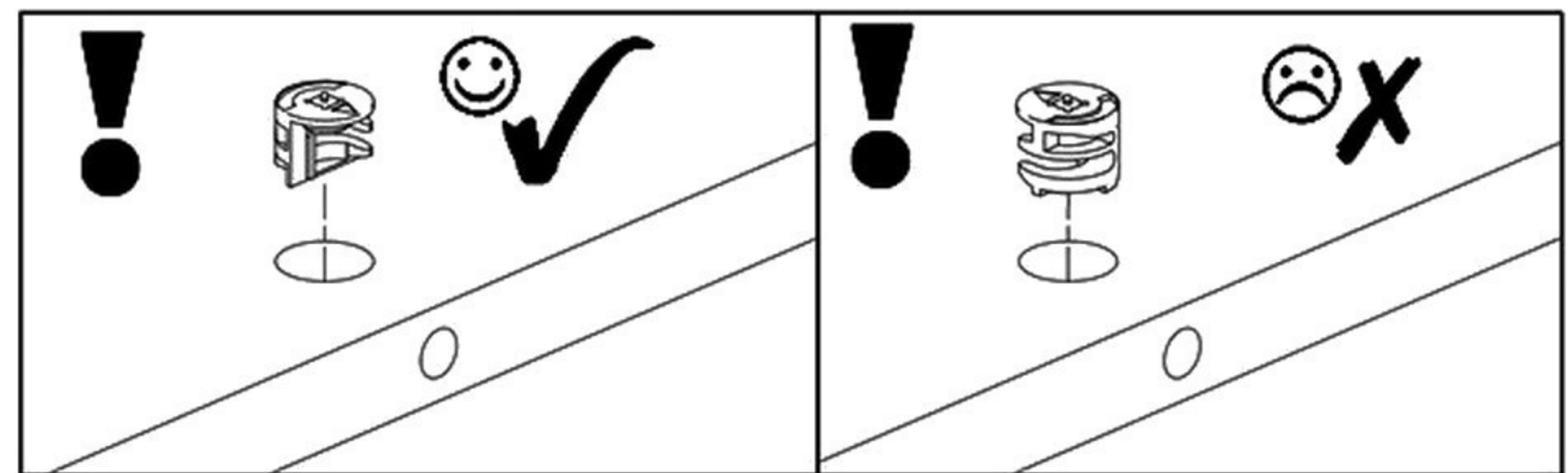
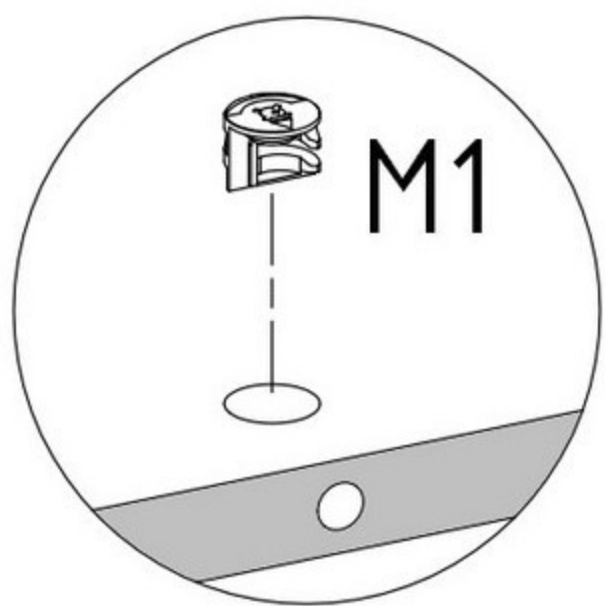
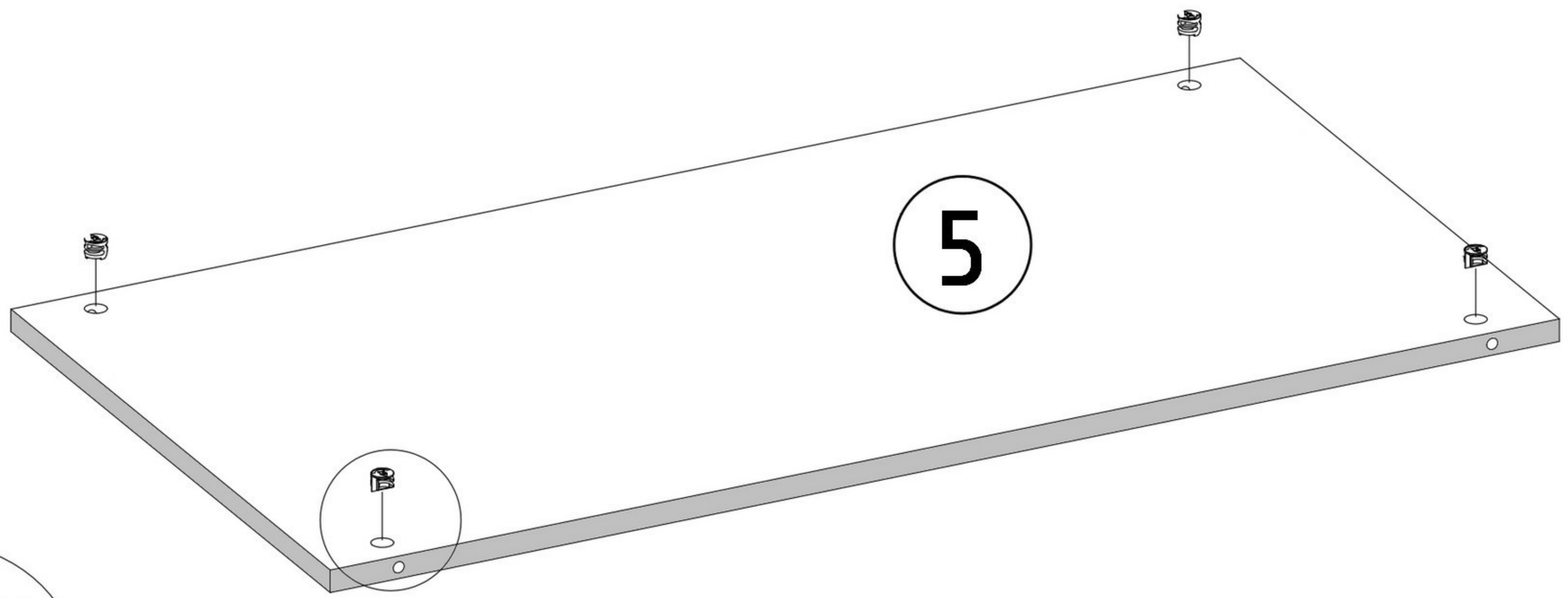
x1



M1



12x15mm x4



V12



x1

