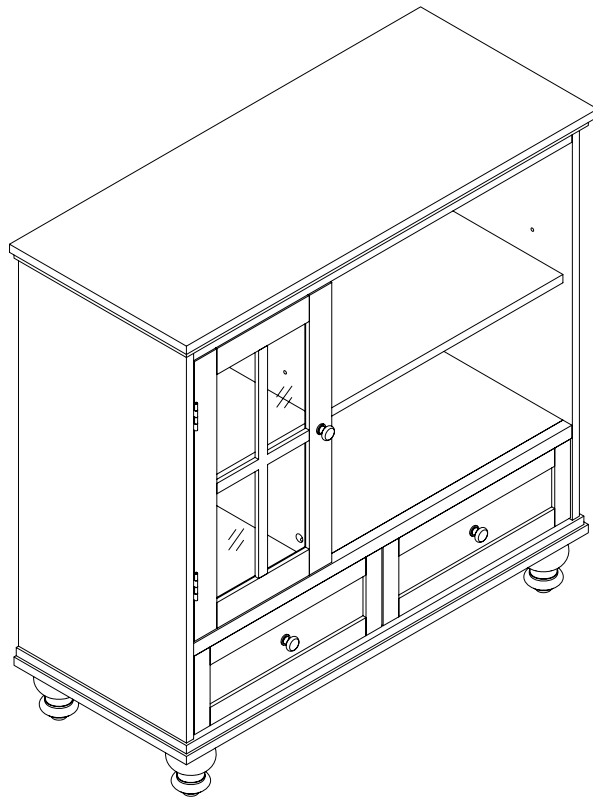


# Highboy TV Stand

















Please do not return to the store

. Broken or Missing Parts?

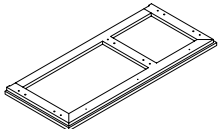
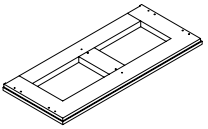
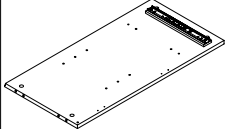
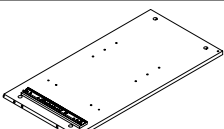
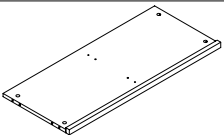
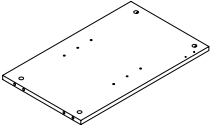
. Need help with Assembly?

If you have any questions just call or email us

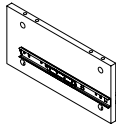
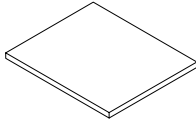
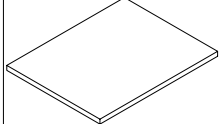
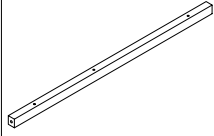
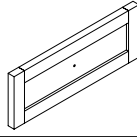
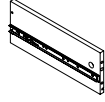
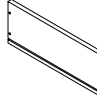
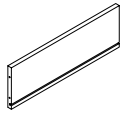
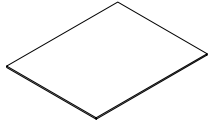
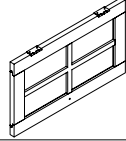
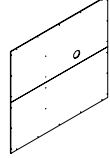
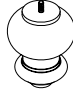
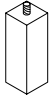
## HARDWARE LIST

CODE	NAME	FIGURE	Q'TY
A	CAM LOCK (Ø15*9mm)		24PCS
B	CAM BOLT (Ø6.5*35mm)		24PCS
C	WOOD DOWEL (Ø6*30mm)		30PCS
D	KNOB		3PCS
E	KNOB SCREW (Ø4*12mm)		2PCS
F	KNOB SCREW (Ø4*22mm)		1PC
G	WOOD SCREW (Ø7*25mm)		11PCS
H	MAGNET		1PC
I	MAGNET SCREW (Ø3*15mm)		2PCS
J	ROUND HEAD SCREW (Ø3*12mm)		26PCS
K	FLAT HEAD SCREW (Ø3*12mm)		4PCS
L	SHELF PIN		8PCS
M	WOOD GLUE		1PC
N	ALLEN WRENCH		1PC

## PARTS LIST

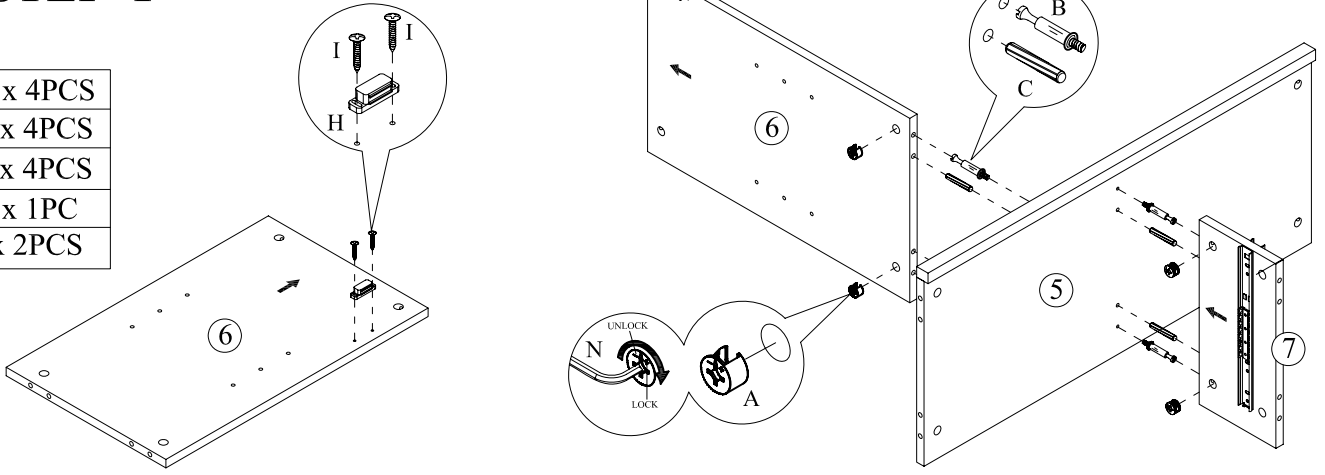
CODE	NAME	FIGURE	Q'TY
①	TOP PANEL		1PC
②	BOTTOM PANEL		1PC
③	LEFT SIDE PANEL		1PC
④	RIGHT SIDE PANEL		1PC
⑤	FIXED PANEL		1PC
⑥	LARGE PARTITION		1PC

## PARTS LIST

CODE	NAME	FIGURE	Q'TY
⑦	SMALL PARTITION		1PC
⑧	LEFT SIDE ADJUSTABLE SHELF		1PC
⑨	RIGHT SIDE ADJUSTABLE SHELF		1PC
⑩	FRONT CROSSBAR		1PC
⑪	FRONT PANEL OF DRAWER		2PCS
⑫	LEFT DRAWER PANEL		2PCS
⑬	RIGHT DRAWER PANEL		2PCS
⑭	BACK DRAWER PANEL		2PCS
⑮	BOTTOM DRAWER PANEL		2PCS
⑯	DOOR		1PC
⑰	BACK PANEL		1PC
⑱	FOOT		4PCS
⑲	LEG		1PC

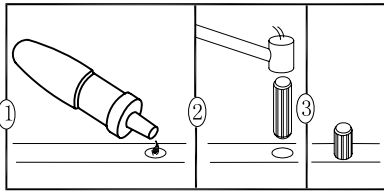
# STEP 1

A x 4PCS
B x 4PCS
C x 4PCS
H x 1PC
I x 2PCS

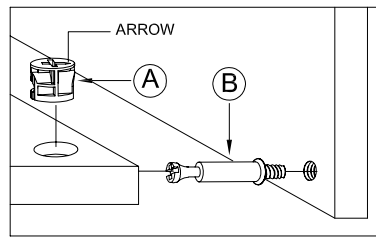


- (1) ATTACH CAMLOCKS AND HARDWARE AS SHOWN.
- (2) CONNECT PIECES.
- (3) GENTLY TIGHTEN CAMLOCKS.

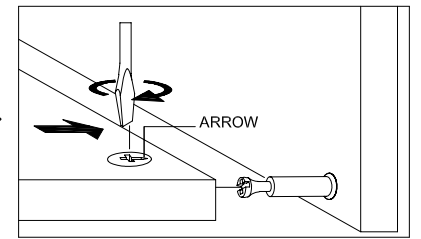
## HOW TO USE THE CAMLOCK SYSTEM



APPLY GLUE AND TAP IN WOOD DOWELS



INSERT HARDWARE

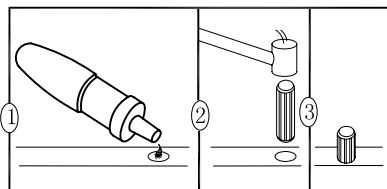
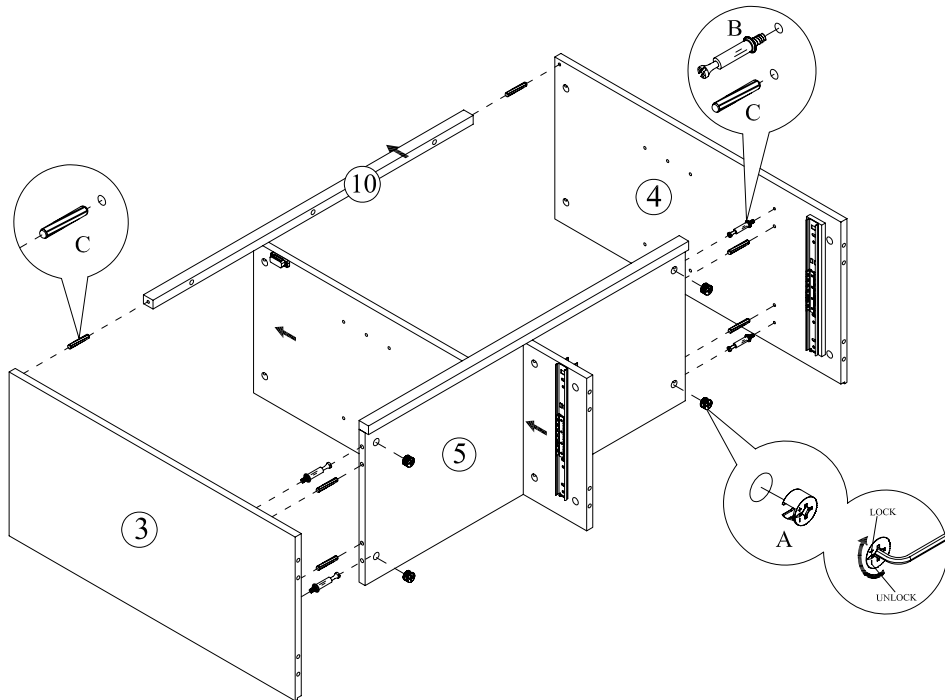


CONNECT PANELS AND GENTLY TIGHTEN CAMLOCKS

• NOTE: THE ARROWS ON THE HIDDEN CAM-LOCKS SHOULD POINT TO THE CAM-BOLTS.

# STEP 2

A x 4PCS
B x 4PCS
C x 6PCS

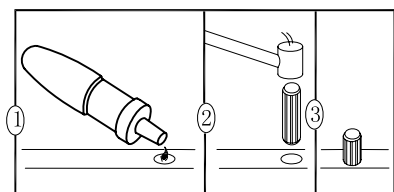
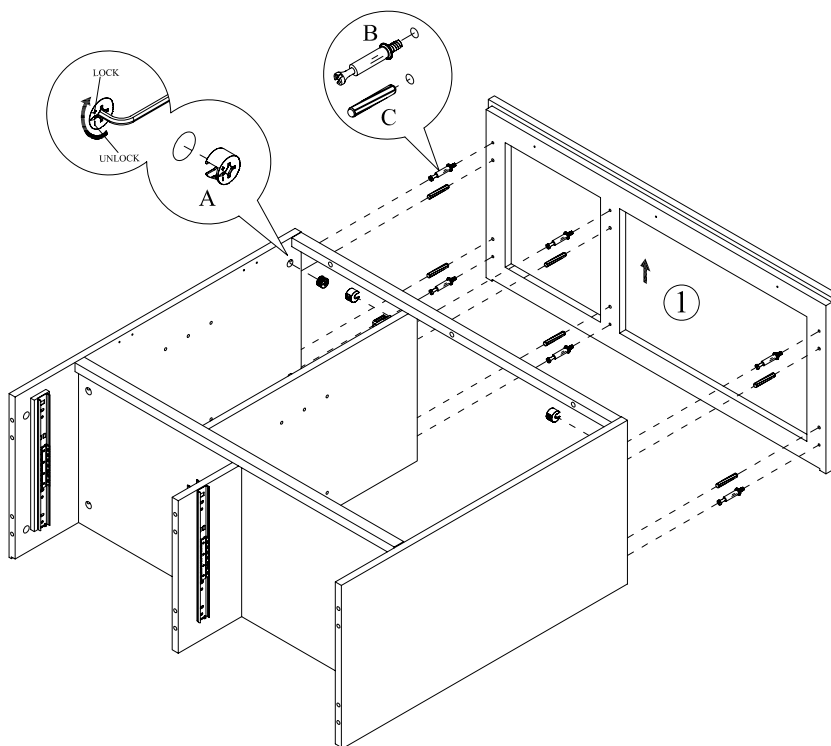


APPLY GLUE AND TAP IN WOOD DOWELS

- (1) ATTACH CAMLOCKS AND HARDWARE .
- (2) CONNECT PIECES TO UNIT.
- (3) GENTLY TIGHTEN CAMLOCKS.

## STEP 3

A x 6PCS
B x 6PCS
C x 6PCS

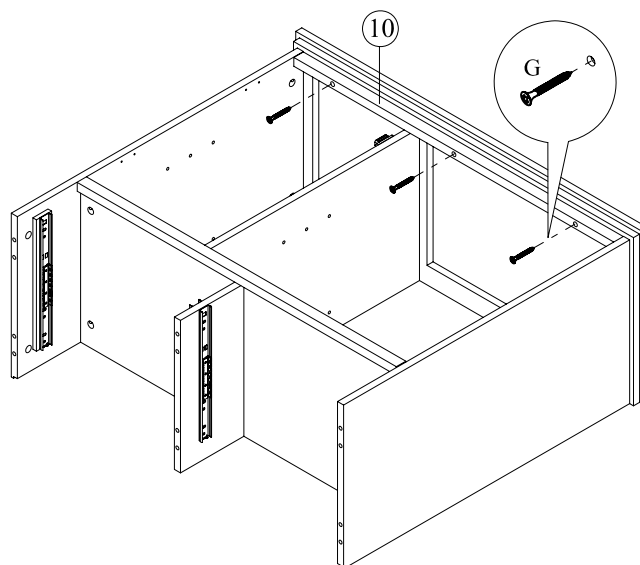


APPLY GLUE AND TAP IN WOOD DOWELS

(1) CONNECT TOP PANEL (1) TO UNIT USING CAMLOCK SYSTEM.

## STEP 4

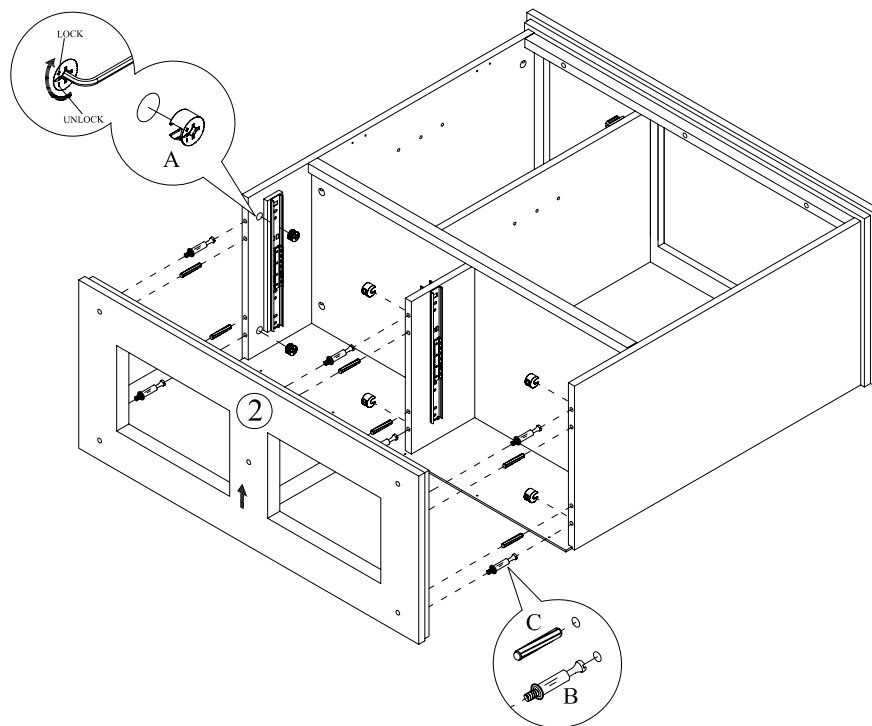
(1) ATTACH FRONT CROSSBAR (10) TO UNIT USING WOOD SCREWS (G).



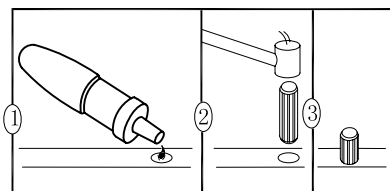
G x 3PCS

## STEP 5

A x 6PCS
B x 6PCS
C x 6PCS

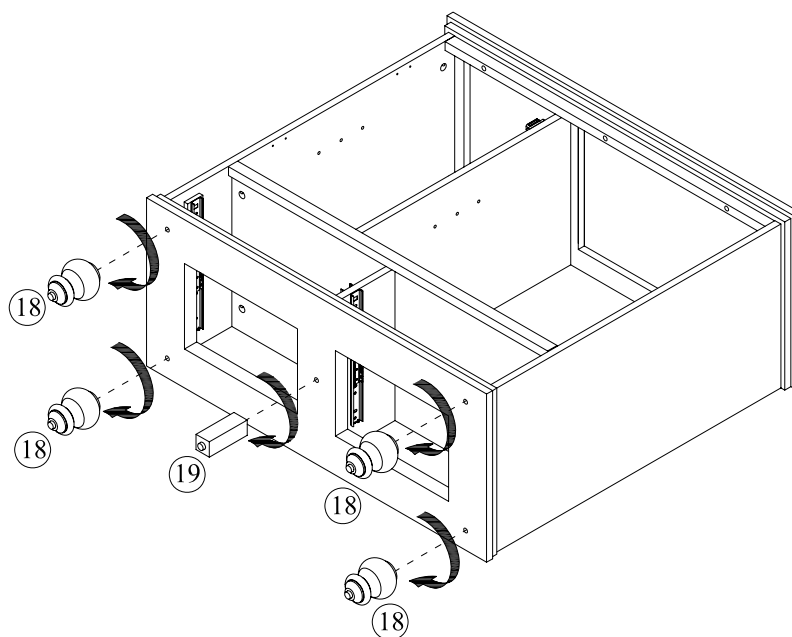


(1) ATTACH BOTTOM PANEL (2) TO UNIT USING CAMLOCK SYSTEM.



APPLY GLUE AND TAP IN WOOD DOWELS

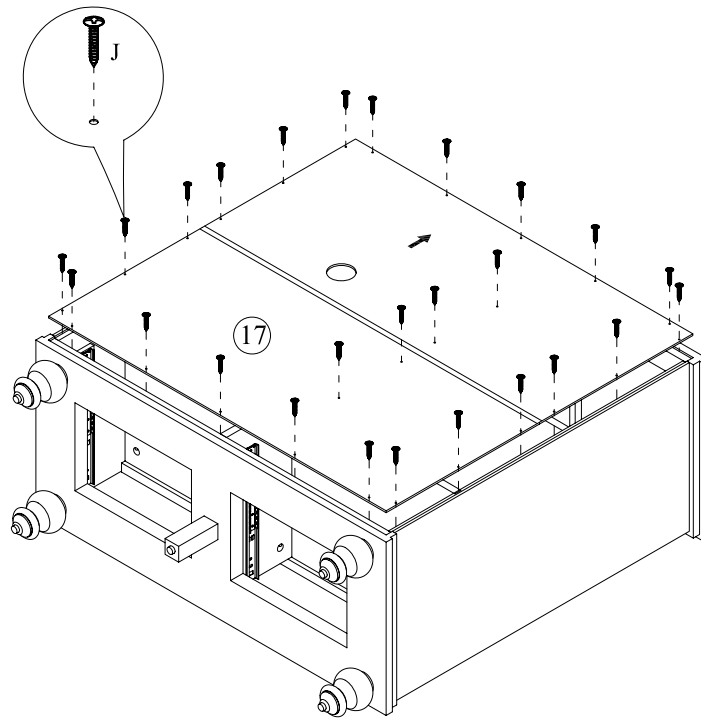
## STEP 6



(1) ATTACH FEET (18) & (19) TO UNIT .

## STEP 7

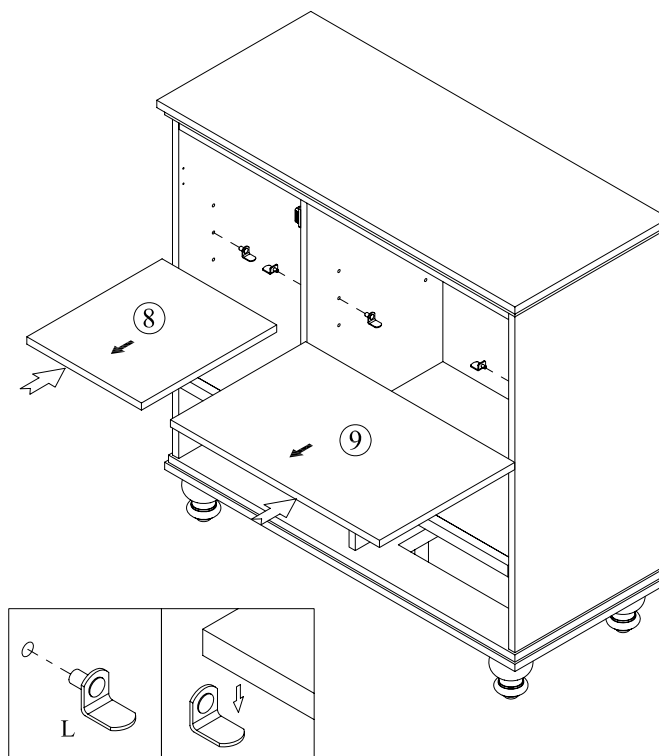
J x 26PCS



(1) FASTEN BACK PANEL TO UNIT WITH ROUND HEAD SCREW (J).

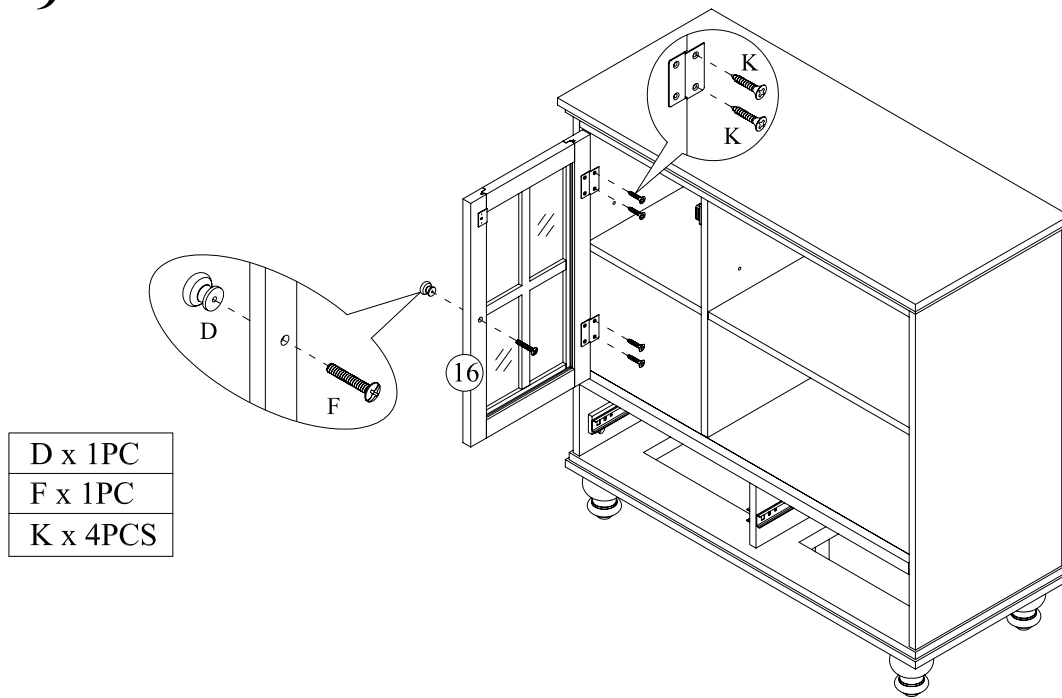
## STEP 8

L x 8PCS



- (1) INSERT SHELF BRACKETS.
- (2) SLIDE IN SHELVES ⑧ & ⑨.

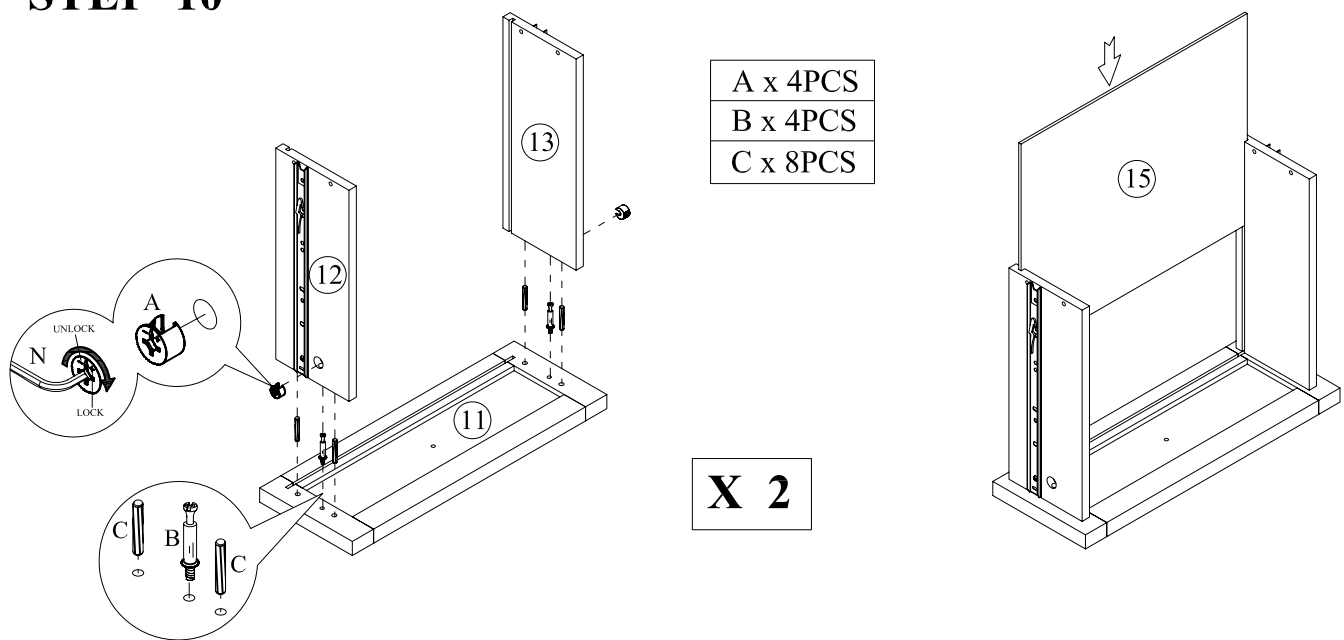
# STEP 9



D x 1PC
F x 1PC
K x 4PCS

- (1) USING SCREWS(K), ATTACH DOOR TO UNIT.
- (2) ATTACH KNOBS TO DOOR AS SHOWN.

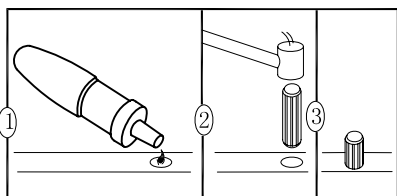
# STEP 10



A x 4PCS
B x 4PCS
C x 8PCS

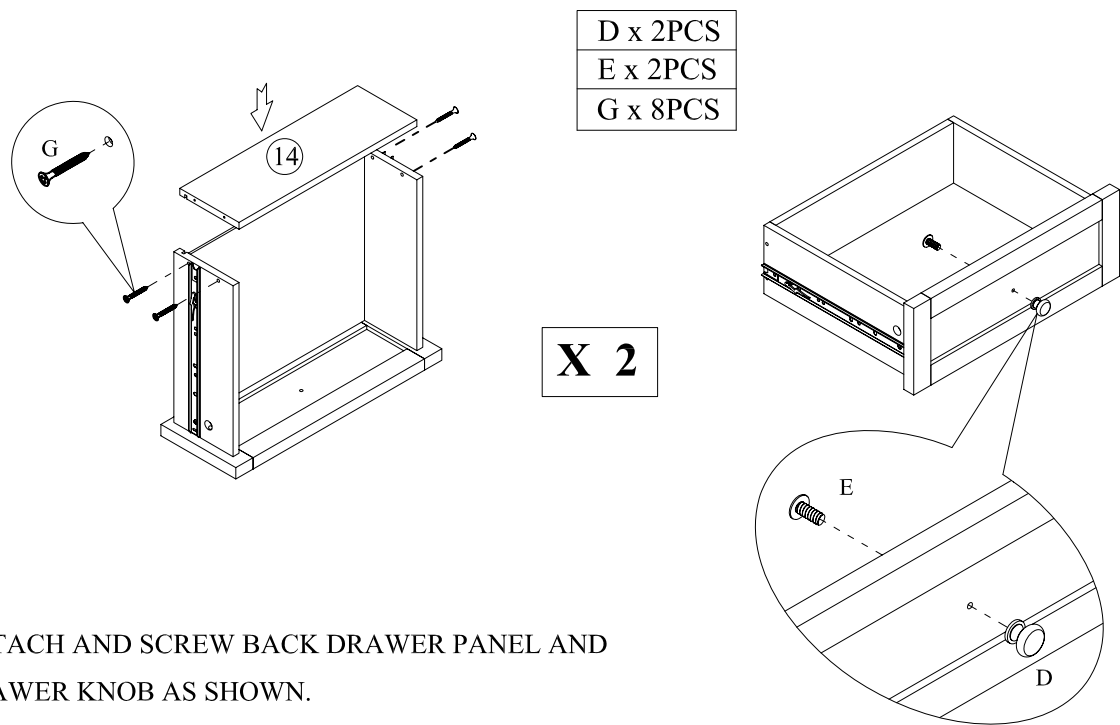
**X 2**

- (1) ATTACH CAMLOCK HARDWARE TO PANELS.
- (2) GENTLY TIGHTEN CAMLOCKS.
- (3) SLIDE DRAWER BOTTOM (15) INTO DRAWER ASSEMBLY.

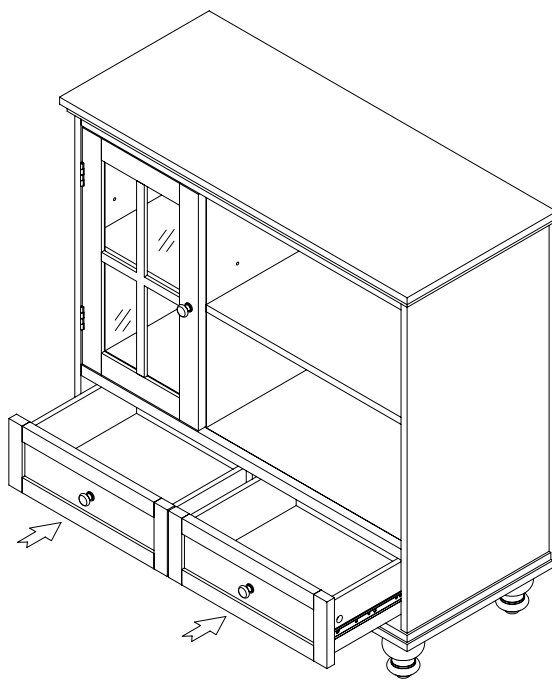


APPLY GLUE AND TAP IN WOOD DOWELS

## STEP 11



## STEP 12



GENTLY SLIDE DRAWERS INTO YOUR TV STAND AND ENJOY!