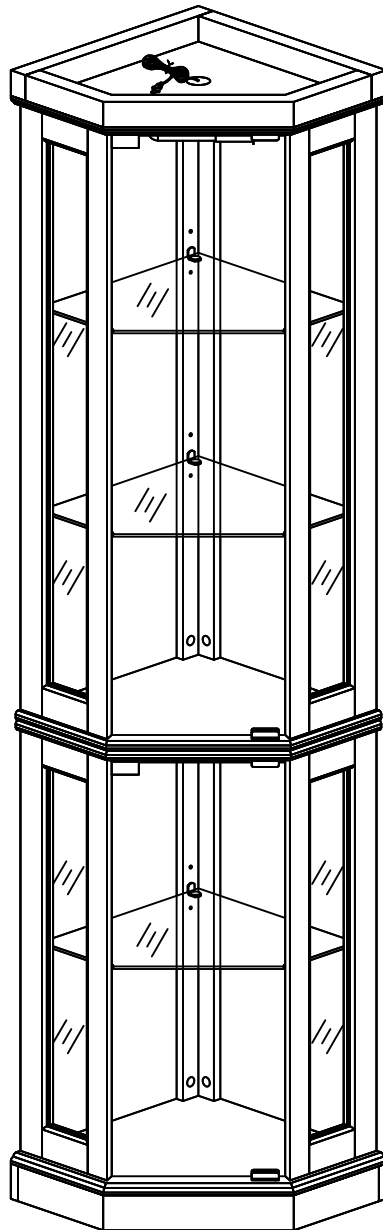
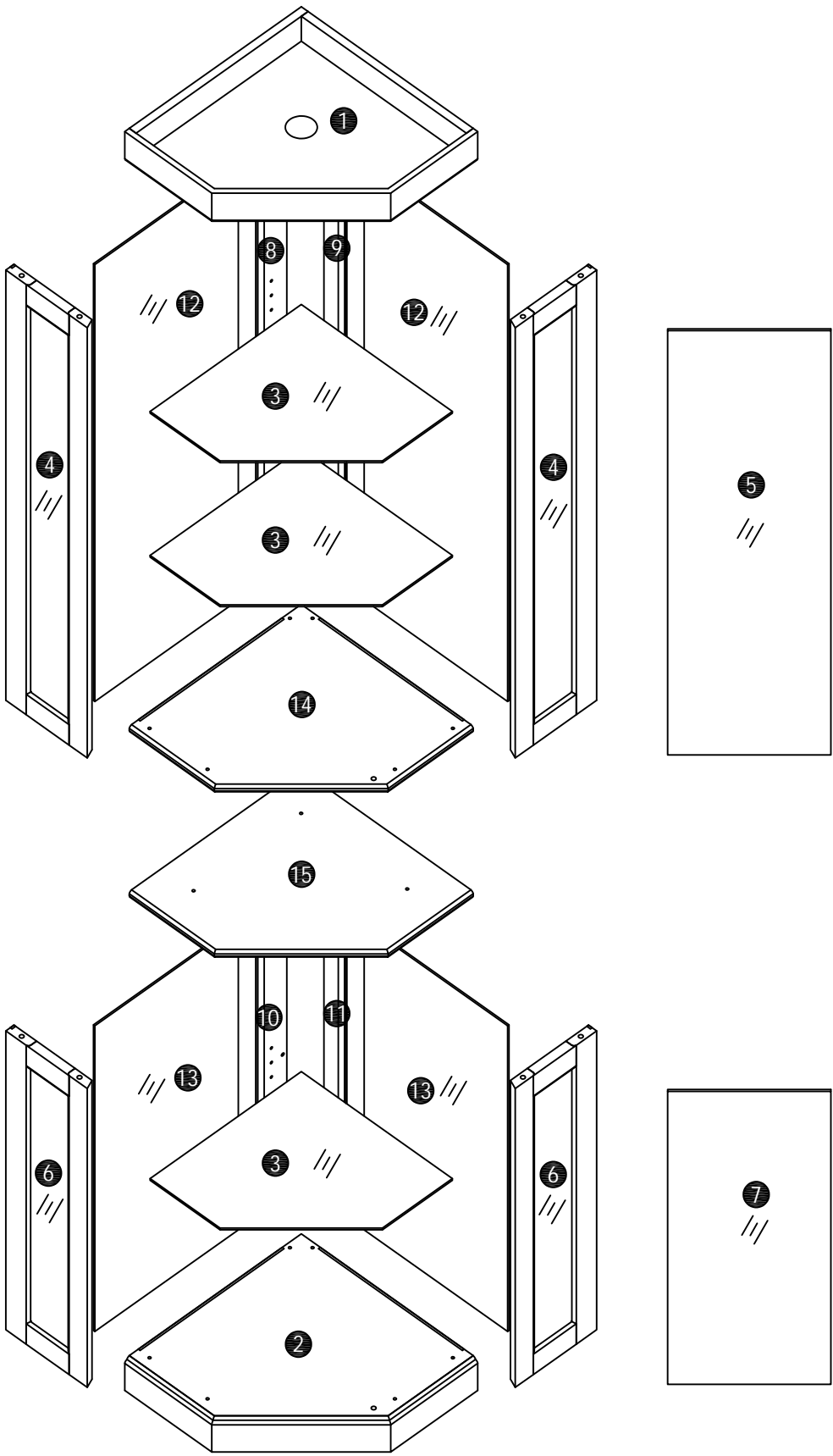


# Corner Glass Cabinet With Frame

## Assembly Instruction

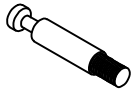


# List of Parts



# Hardware

A x 24+2



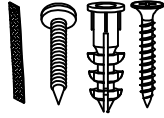
Ø6 x 34mm

B x 24+2



Ø15 x 10mm

C x 2

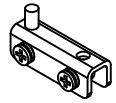


D x 48+2

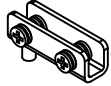


Ø3.5\*12mm

E x 2



F x 2



G x 2



H x 24+2



Ø25mm

I x 1



J x 6+1



Ø3.5\*35mm

K x 15

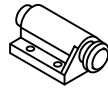


L x 2+1



Ø3.5\*14mm

M x 2



N x 3

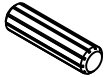


O x 3+1



Ø6\*25mm

P x 4+1



Ø8 x 30mm

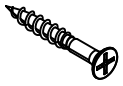
Q x 8+1



Ø3\*16mm

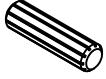
# STEP1

J x 6

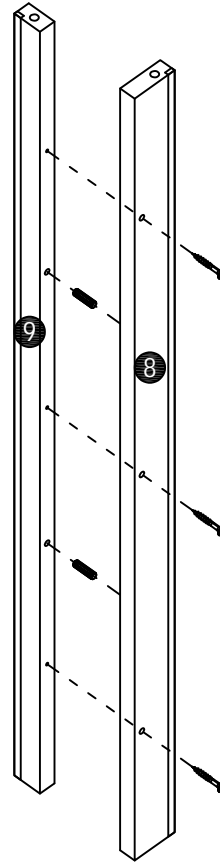
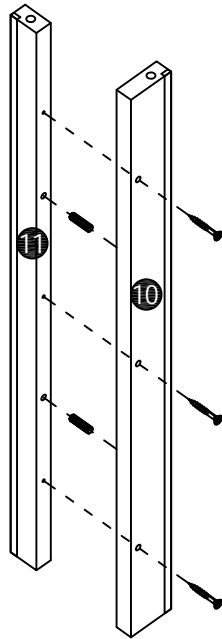


Ø3.5\*35mm

P x 4



Ø8 x 30mm



# STEP2

A x 12



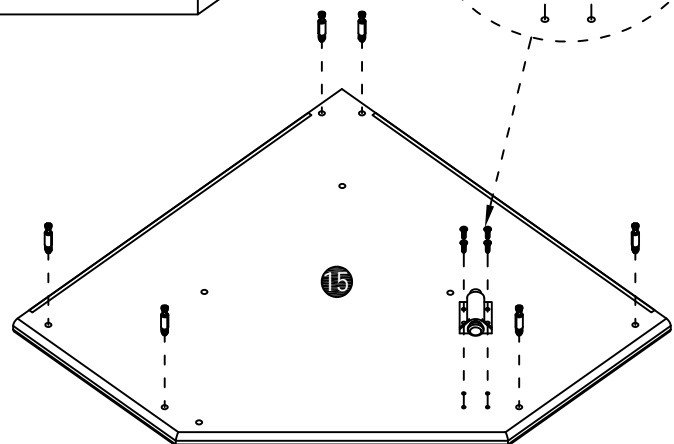
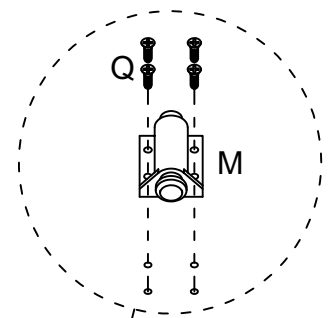
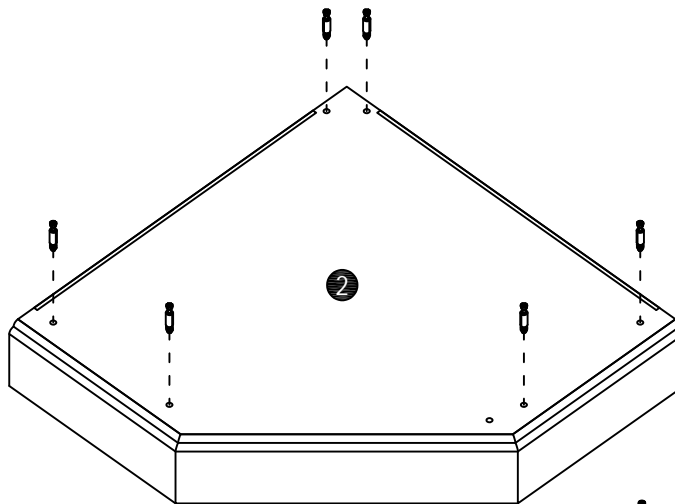
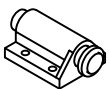
Ø6 x 34mm

Q x 4



Ø3\*16mm

M x 1

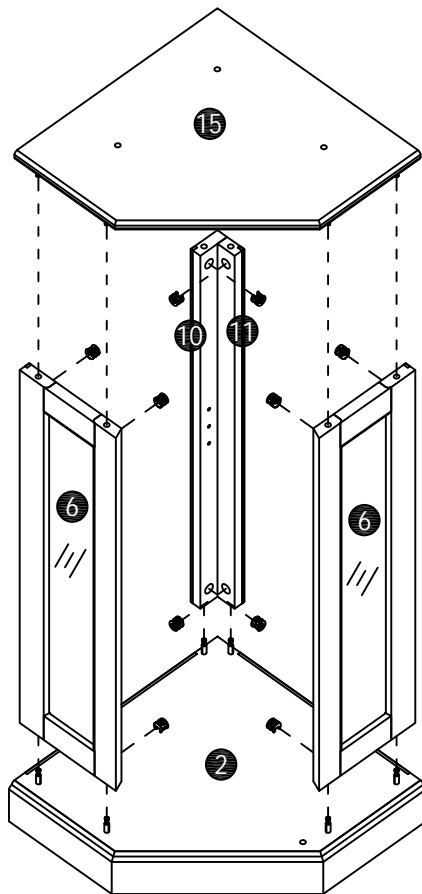


## STEP3

B x 12

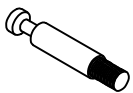


Ø15 x 10mm

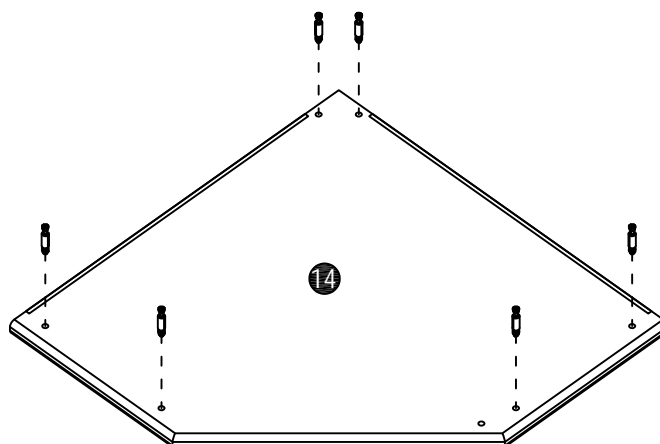


## STEP4

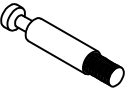



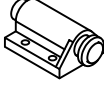
A x 6

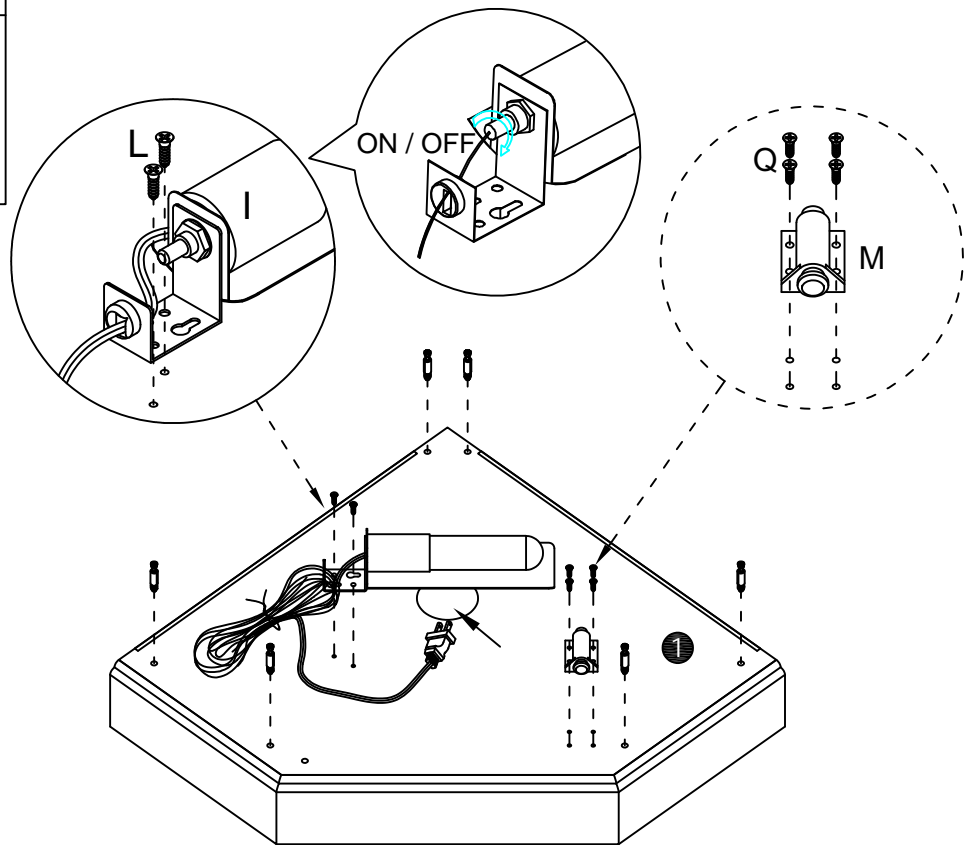


Ø6 x 34mm




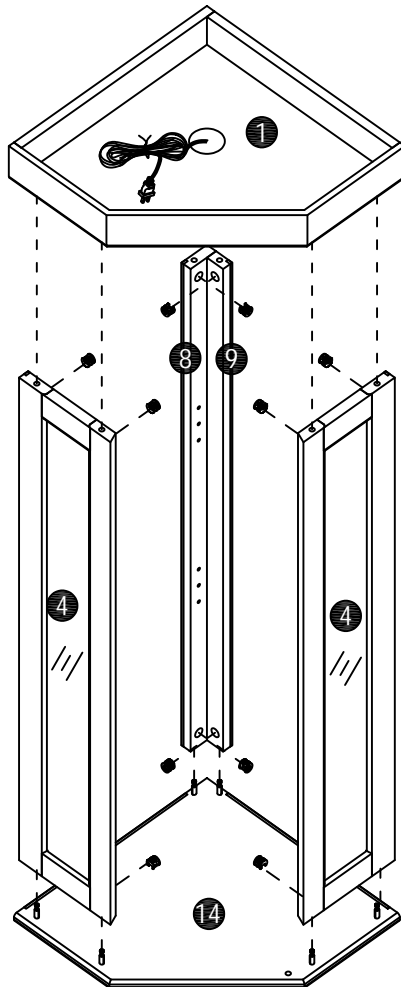
# STEP5

A x 6	Q x 4
	
Ø6 x 34mm	Ø3*16mm
L x 2	
	
Ø3.5*14mm	
I x 1	
	
M x 1	
	



# STEP6

B x 12

Ø15 x 10mm

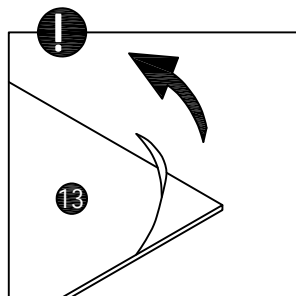


## STEP7

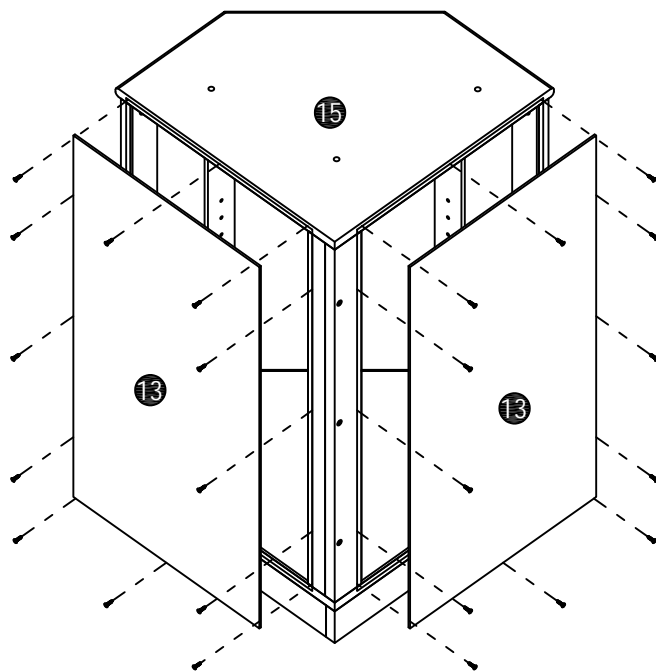
D x 24



Ø3.5\*12mm



Remove protective film  
on the mirror panel.

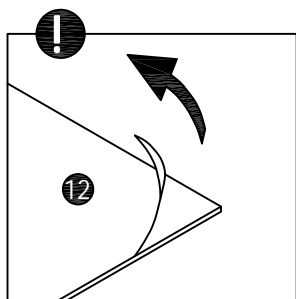


## STEP8

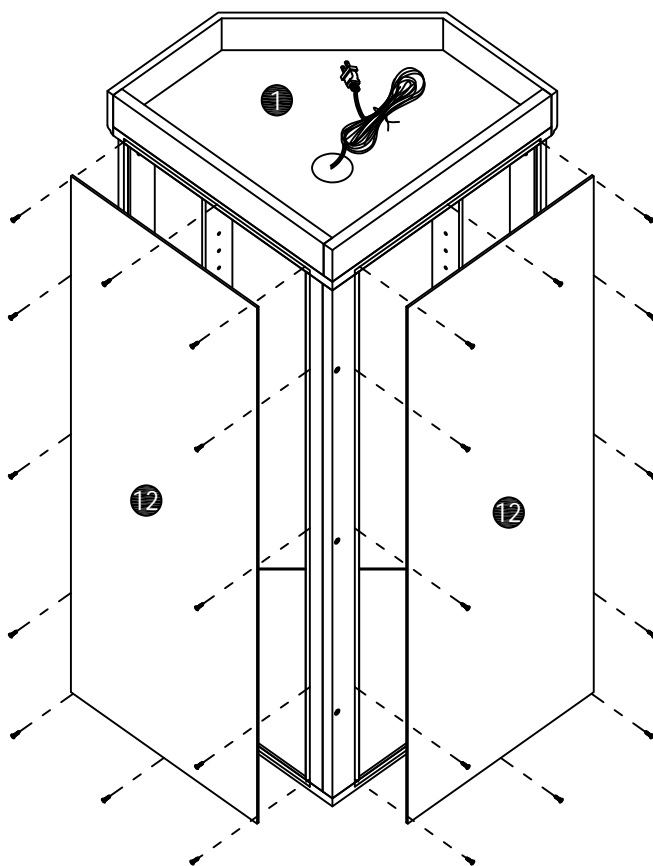
D x 24



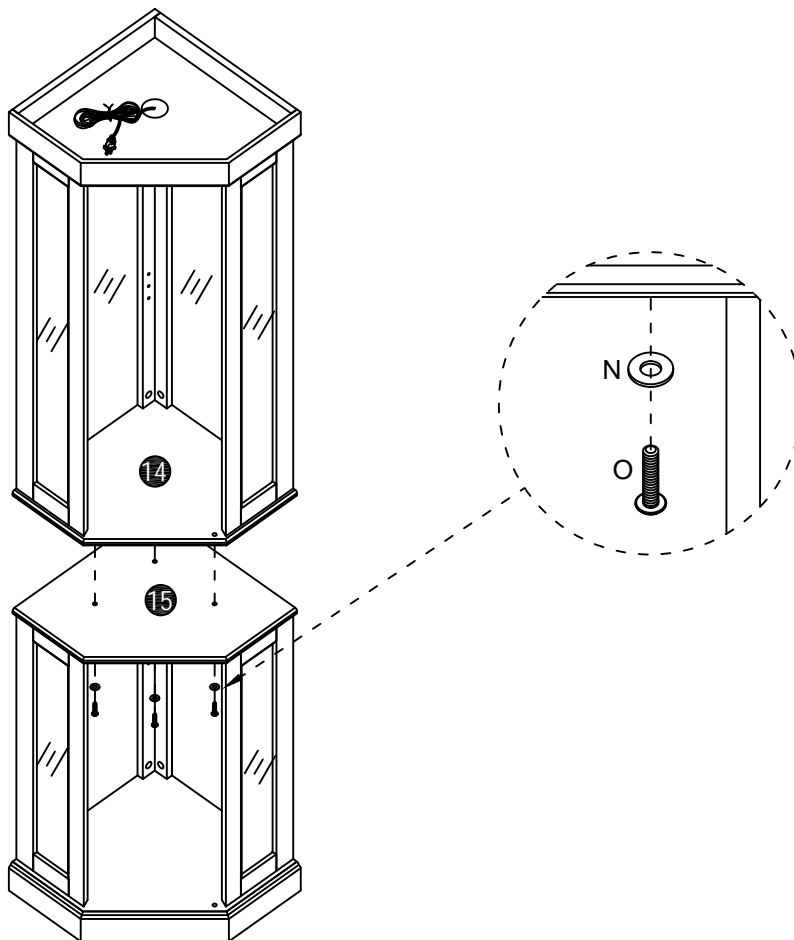
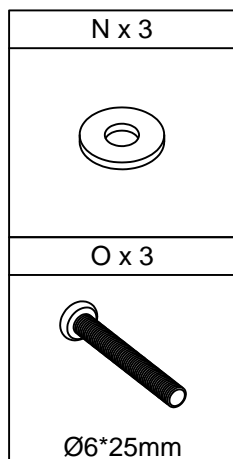
Ø3.5\*12mm



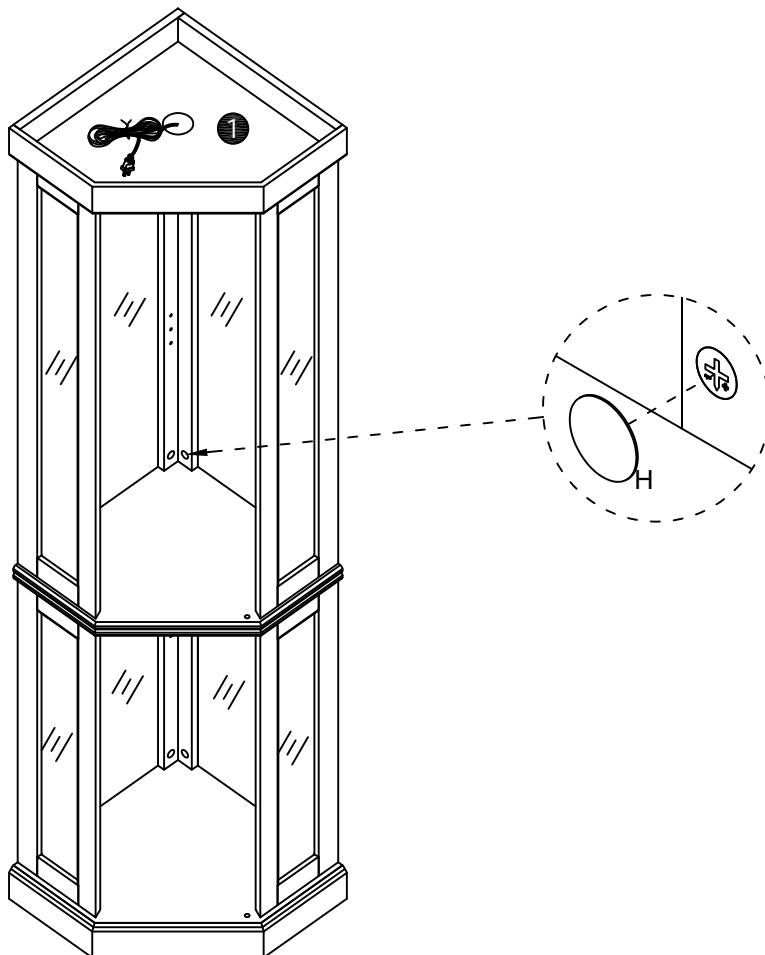
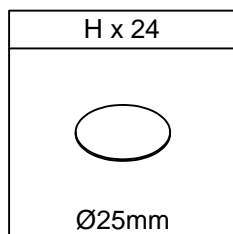
Remove protective film  
on the mirror panel.



## STEP9

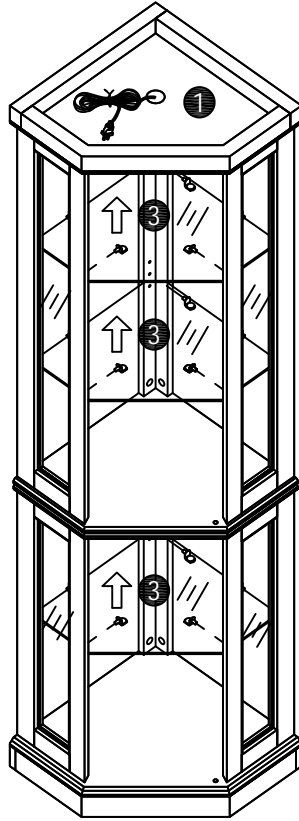


## STEP10



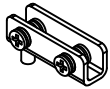
# STEP11

K x 15

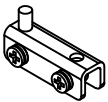


# STEP12

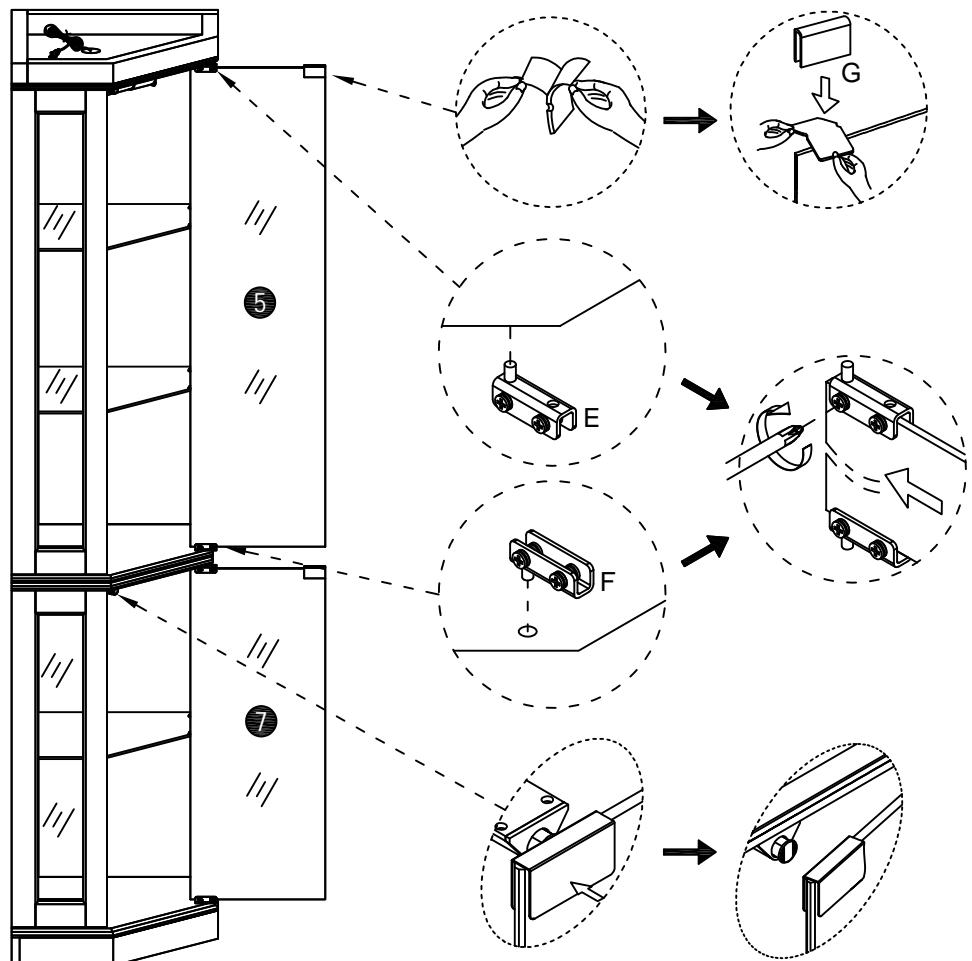
F x 2



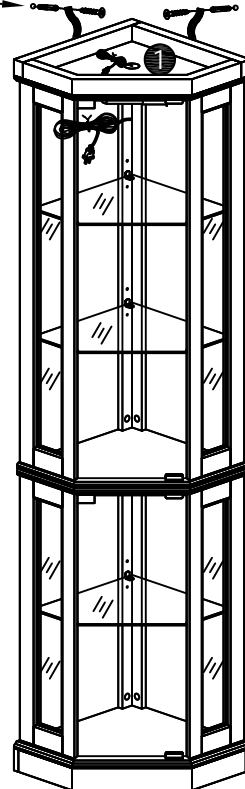
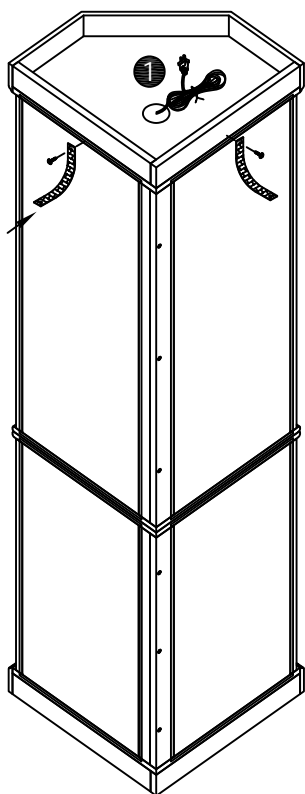
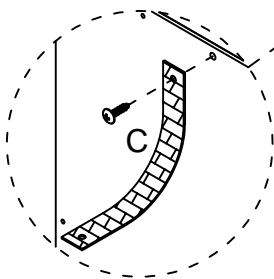
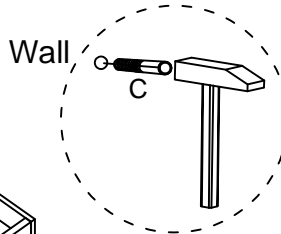
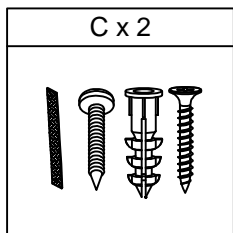
E x 2



G x 2



# STEP13



# STEP14

