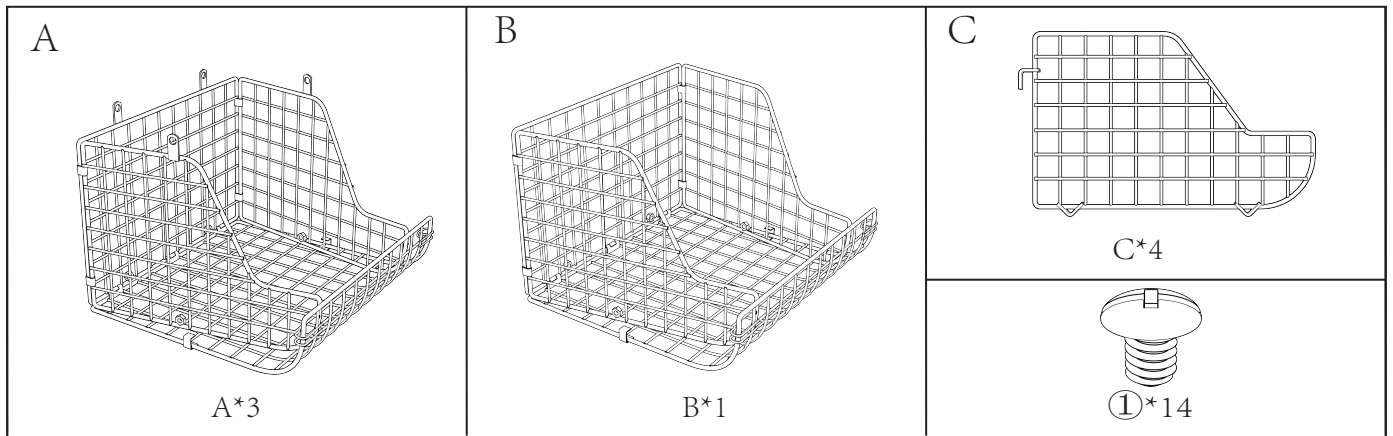


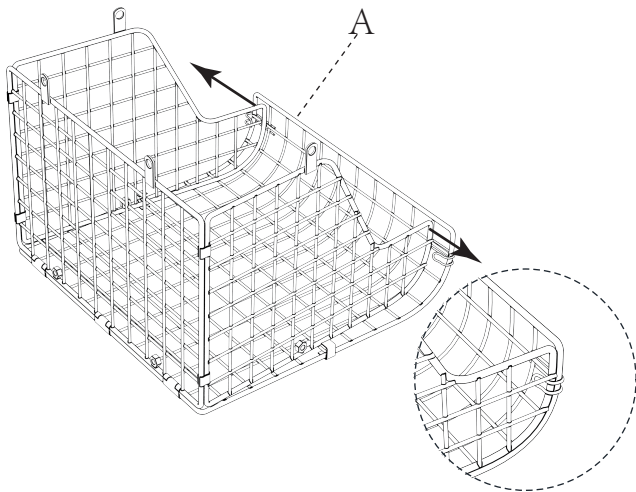
Can Storage Organizer Installation Instructions

Accessories include

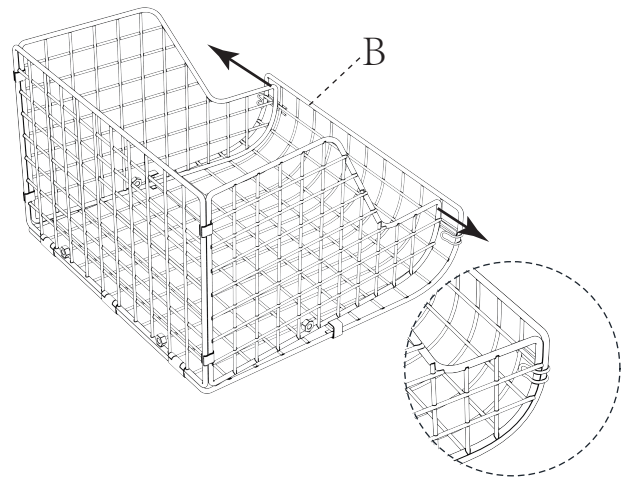


Installation Steps

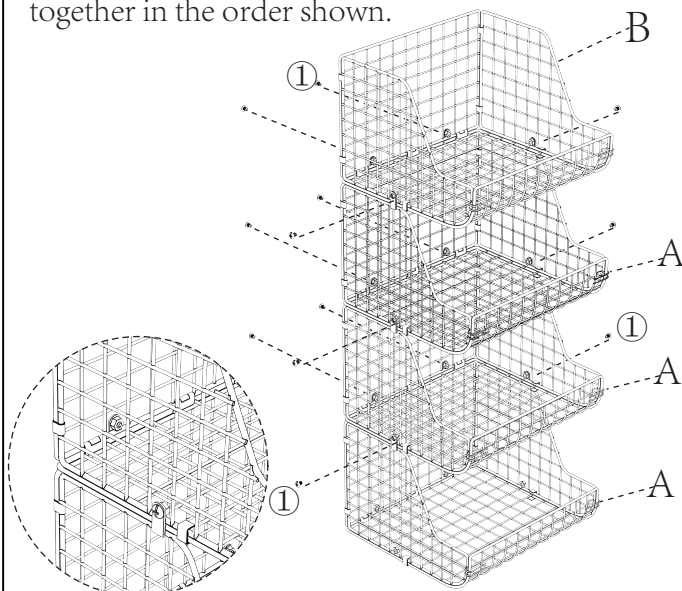
1: Attach Part A as shown in the diagram.
Once you hear a "click," it's securely in place.



2: Attach Part B as shown in the diagram.
Listen for the "click" to confirm it's locked in.



3: Using screw ① fasten Part A and Part B together in the order shown.



4: Attach Part C as illustrated in the diagram.

