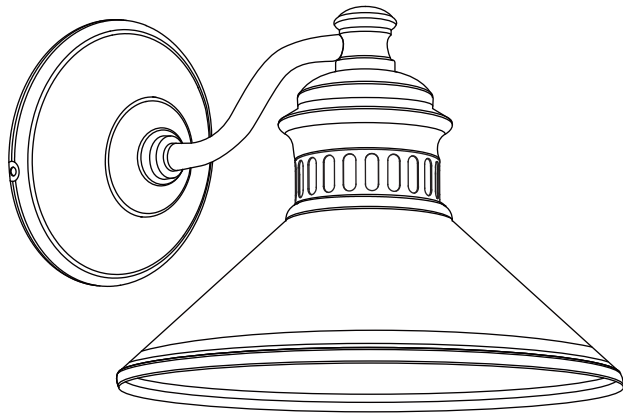
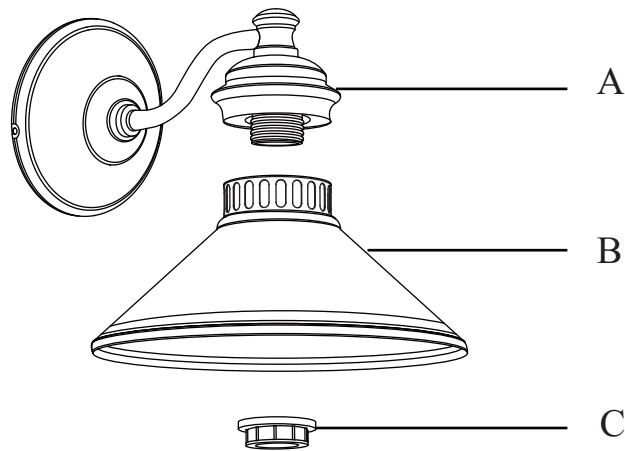


# Instruction Manual

## Outdoor Wall Sconce



### PACKAGE CONTENTS



PART	DESCRIPTION	QUANTITY
A	Fixture	1
B	Shade	1
C	Socket ring (preassembled to Fixture (A))	1

### HARDWARE CONTENTS(shown actual size)



Short  
mounting x 2  
screw



Wire nut x 3



Long  
mounting x 2  
screw



Crossbar  
(Not actual size) x 1

### ! SAFETY INFORMATION

Please read and understand this entire manual before attempting to assemble, operate or install the product.

### ! WARNING

- TURN OFF ELECTRICITY at main fuse box (or circuit breaker box) before beginning installation by removing fuse (or switching off circuit breaker).
- MINIMUM 90°C SUPPLY CONDUCTORS.

### PREPARATION

Before beginning assembly of product, make sure all parts are present. Compare parts with package contents list and hardware contents list. If any part is missing or damaged, do not attempt to assemble the product.

**Estimated Assembly Times: 25 minutes**

Tools Required for Assembly (not included): Flathead screwdriver , Phillips screwdriver, Pliers, Electrical tape, Wire cutters, Safety glasses.

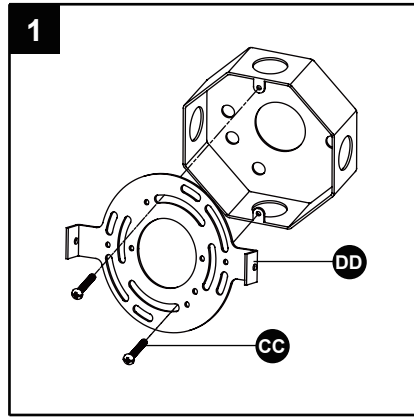
Helpful Tools (not included): Wire strippers, Step ladder.

## ASSEMBLY INSTRUCTIONS

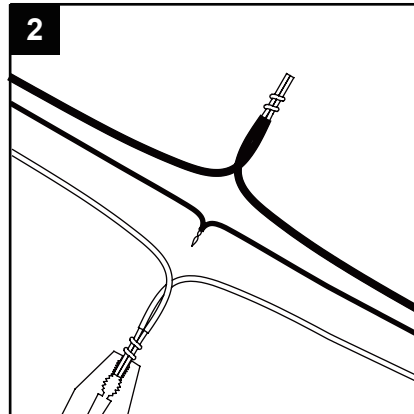
1. Attach the crossbar (DD) to the outlet box (not included) with the long mounting screws (CC).

### Hardware Used

- CC Long mounting screw x 2
- DD Crossbar x 1



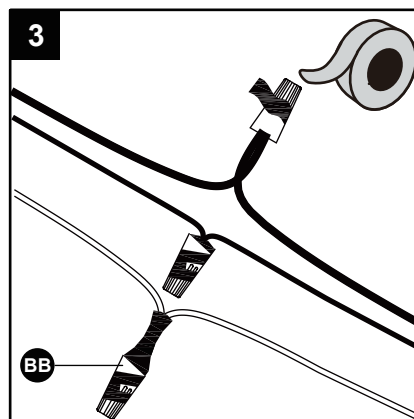
2. Strip 3/4 in. of insulation from wire ends. Twist stripped ends together with pliers (not included), black to black (power) and white to white (neutral). Attach copper wire to ground wire. Helpful hint: If necessary, attach copper ground wire to grounded outlet box.



3. Attach wire nuts (BB). Tape wire nuts (BB) and wires together.

### Hardware Used

- BB Wire nut x 3

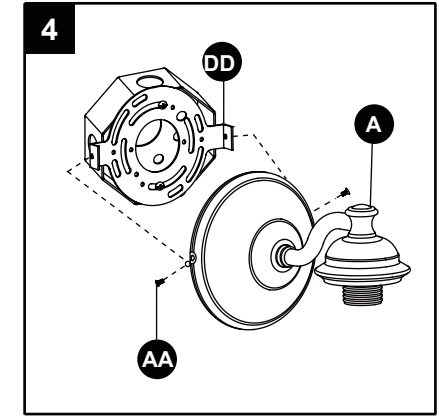


## ASSEMBLY INSTRUCTIONS

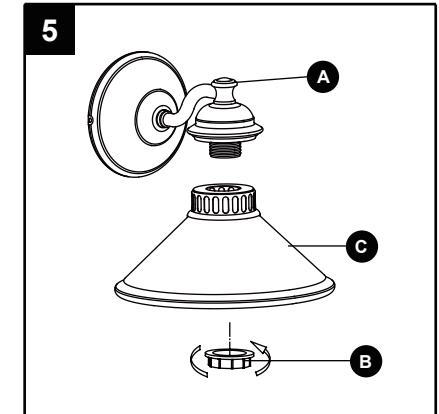
4. Place fixture (A) onto the crossbar (DD). Secure with short mounting screws (AA).

### Hardware Used

- AA Short mounting screw x 2
- DD Crossbar x 1



5. Remove socket ring (B). Install shade (C) over socket of fixture (A), then secure with socket ring (B).



6. Install light bulb (not included). Use one standard-base bulb or one standard-base CFL bulb.

