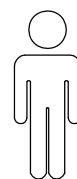
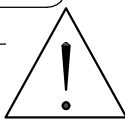
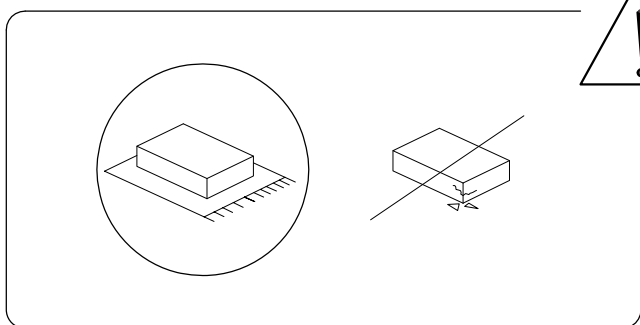
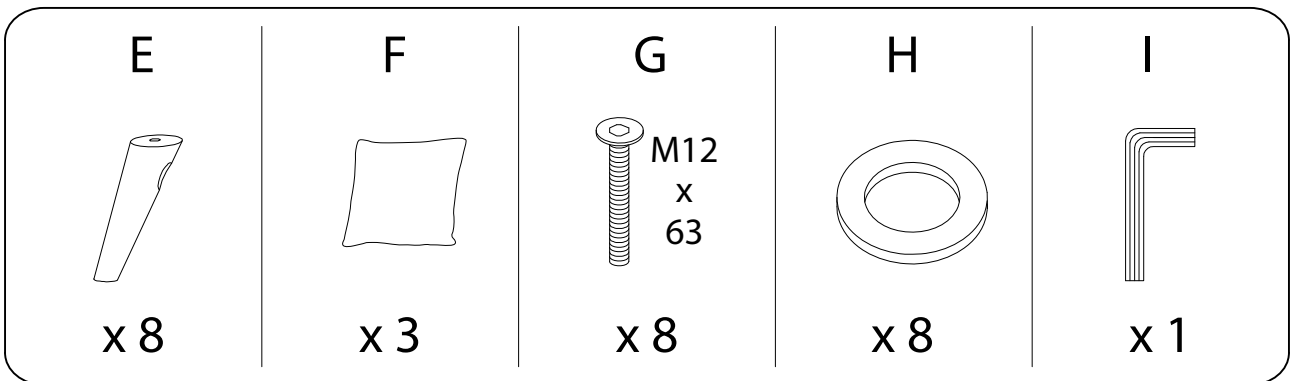
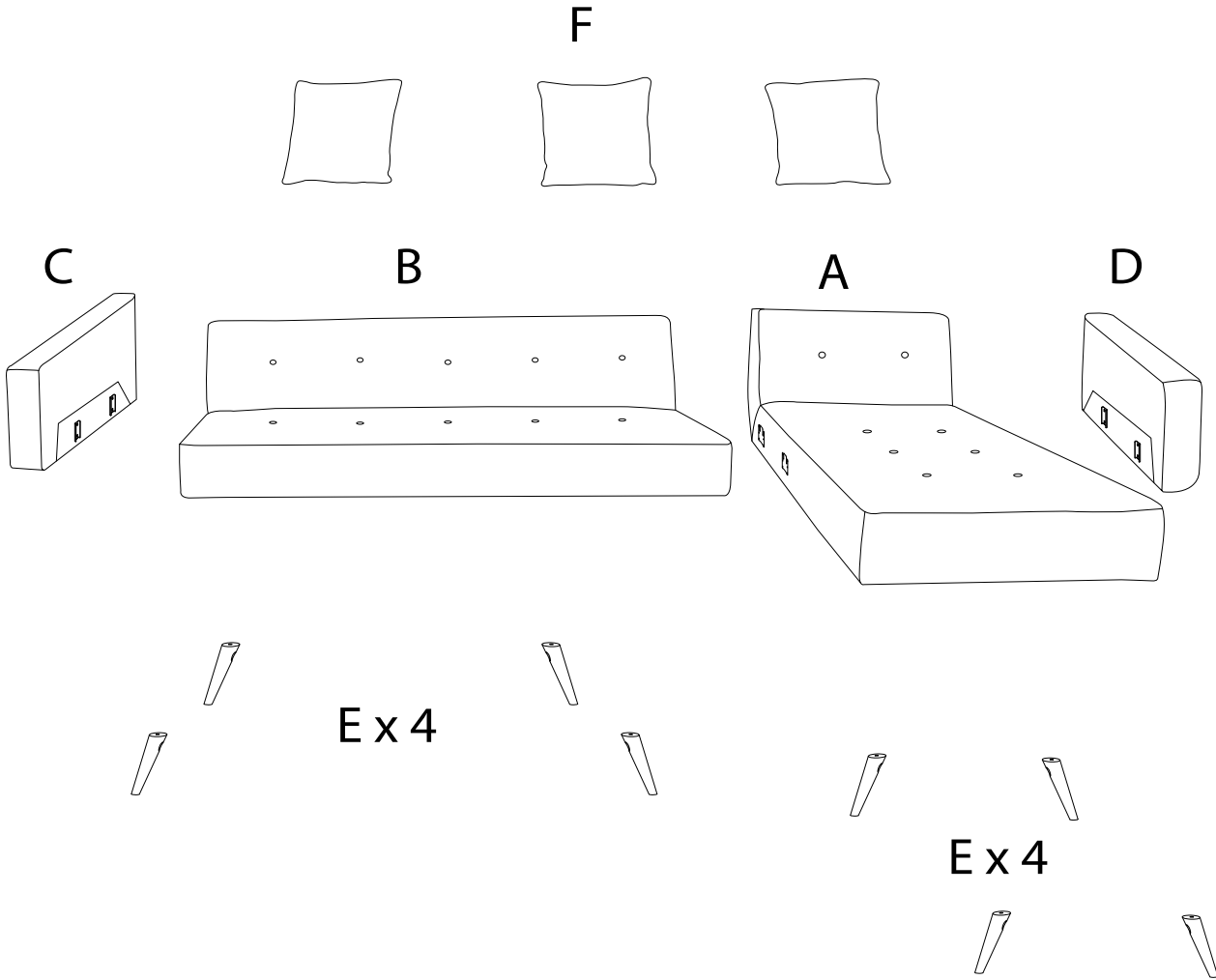
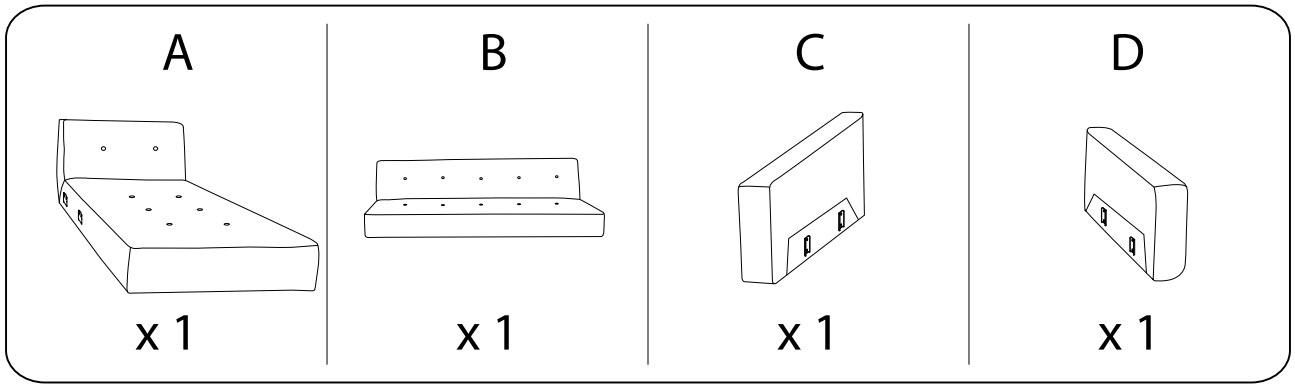


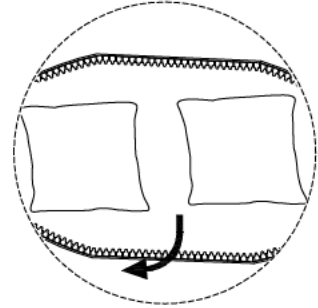
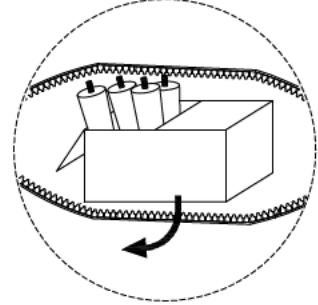
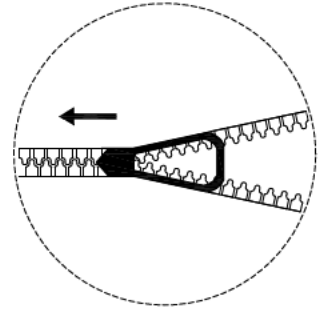
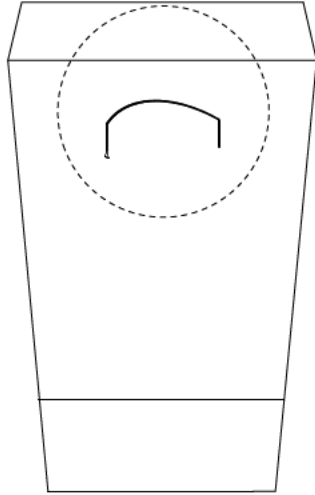
20'



1

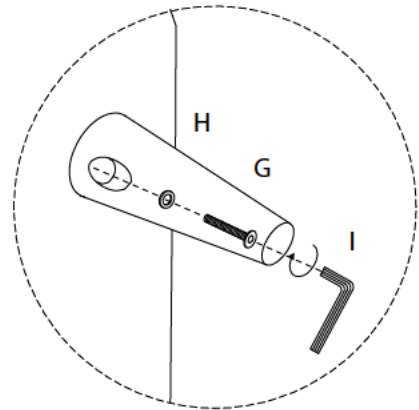
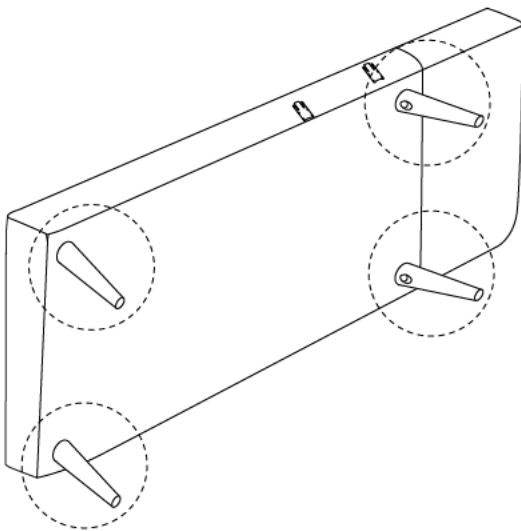


!

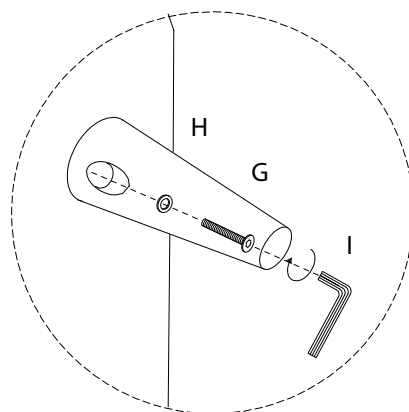
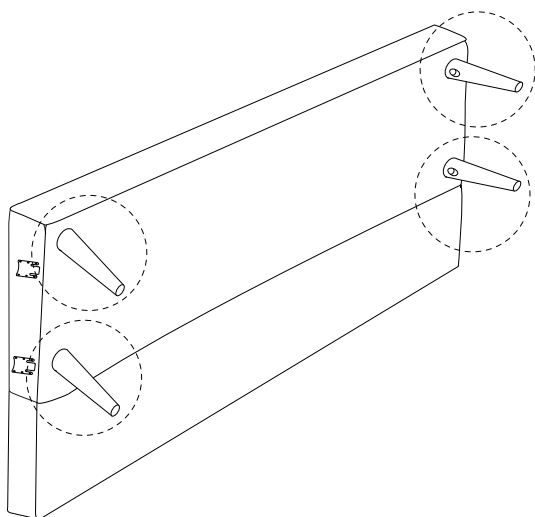
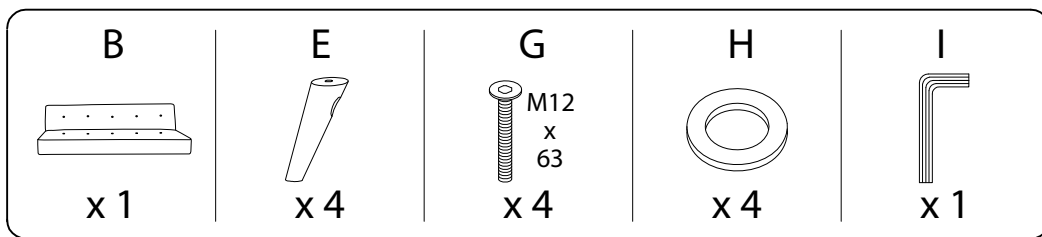


1

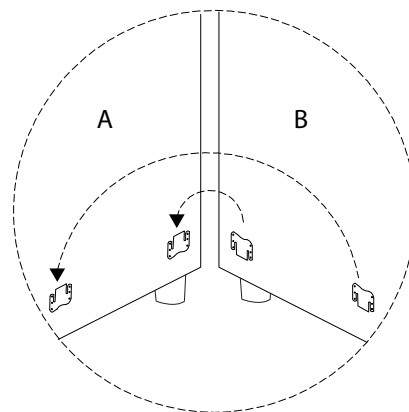
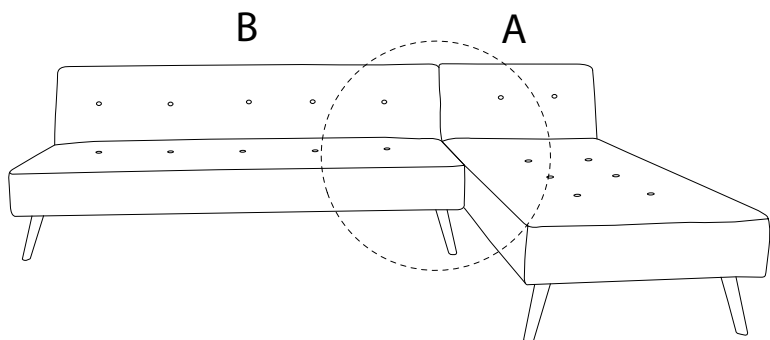
<b>A</b>  x 1	<b>E</b>  x 4	<b>G</b>  M12 x 63 x 4	<b>H</b>  x 4	<b>I</b>  x 1
---------------------	---------------------	---------------------------------------	---------------------	---------------------



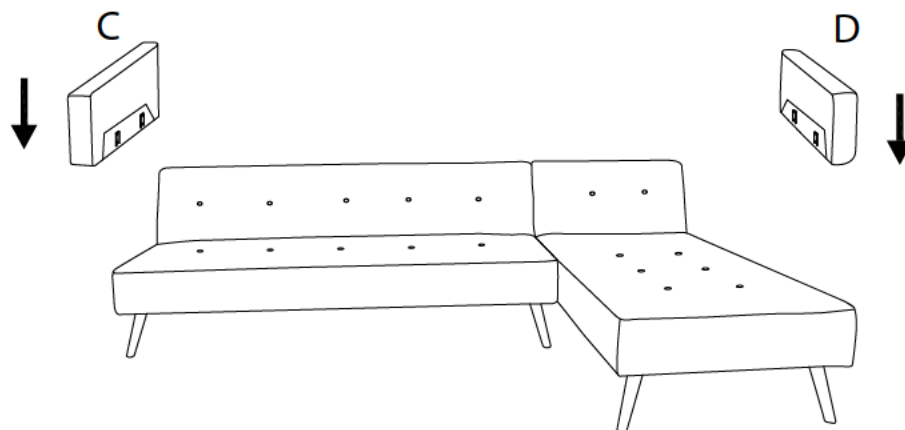
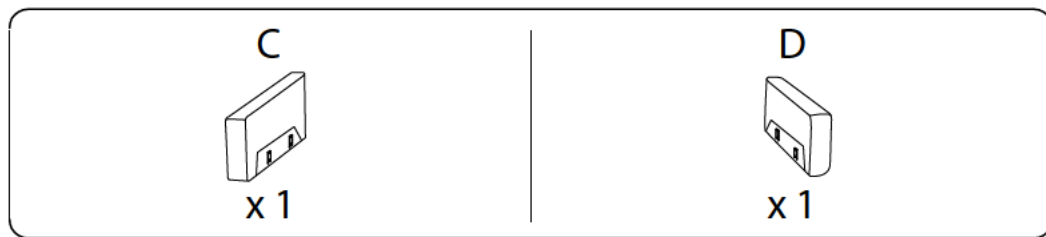
2



3



4



5

