

Stool

Assembly Instructions
Instrucciones De Asamblea
Instructions d'Assemblée

PARTS



A



x4

B



C



D



E



M6*22MM
4PCS+1EXT

F



M6*20MM
10PCS+1EXT

G



M6*16MM
2PCS+1EXT

H



x2

I



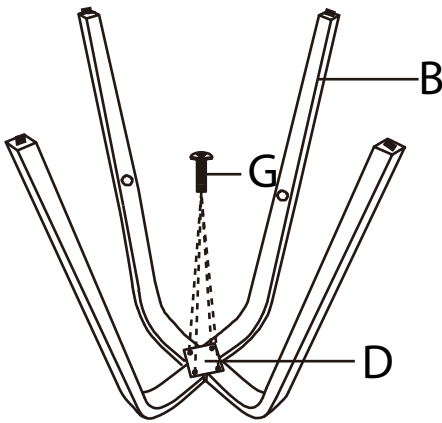
x4

J

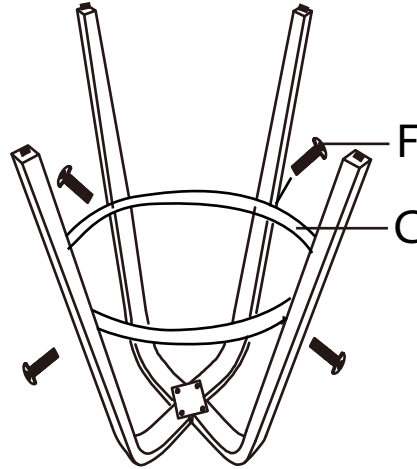


K

1

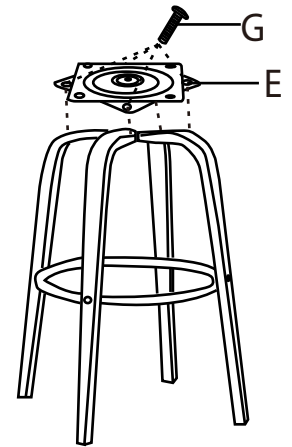


2



3

a)

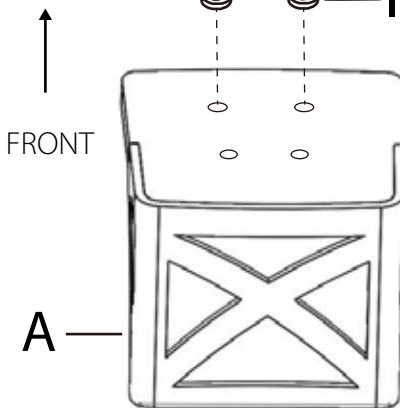


b)

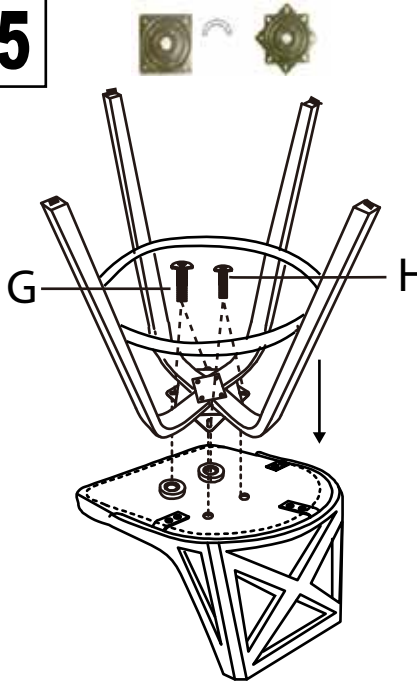


Step 1 & 2

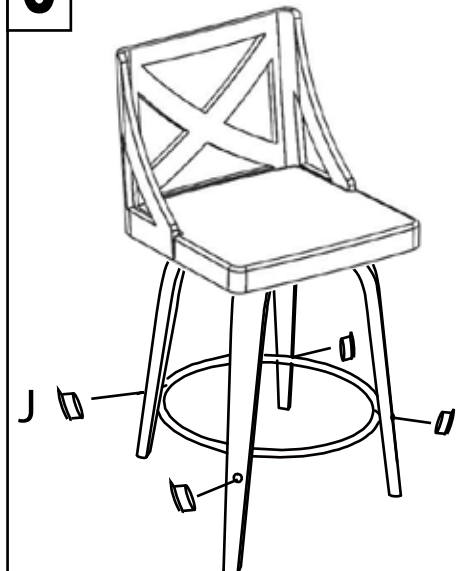
4



5



6



Do not over tighten.
Do not use power tools to assemble.