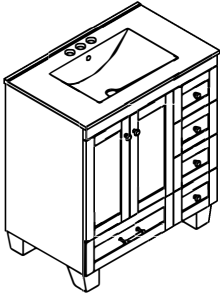


ASSEMBLY INSTRUCTIONS

Thank you for purchasing this quality Product. Be sure to check all packing material carefully for small parts, which may have come loose inside carton during shipment. Identify and count all parts and compare with the parts list below.



ASSEMBLY INSTRUCTION:

1. Remove hardware from box and sort by size.
2. Please check to see that all hardware and parts are present prior start of assembly.
3. Please follow attached instruction in the same sequence as numbered above for fast and easy assembly.

WARNING!

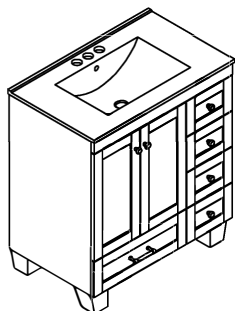
1. Do not attempt to repair or modify parts that are broken or defective. Please contact the store immediately.
2. This product is for home use only and not intended for commercial establishments.
3. Two persons are required for assembly.
4. Approximate assembly time 1/2 hours.
5. Component parts and fittings contained in the box. Please sort out all parts before you begin to assemble the item. This is to make sure you always use the correct part.
6. It is **STRONGLY RECOMMENDED** that you **ANCHOR** this product. Tying furniture can cause serious injuries and death. To prevent your furniture from tipping forward it is strongly recommended that you securely attach this product to a wall or other solid surface, using the anchor straps provided appropriate fixings.

No.	Component	Q'ty
1	Side Panel-Left	1
2	Side Panel-Right	1
3	Middle Panel #1	1
4	Front Rail - Above	1
5	Back Panel - Up	1
6	Back Panel - Low	1
7	Front Rail - Middle	3
8	Bottom Panel	1
9	Middle Panel #2	1
10	Leg-Left	2
11	Leg-Right	2
12	Shelf	1

No.	Component	Q'ty
13	Door - Left	1
14	Door - Right	1
15	Front Drawer Panel (L)	1
16	Back Drawer Panel (L)	1
17	Bottom Drawer Panel (L)	1
18	Sides Drawer Panel(L)	5
19	Sides Drawer Pane(R)	5
20	Front Drawer Panel (R)	4
21	Back Drawer Panel (R)	4
22	Bottom Drawer Panel (R)	4
23	Sink	1

ASSEMBLY INSTRUCTIONS

Thank you for purchasing this quality Product. Be sure to check all packing material carefully for small parts, which may have come loose inside carton during shipment. Identify and count all parts and compare with the parts list below.

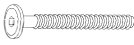

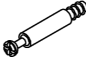















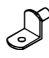


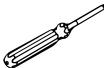
ASSEMBLY INSTRUCTION:

1. Remove hardware from box and sort by size.
2. Please check to see that all hardware and parts are present prior start of assembly.
3. Please follow attached instruction in the same sequence as numbered above for fast and easy assembly.

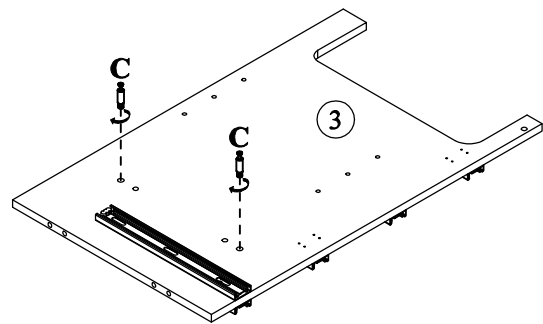
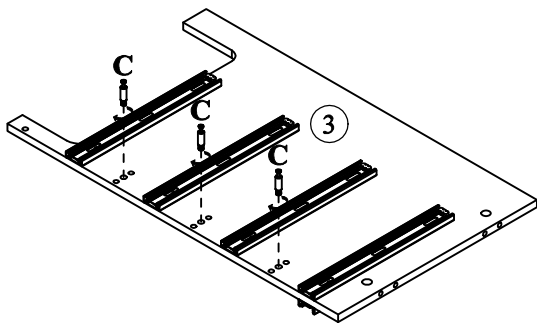
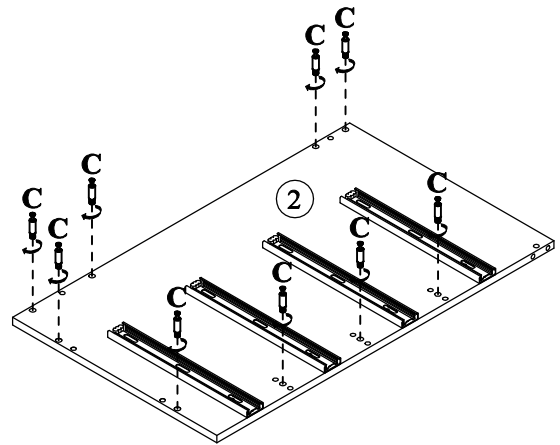
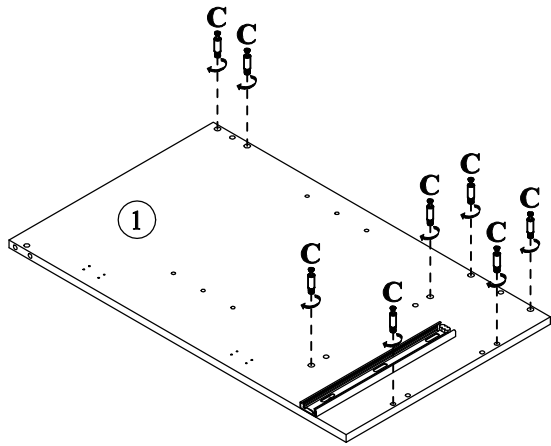
WARNING!

1. Do not attempt to repair or modify parts that are broken or defective. Please contact the store immediately.
2. This product is for home use only and not intended for commercial establishments.
3. Two persons are required for assembly.
4. Approximate assembly time 1/2 hours.
5. Component parts and fittings contained in the box. Please sort out all parts before you begin to assemble the item. This is to make sure you always use the correct part.
6. It is **STRONGLY RECOMMENDED** that you **ANCHOR** this product. Tipping furniture can cause serious injuries and death. To prevent your furniture from tipping forward it is strongly recommended that you securely attach this product to a wall or other solid surface, using the anchor straps provided appropriate fixings.

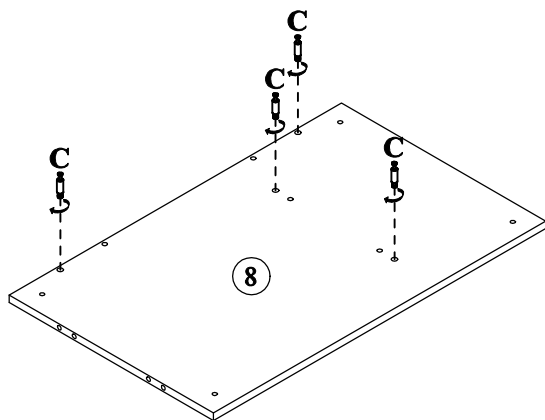
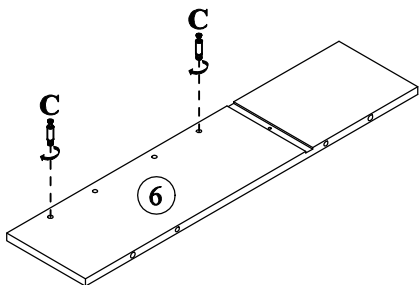
No.	Hardware	Q'ty
A	 Allen Bolts 1/4" x 28	11
B	 Flat Washers 1/4" x 16 x 1	11
C	 Cam Lock Screws	28
D	 Cam Lock	28
E	 Screws $\varnothing 8 \times 4 \times 25 \text{mm}$	2
F	 Screws $\varnothing 8 \times 4 \times 32 \text{mm}$	40
G	 Handle	6
H	 Handle	1
I	 Screws $\varnothing 5/32" \times 25 \text{mm}$	2
J	 Screws $\varnothing 5/32" \times 30 \text{mm}$	6

No.	Hardware	Q'ty
K	 Hinges	2
L	 Hinges	2
M	 Screws $\varnothing 7 \times \varnothing 3.5 \times 15 \text{mm}$	24
N	 Wooden $\varnothing 8 \times 30 \text{mm}$	34
O	 Allen key	1
P	 Wooden $\varnothing 6 \times 30 \text{mm}$	20
Q	 Shelf Support	4
R	 Screws $\varnothing 7 \times \varnothing 3.5 \times 12 \text{mm}$	4
S	 Anti fall hardware (sets)	1
	 Not Included	

Step 1

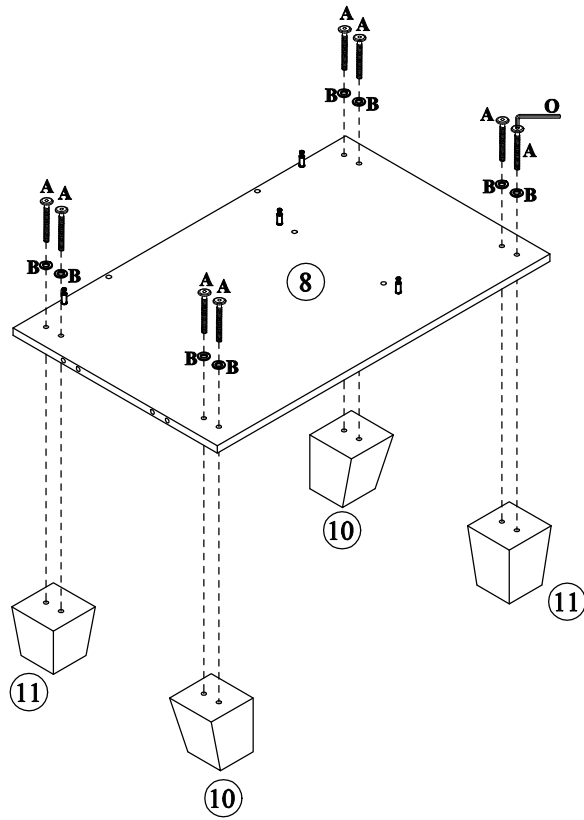


Turn over Panel No.3 and install screw (C)



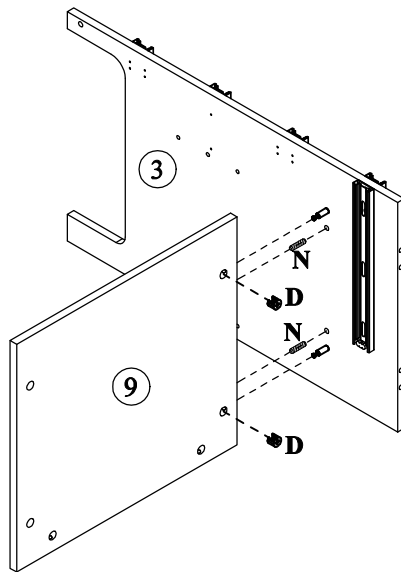
No	Hardware	Q'ty
C	Cam Lock Screws	28

Step 2



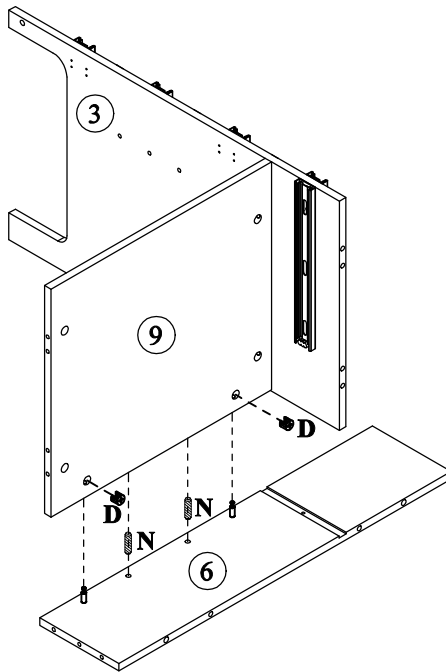
No	Hardware	Q'ty
O	Allen key	1
A	Allen Bolts 1/4" x 28	8
B	Flat Washers 1/4"x16x1	8

Step 3



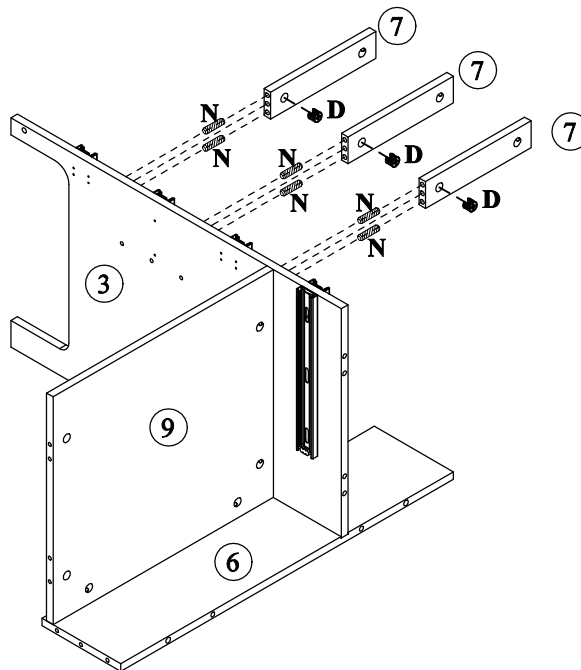
No	Hardware	Q'ty
D	Cam Lock	2
N	Wooden ø8x30mm	2

Step 4



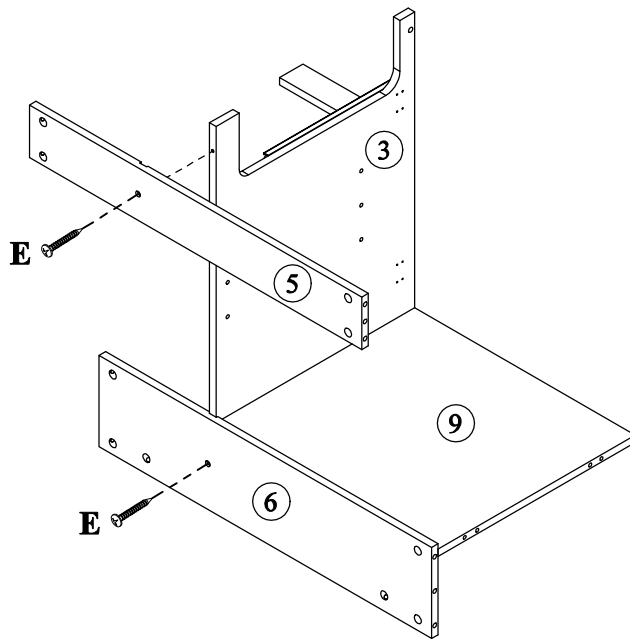
No	Hardware	Q'ty
D	Cam Lock	2
N	Wooden ø8x30mm	2

Step 5



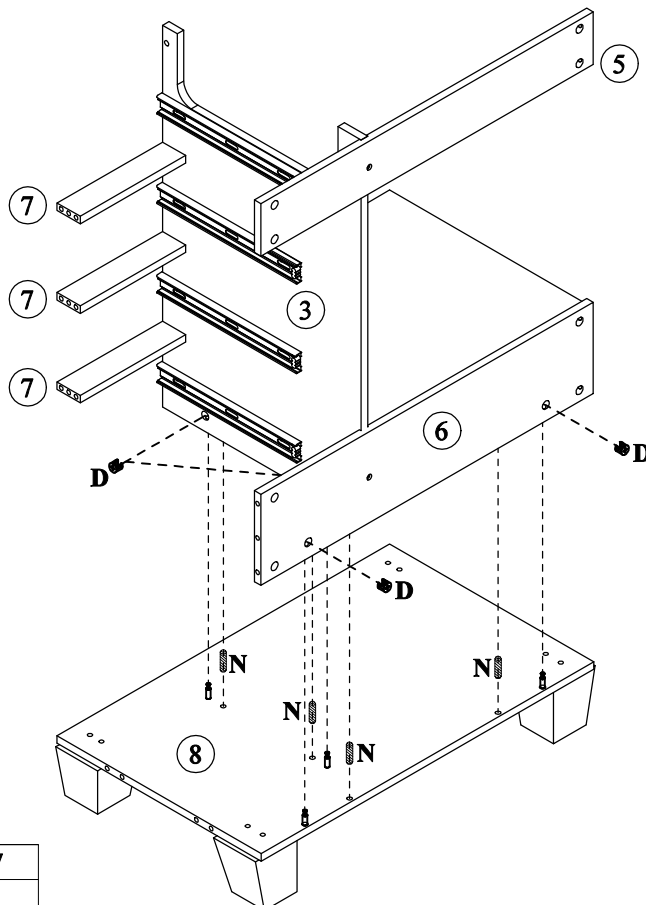
No	Hardware	Q'ty
D	Cam Lock	3
N	Wooden ø8x30mm	6

Step 6



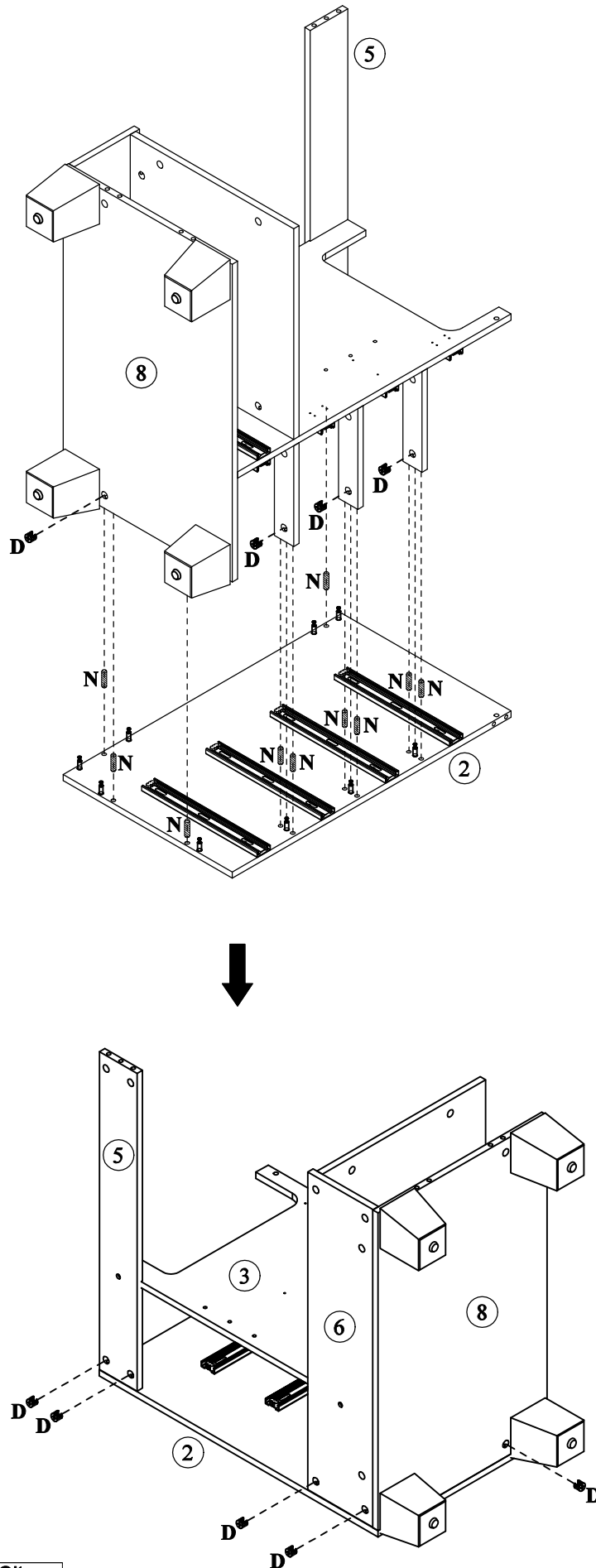
No	Hardware	Q'ty
E	Screws $\varnothing 8 \times \varnothing 4 \times 25 \text{mm}$	2

Step 7



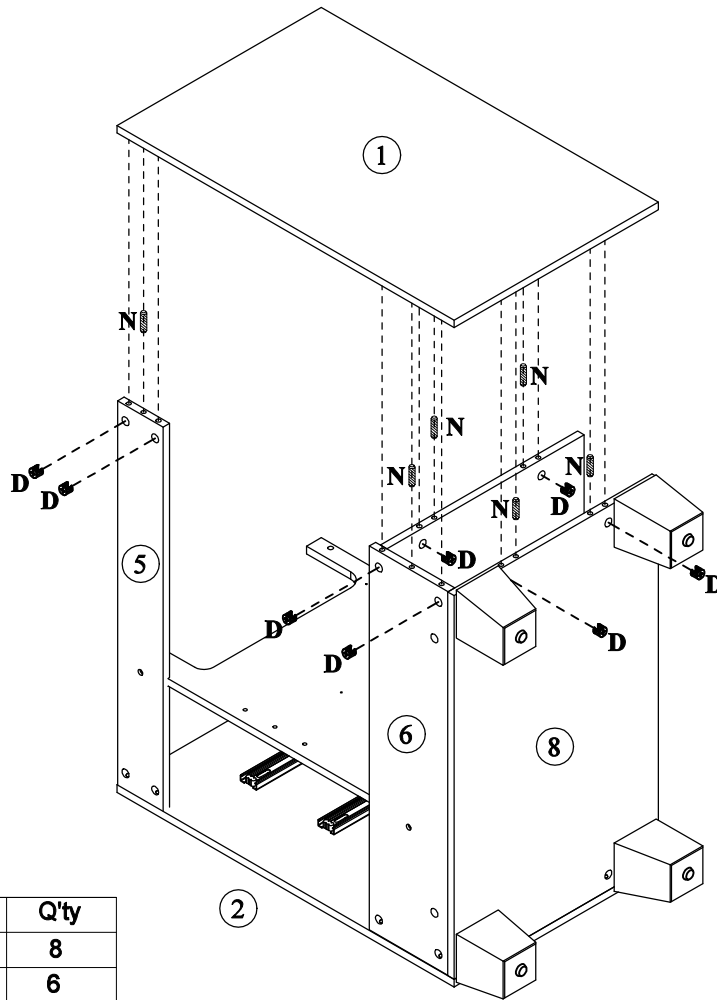
No	Hardware	Q'ty
D	Cam Lock	4
N	Wooden $\varnothing 8 \times 30 \text{mm}$	4

Step 8



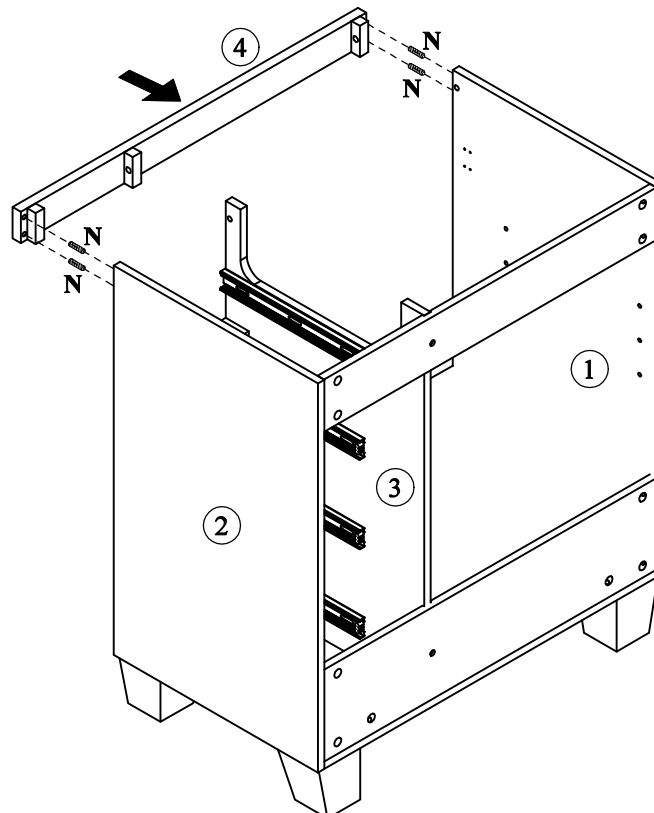
No	Hardware	Q'ty
D	Cam Lock	9
N	Wooden ø8x30mm	10

Step 9



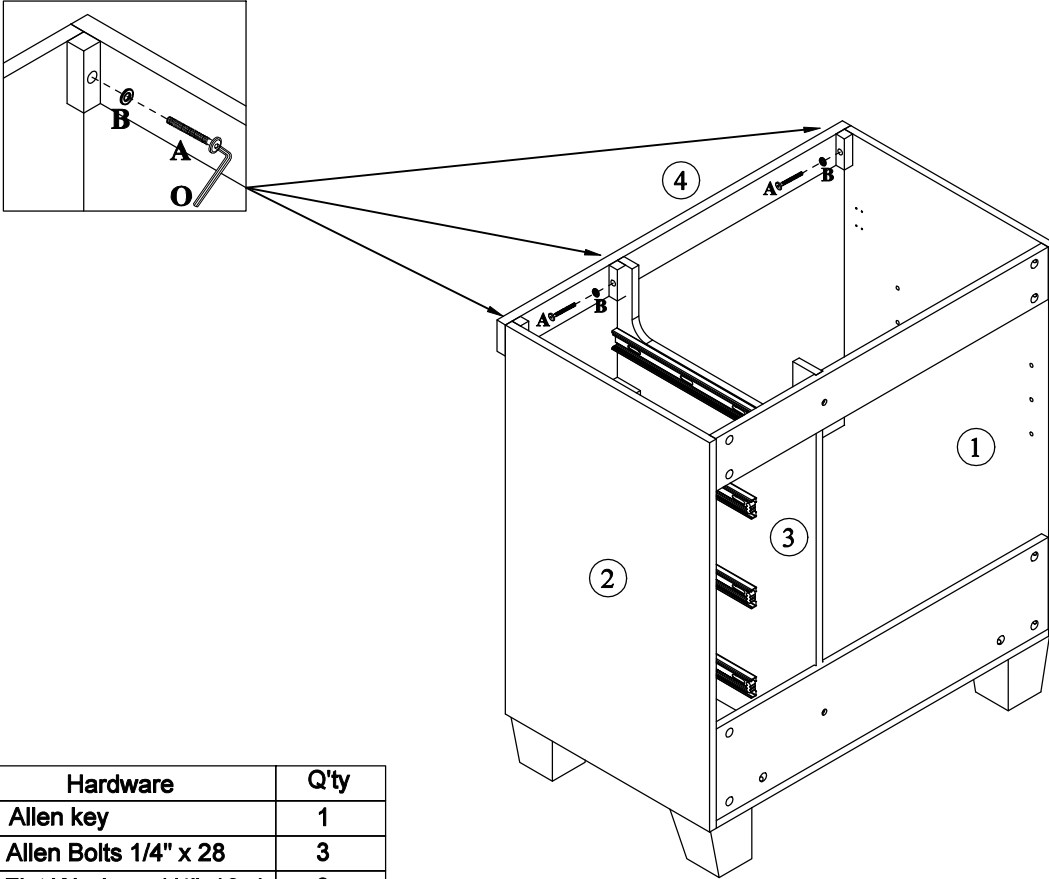
No	Hardware	Q'ty
D	Cam Lock	8
N	Wooden ø8x30mm	6

Step 10



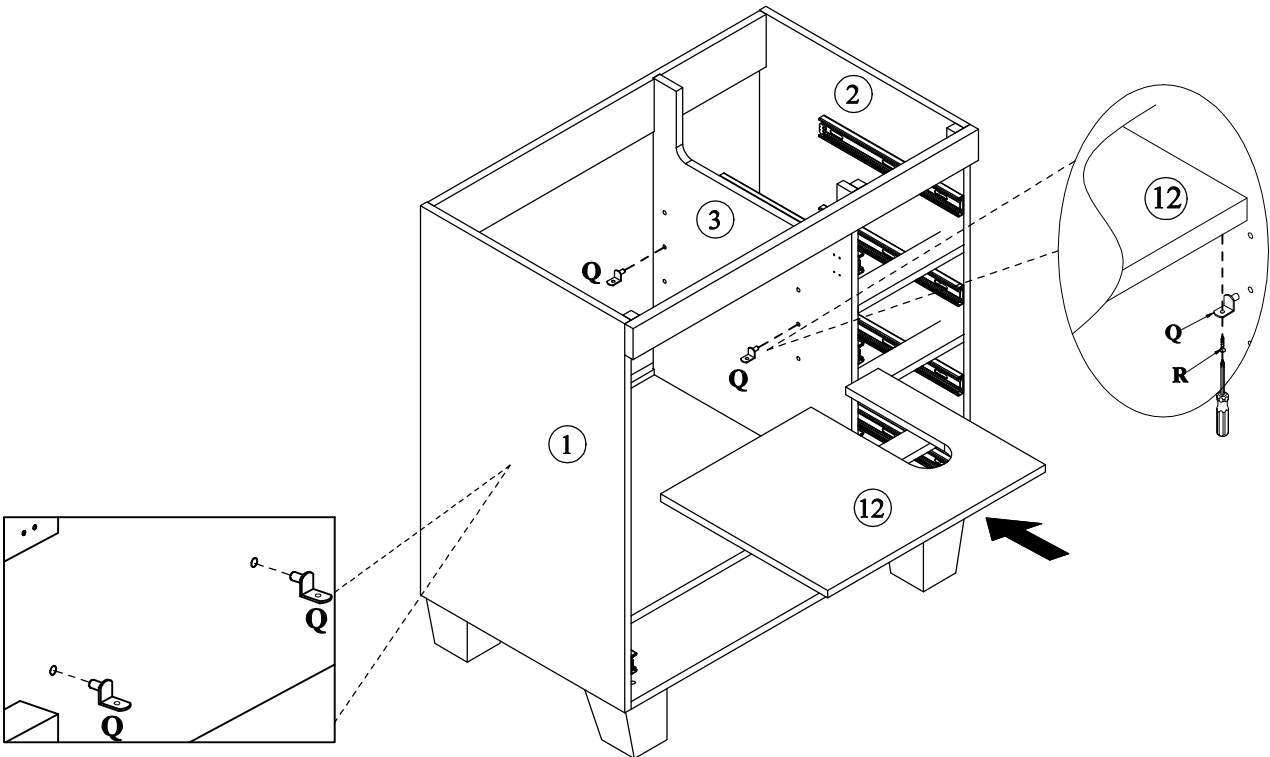
No	Hardware	Q'ty
N	Wooden ø8x30mm	4

Step 11



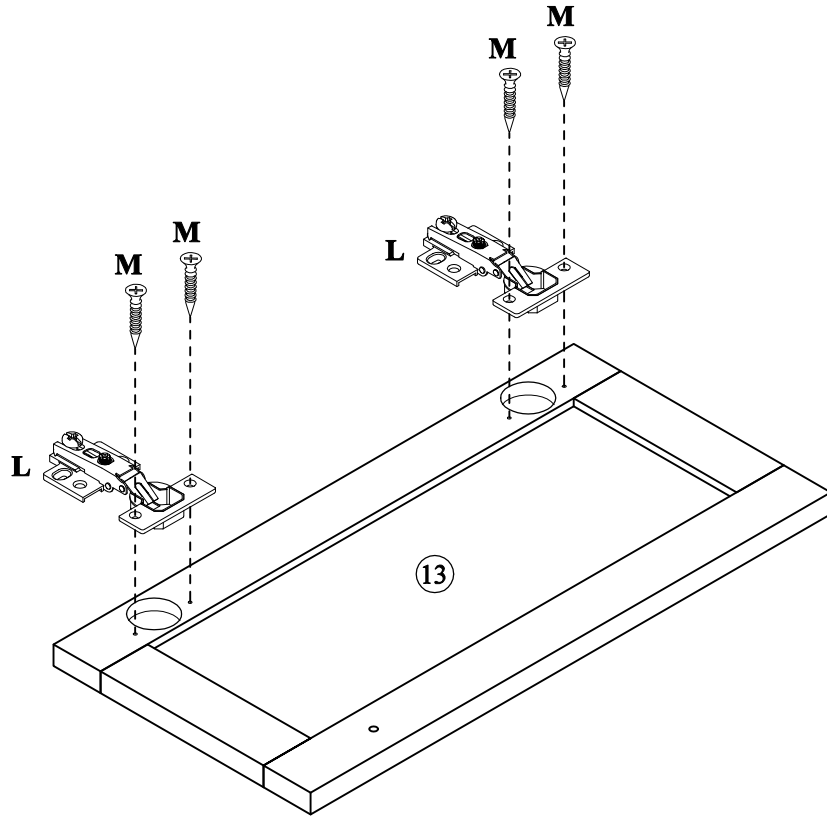
No	Hardware	Q'ty
O	Allen key	1
A	Allen Bolts 1/4" x 28	3
B	Flat Washers 1/4"x16x1	3

Step 12



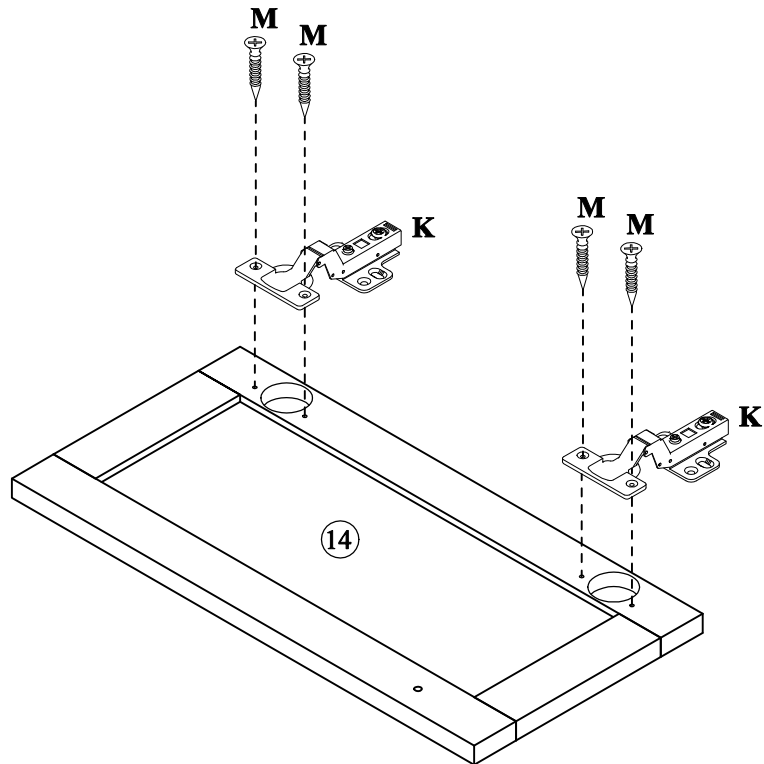
No	Hardware	Q'ty
Q	Shelf Support	4
R	Screws $\varnothing 7 \times \varnothing 3.5 \times 12 \text{mm}$	4

Step 13



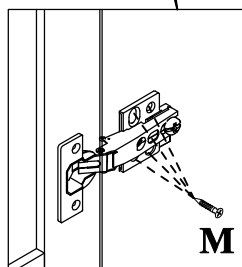
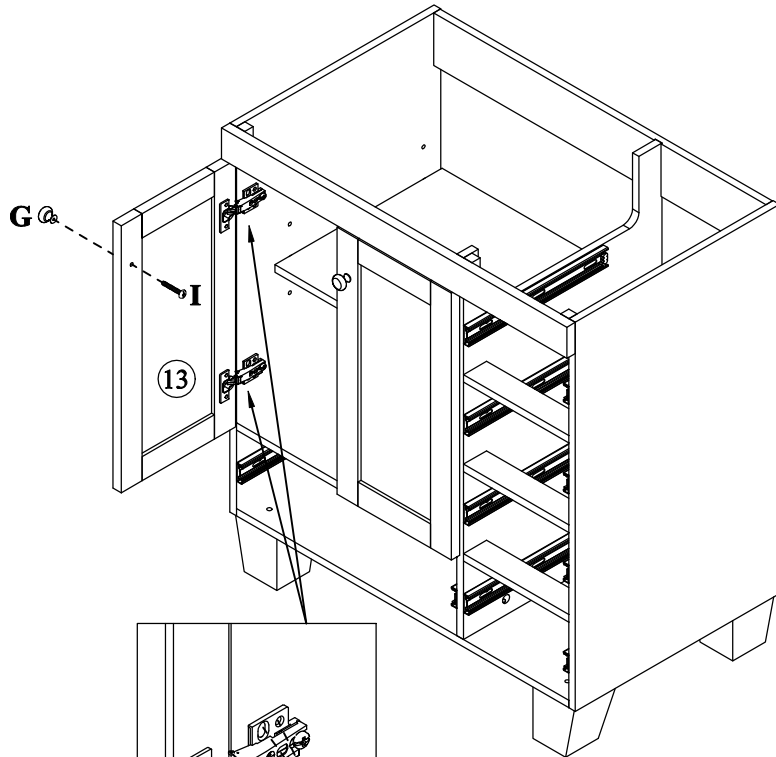
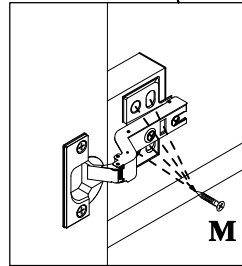
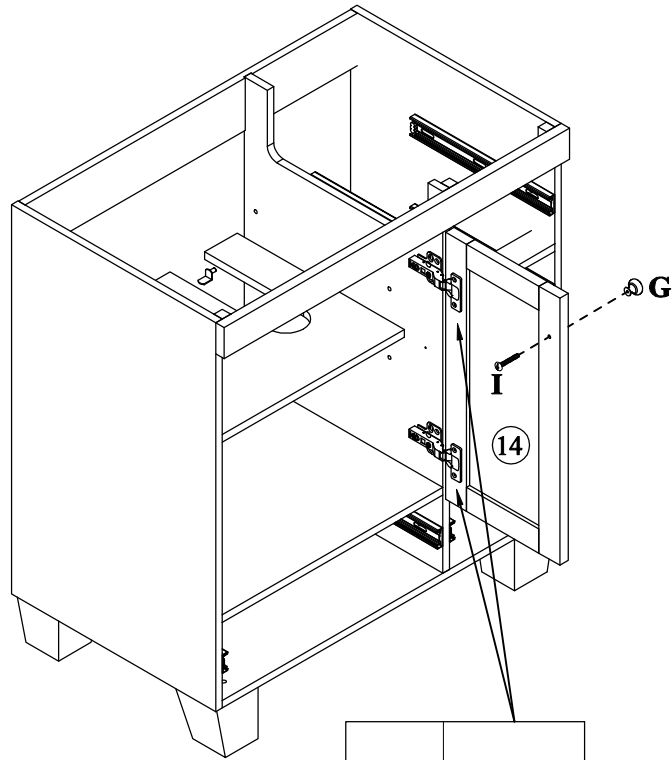
No	Hardware	Q'ty
L	Hinges	2
M	Screws $\phi 7 \times \phi 3.5 \times 15 \text{mm}$	4

Step 14



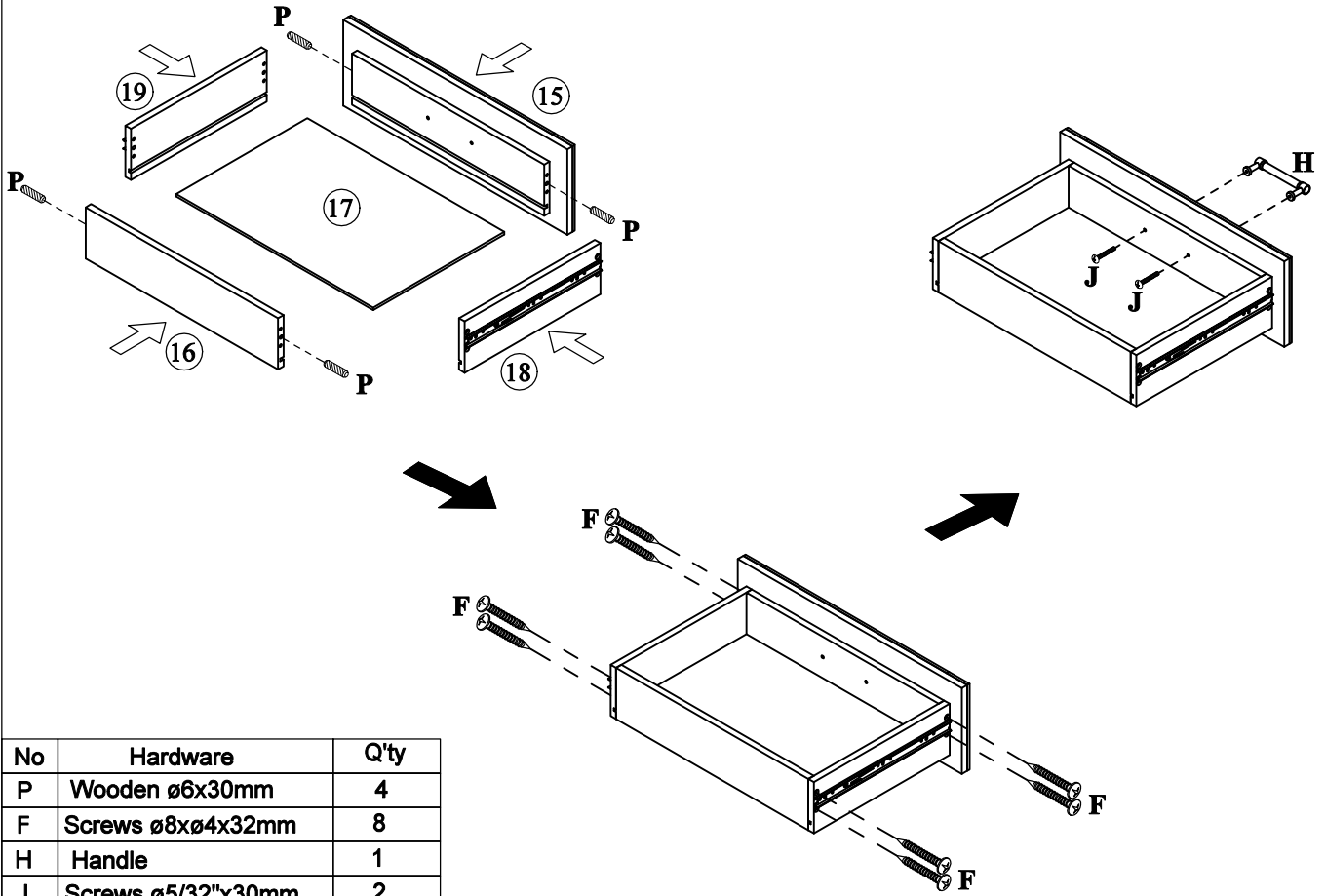
No	Hardware	Q'ty
K	Hinges	2
M	Screws $\phi 7 \times \phi 3.5 \times 15 \text{mm}$	4

Step 15



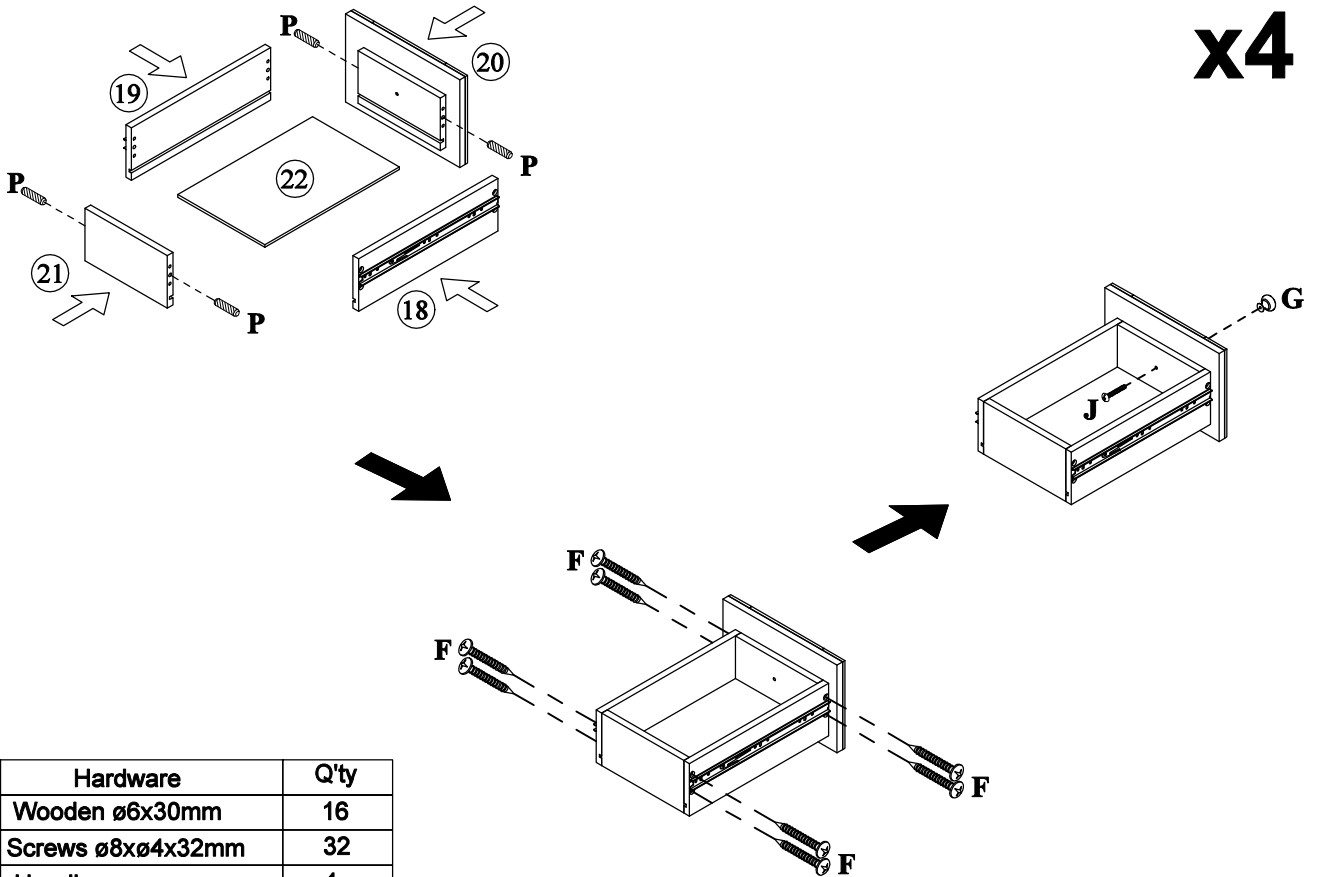
No	Hardware	Q'ty
M	Screws $\varnothing 7 \times \varnothing 3.5 \times 15 \text{mm}$	16
G	Handle	2
I	Screws $\varnothing 5/32" \times 25 \text{mm}$	2

Step 16



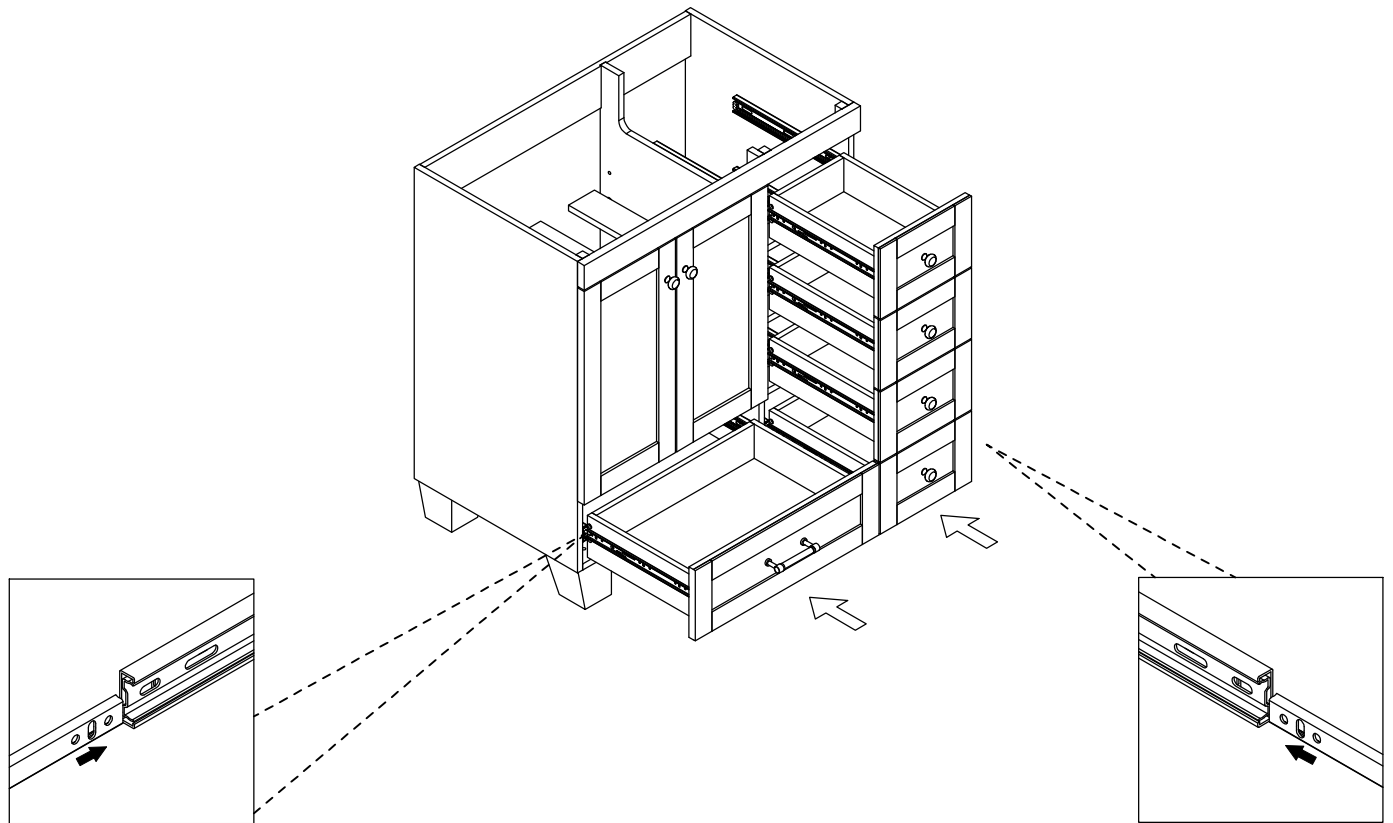
No	Hardware	Q'ty
P	Wooden $\phi 6 \times 30 \text{mm}$	4
F	Screws $\phi 8 \times \phi 4 \times 32 \text{mm}$	8
H	Handle	1
J	Screws $\phi 5/32" \times 30 \text{mm}$	2

Step 17

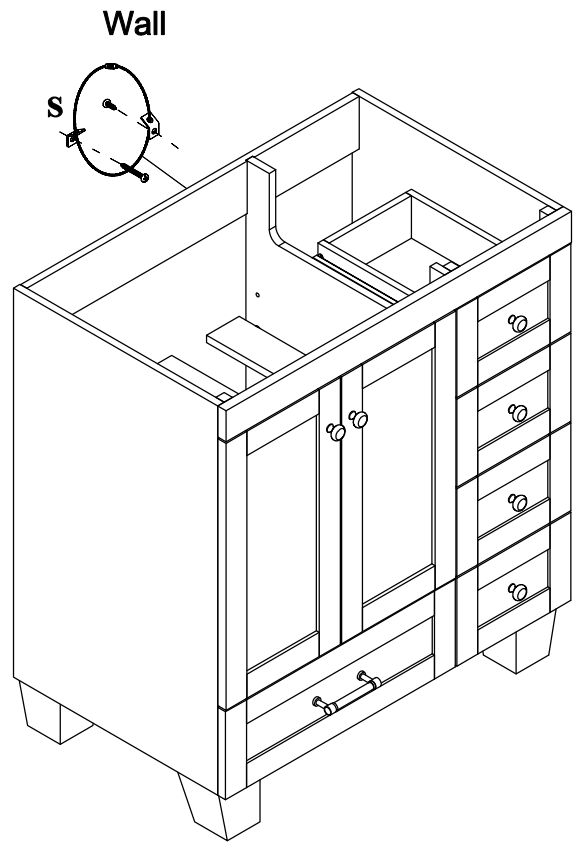


No	Hardware	Q'ty
P	Wooden $\phi 6 \times 30 \text{mm}$	16
F	Screws $\phi 8 \times \phi 4 \times 32 \text{mm}$	32
G	Handle	4
J	Screws $\phi 5/32" \times 30 \text{mm}$	4

Step 18

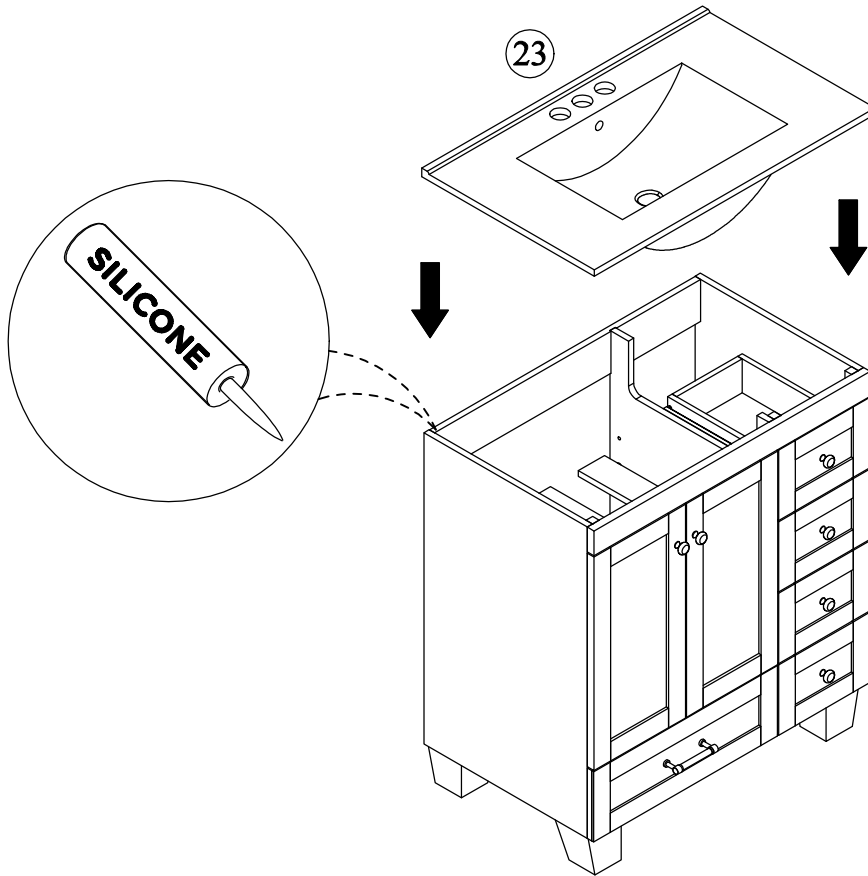


Step 19



No	Hardware	Q'ty
s	Anti fall hardware	1

Step 20



Step 21

