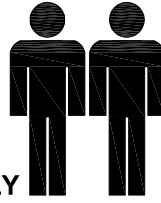


**MODEL NAME: NFN062WH /  
NFN062BK**

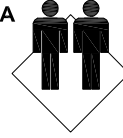
**1.5hr**

**APPROXIMATE ASSEMBLY TIME**

**2 PERSONS OF ASSEMBLY**

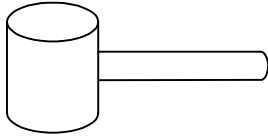


**FLOOR AREA  
1.5M X 1.5M**

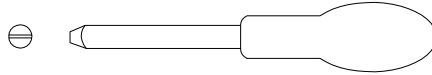


**REQUIRED ASSEMBLY SPACE**

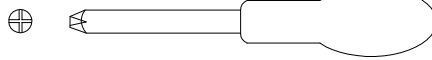
**REQUIRED ASSEMBLY TOOLS**



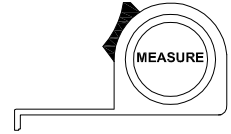
**SOFT RUBBER HAMMER**



**SLOTTED SCREWDRIVER**

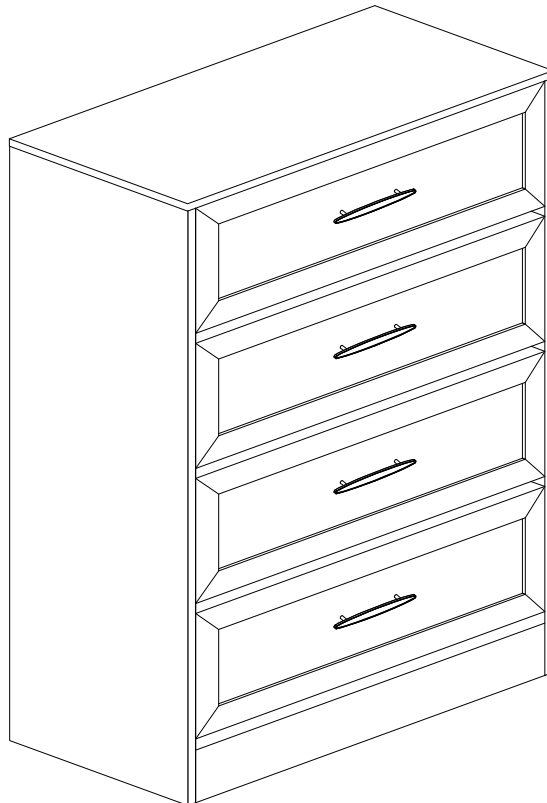


**POZI SCREWDRIVER**



**MEASURING TAPE**

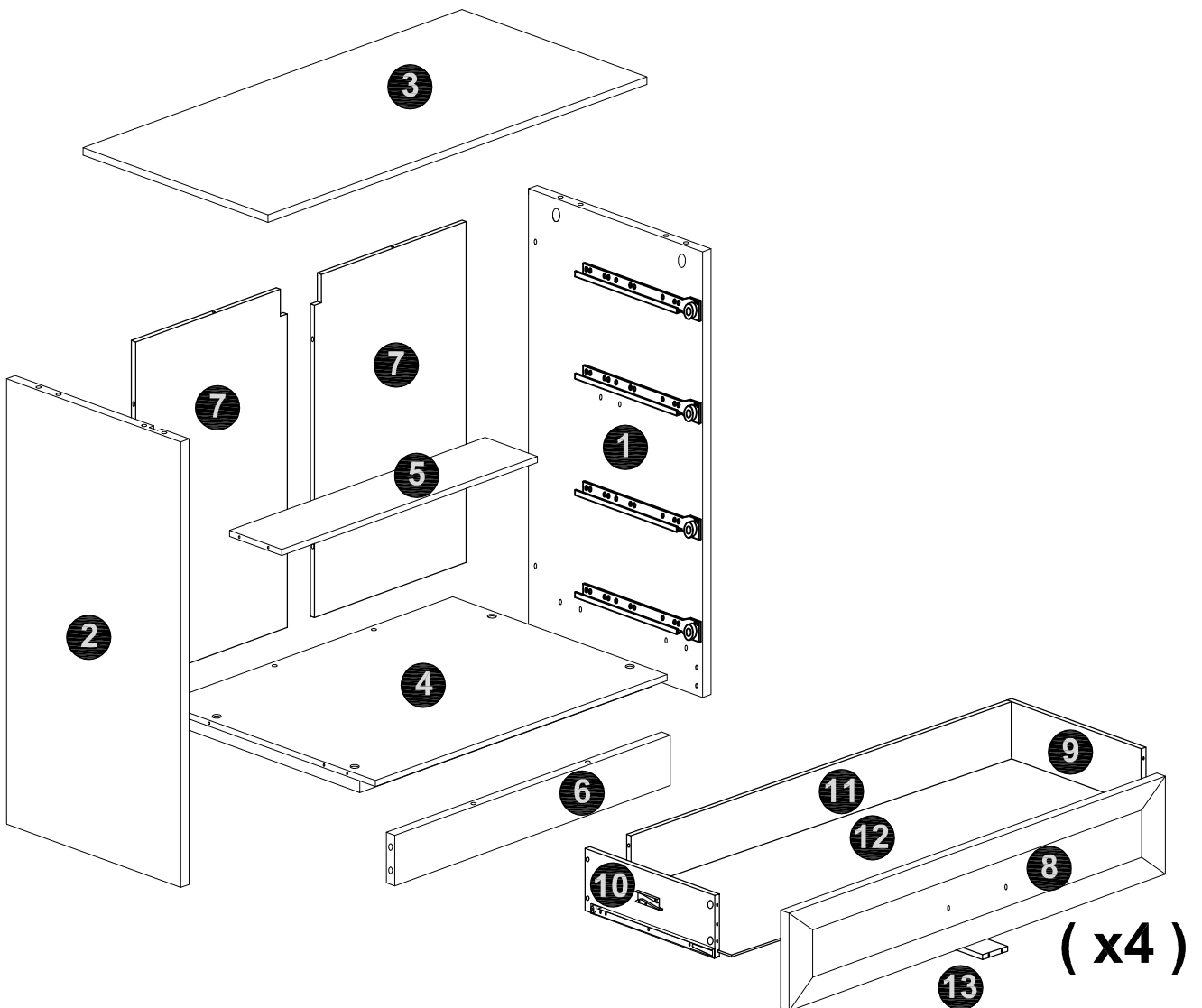
**ASSEMBLED DIMENSIONS**



**MODEL NAME: NFN062WH /  
NFN062BK**

NO.	PART LIST	QTY	NO.	PART LIST	QTY
(1)	RIGHT PANEL	1	(8)	DRAWER FRONT	4
(2)	LEFT PANEL	1	(9)	DRAWER SIDE PANEL RIGHT	4
(3)	TOP PANEL	1	(10)	DRAWER SIDE PANEL LEFT	4
(4)	BOTTOM PANEL	1	(11)	DRAWER BACK PANEL	4
(5)	CENTRE SUPPORT	1	(12)	DRAWER BOTTOM	4
(6)	CROSSBAR	1	(13)	DRAWER BOTTOM SUPPORT	4
(7)	BACK PANEL	2			

**PARTS LIST**



**MODEL NAME: NFN062WH /  
NFN062BK**

## HARDWARE LIST



**42X**

Dia.6 x 30mm

**A**

WOOD  
DOWEL

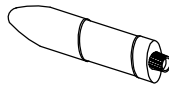


**18X**

M6.5 x 32mm

**B**

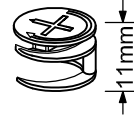
QUICKFIT



**2X**

**C**

GLUE



**10X**

Dia 15mm

**D**

LARGE  
CAMLOCK

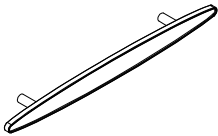


**8X**

Dia 15mm

**E**

SMALL  
CAMLOCK



**4X**

**F**

HANDLE



**8X**

M4 x 10mm

**G**

SCREW

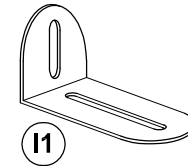


**24X**

M3.5 x 25mm

**H**

SCREW



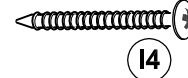
**11**



**12**



**13**



**14**

**1X**

**I**  
SAFETY  
BRACKET  
KIT

**MODEL NAME: NFN062WH /  
NFN062BK**

**Top Tips before you start!**

1. Please check that all parts are present before you start the assembly of your furniture.
2. For ease and speed of assembly, we recommend that before you commence each step of the assembly, that you identify all the parts required for that step.
3. For larger items, please ensure that you have sufficient space and people ( as indicated on page 1 ) to assemble your product safely
4. We recommend that, where possible, all items are assembled near to the area in which they will be placed in use, to avoid moving the product unnecessarily once assembled.
5. For the protection of your furniture, particularly items of high gloss finish, we recommend that the product is placed on a protected surface during assembly to prevent any damage.
6. Caution - Electric / Battery operated screw driver NOT RECOMMENDED.
7. During assembly please take care not to over-tighten any fittings, as this may damage the product.
8. Always place the product on a flat, steady and stable surface.
9. Do not sit or stand on the product.  
Do not use the product as a stepladder.
10. This product is intended for indoor, household use only as it is non industrial product.
11. This product is constructed from re-inforced hollow board. Excessive pressure cause irreparable damage. Please do not kneel on any part of this product during assembly.

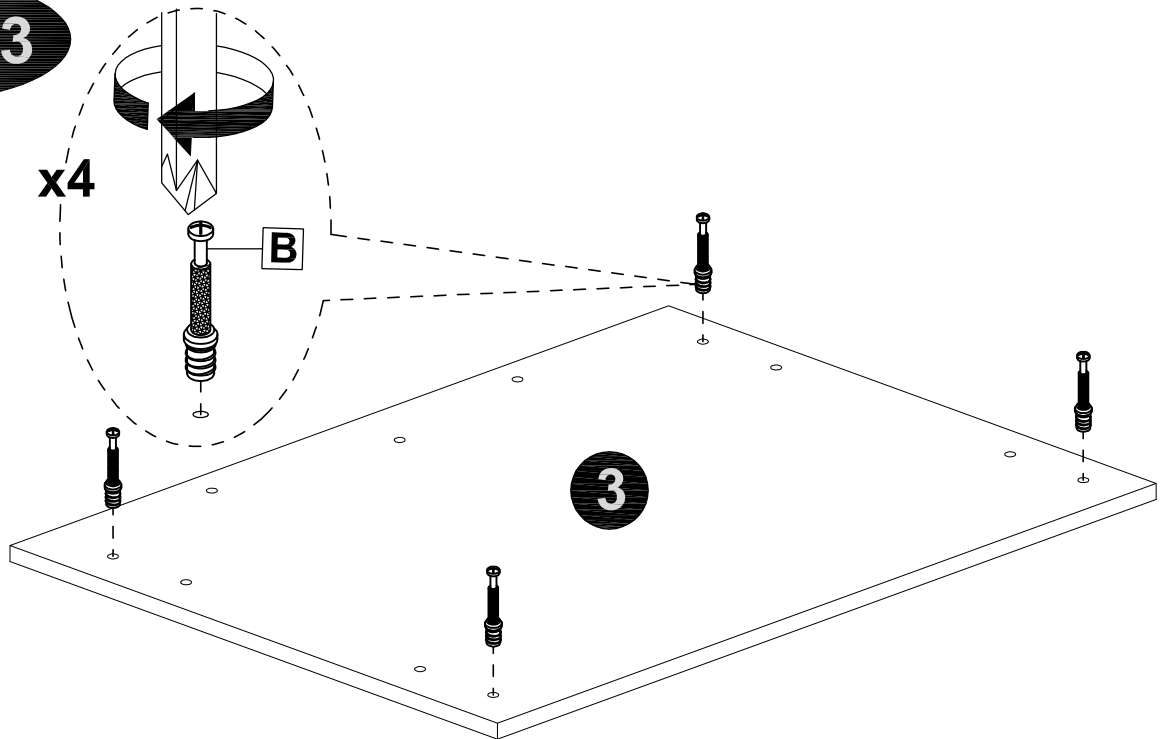
**Care and Maintenance of your Furniture**

- Please periodically check all fittings and re-tighten as necessary.
- To clean your item, please use a damp cloth and wipe clean.
- Never allow any kind of liquid to remain on your furniture.
- Please do not place hot items (e.g. hot drinks ) directly on to the wood surface.
- Please do not drag and pull your furniture.



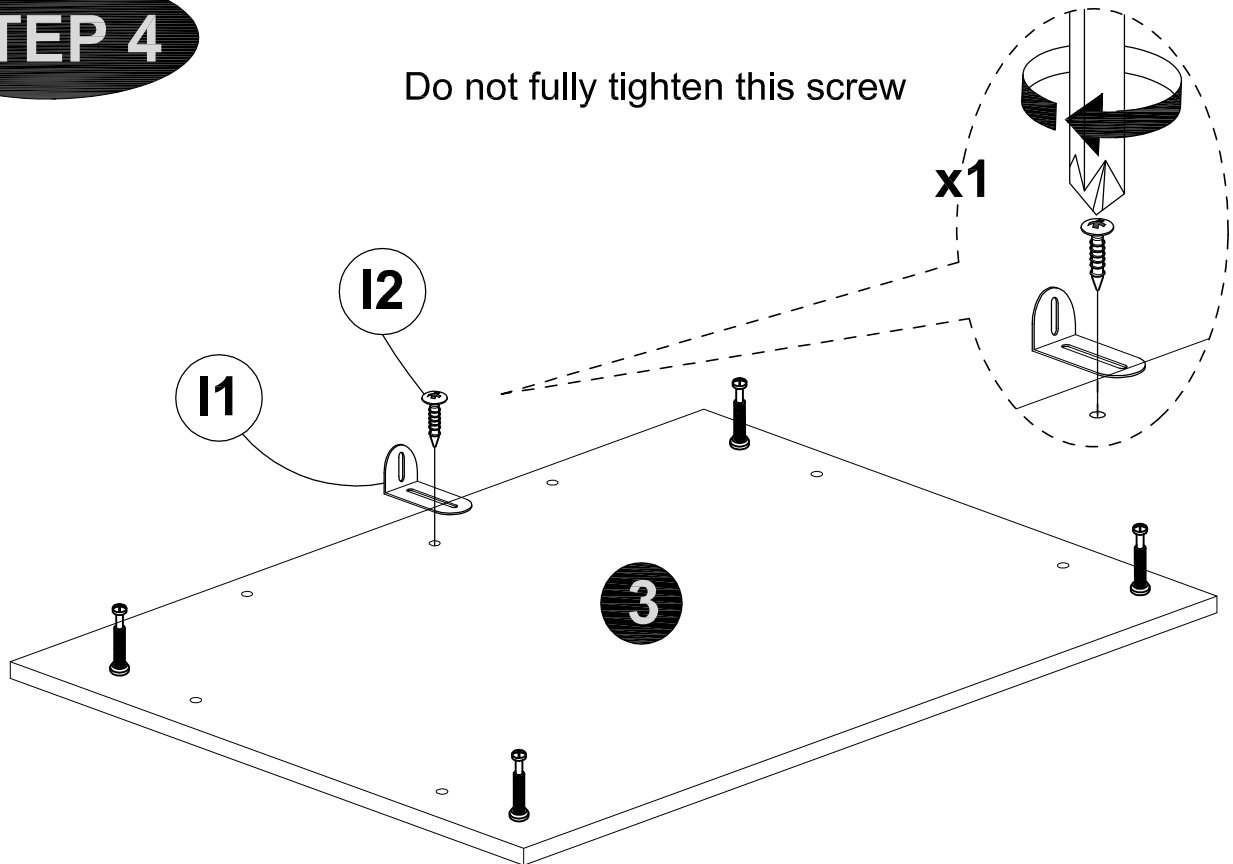
MODEL NAME: NFN062WH /  
NFN062BK

**STEP 3**



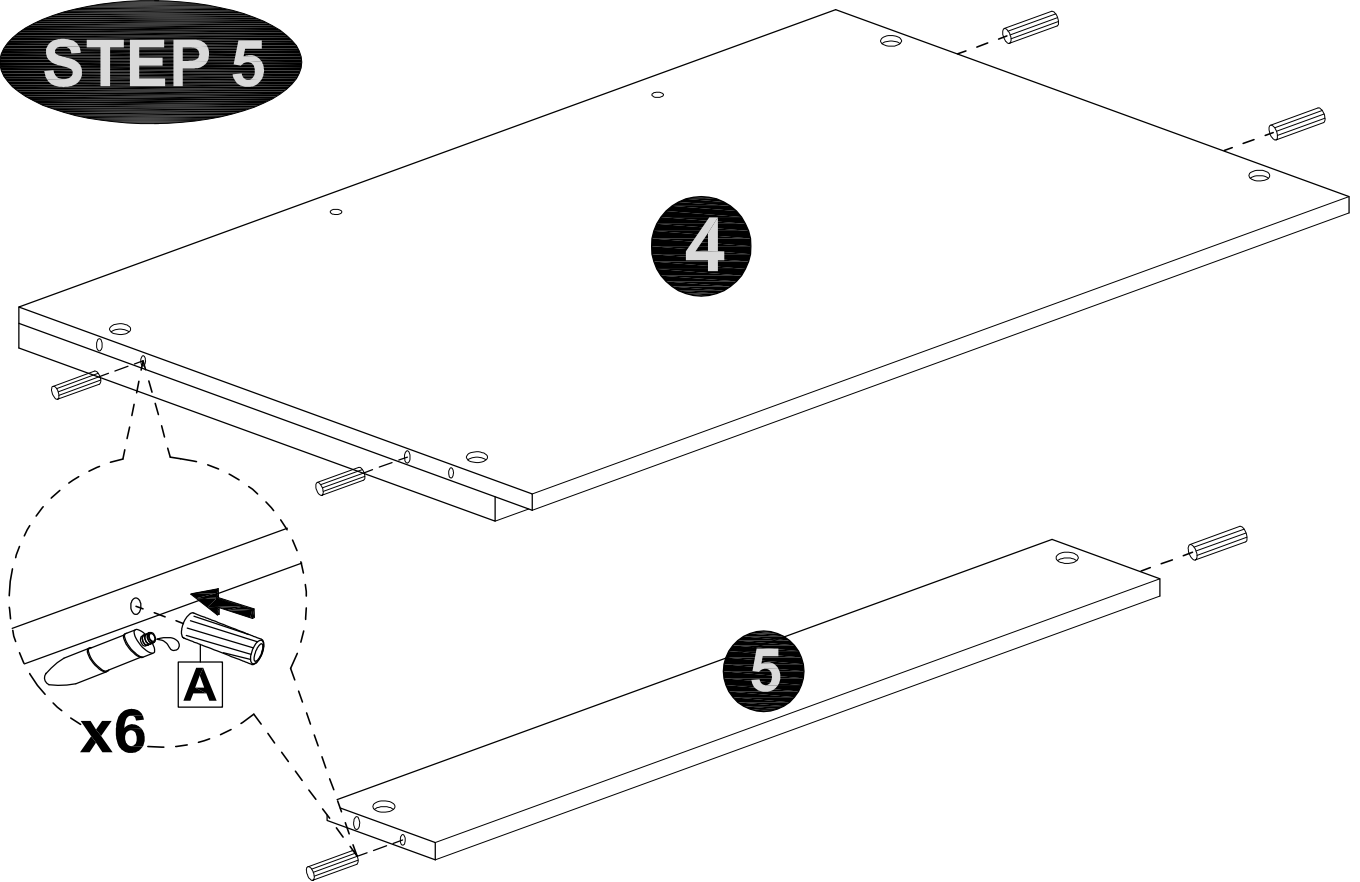
**STEP 4**

Do not fully tighten this screw

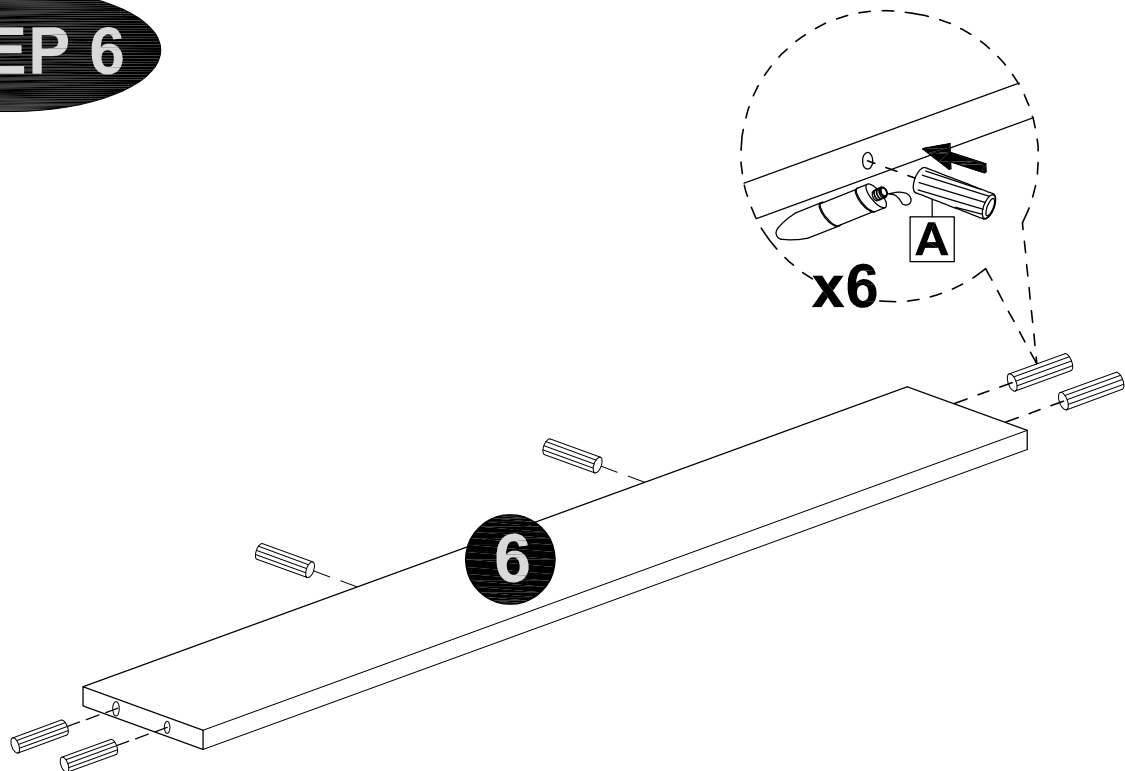


MODEL NAME: NFN062WH /  
NFN062BK

**STEP 5**

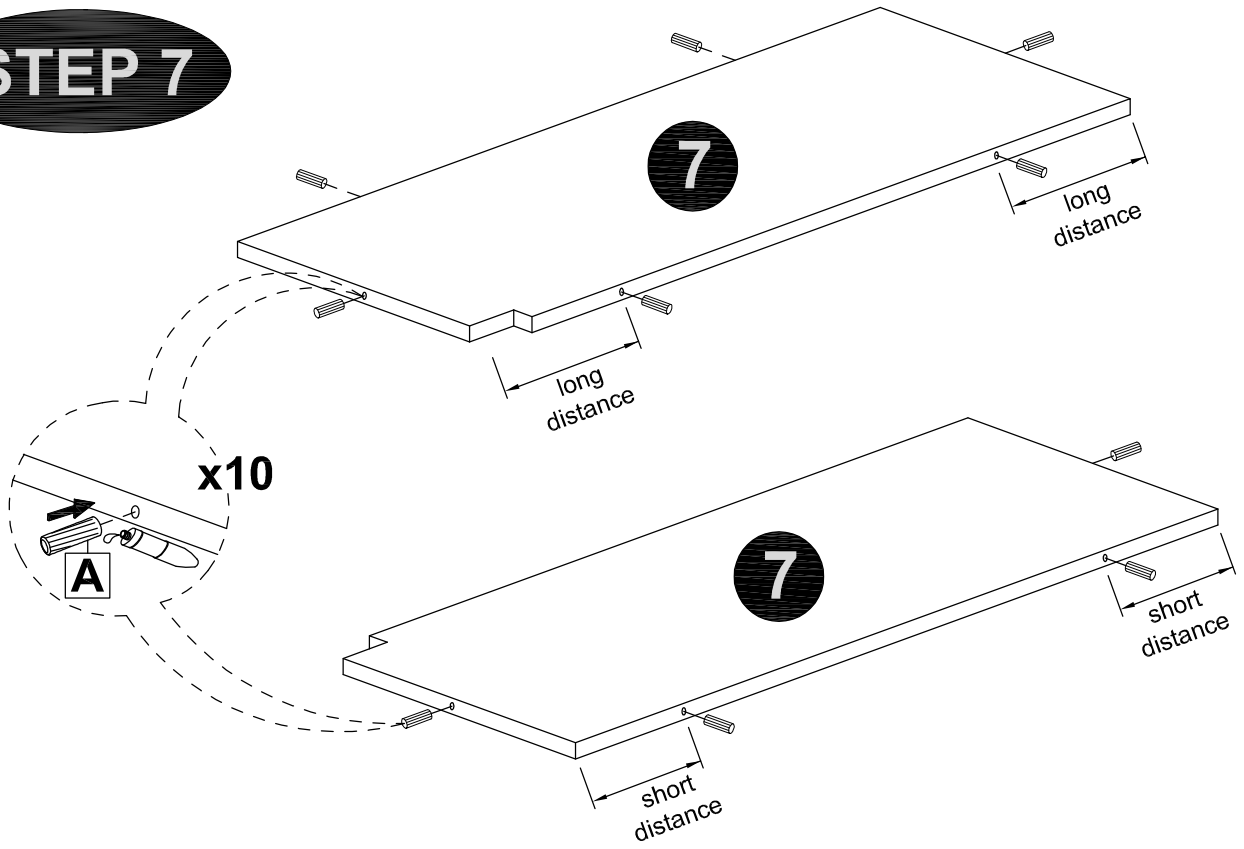


**STEP 6**

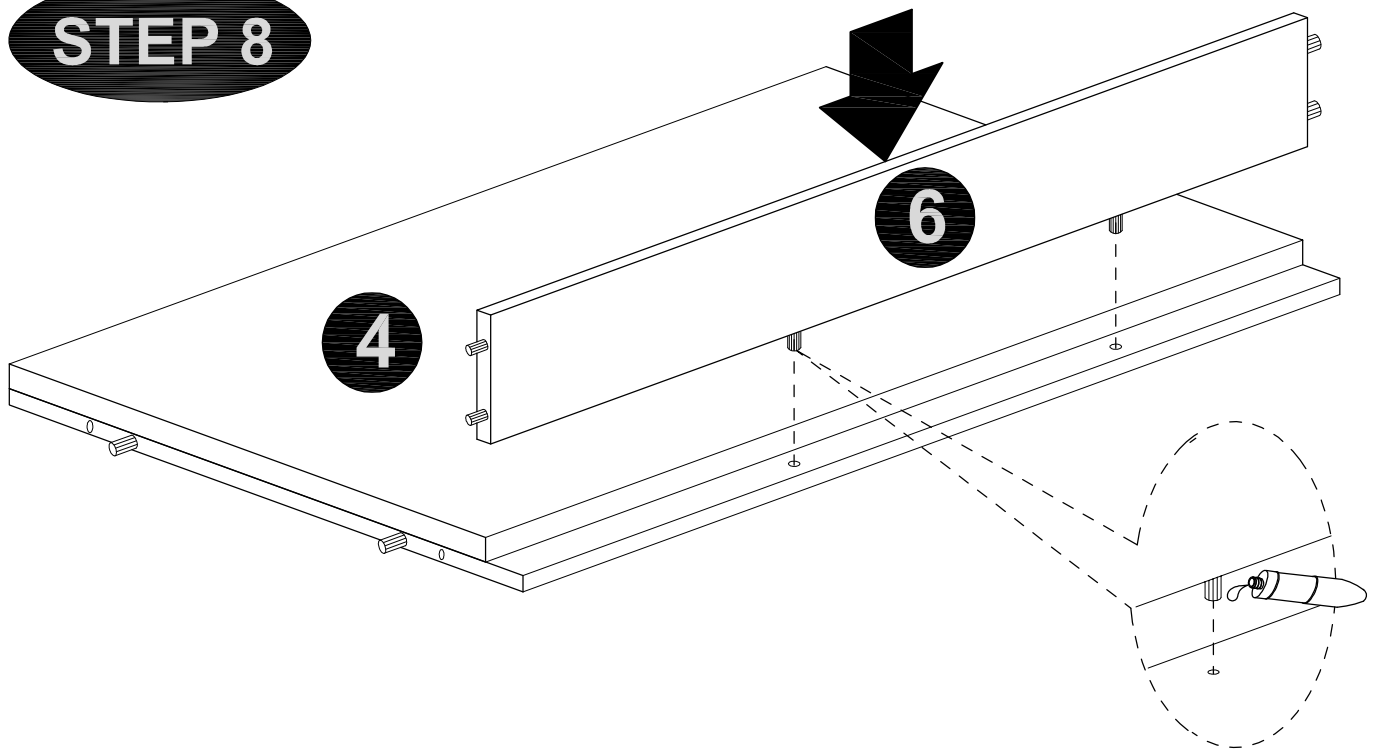


**MODEL NAME: NFN062WH /  
NFN062BK**

**STEP 7**

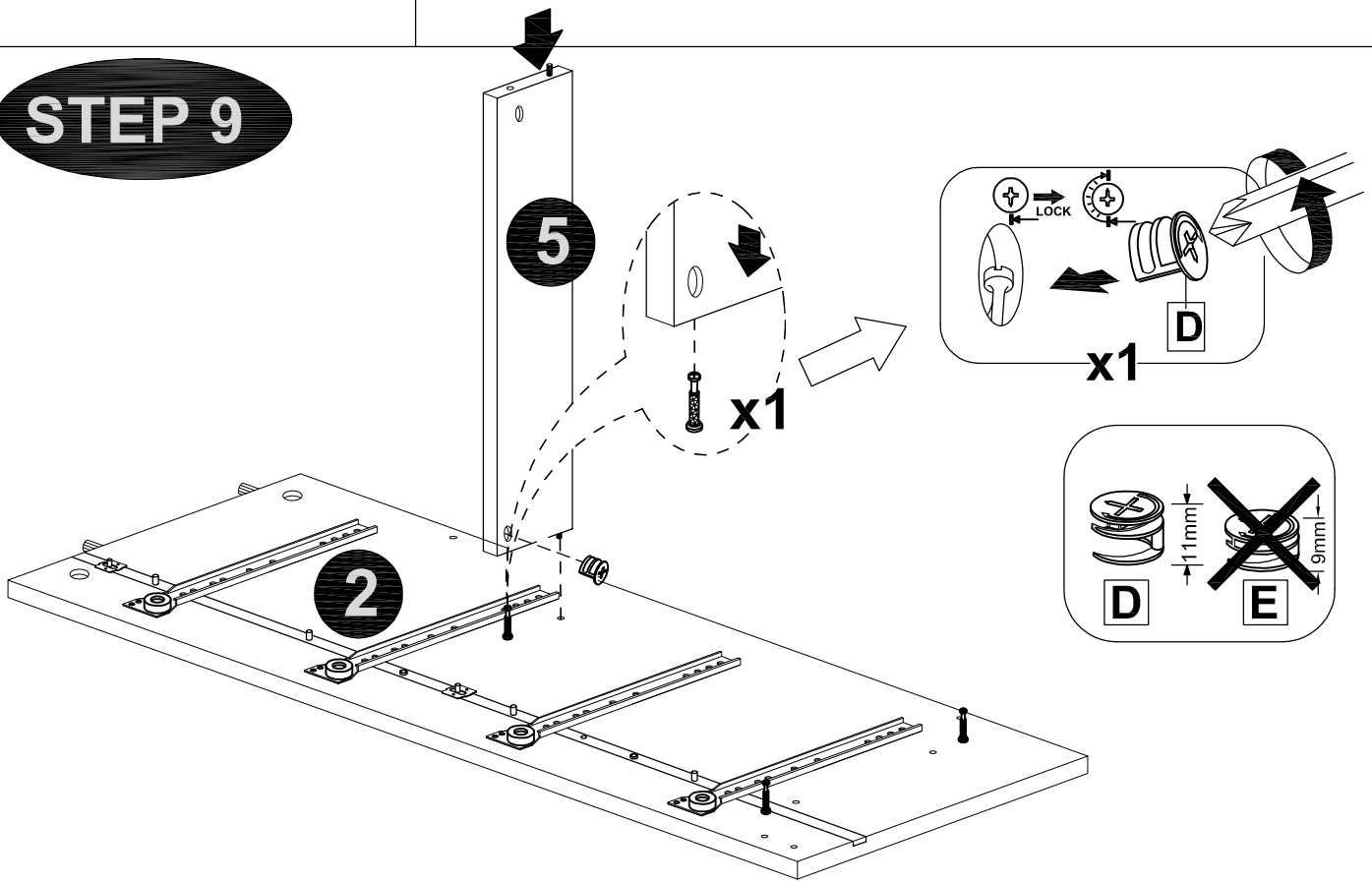


**STEP 8**

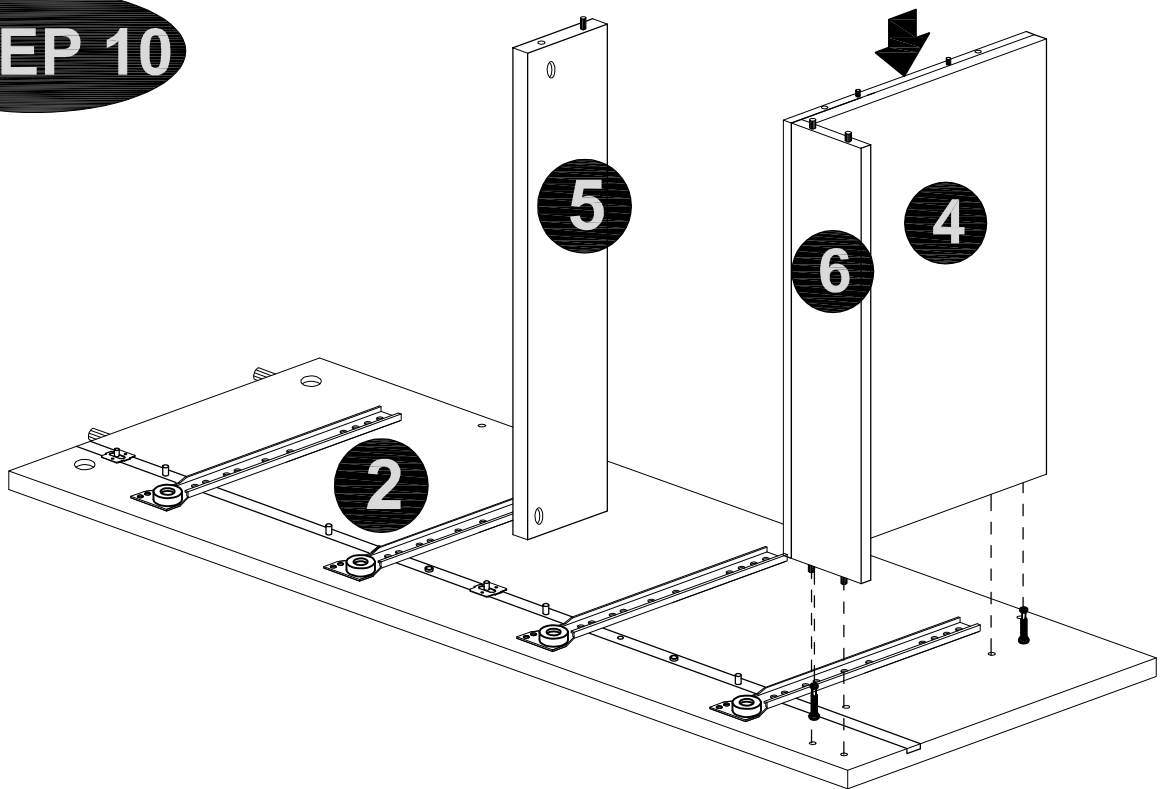


MODEL NAME: NFN062WH /  
NFN062BK

**STEP 9**

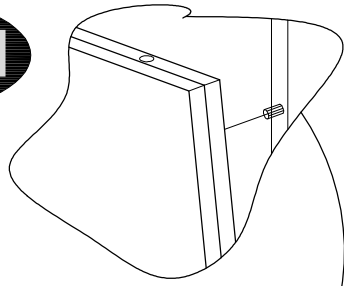


**STEP 10**

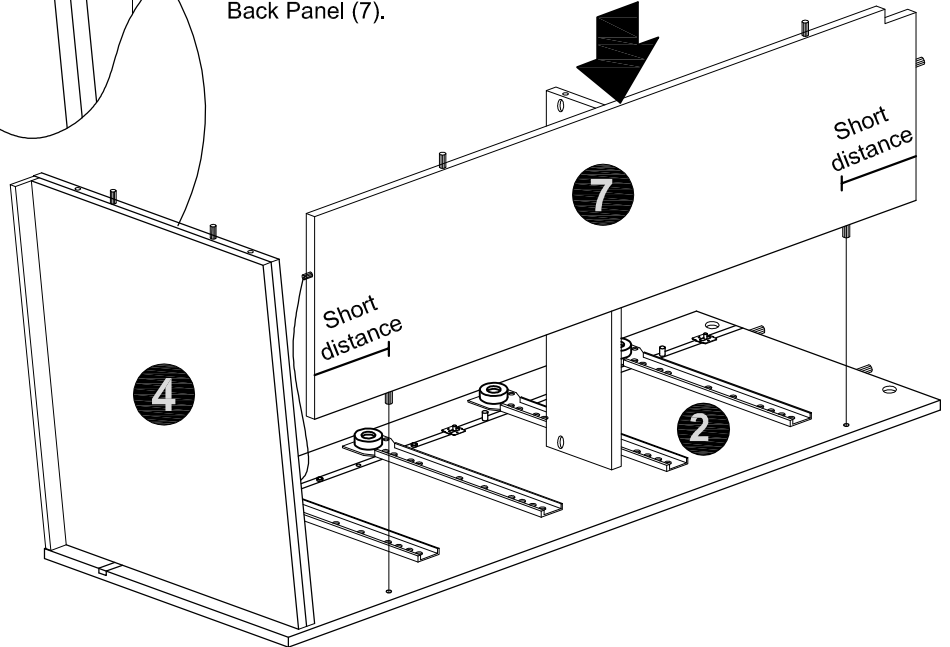


**MODEL NAME: NFN062WH /  
NFN062BK**

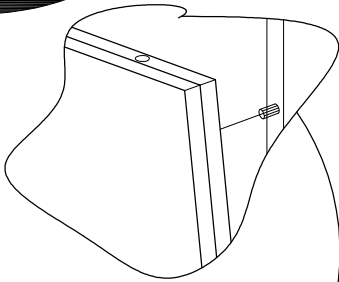
**STEP 11**



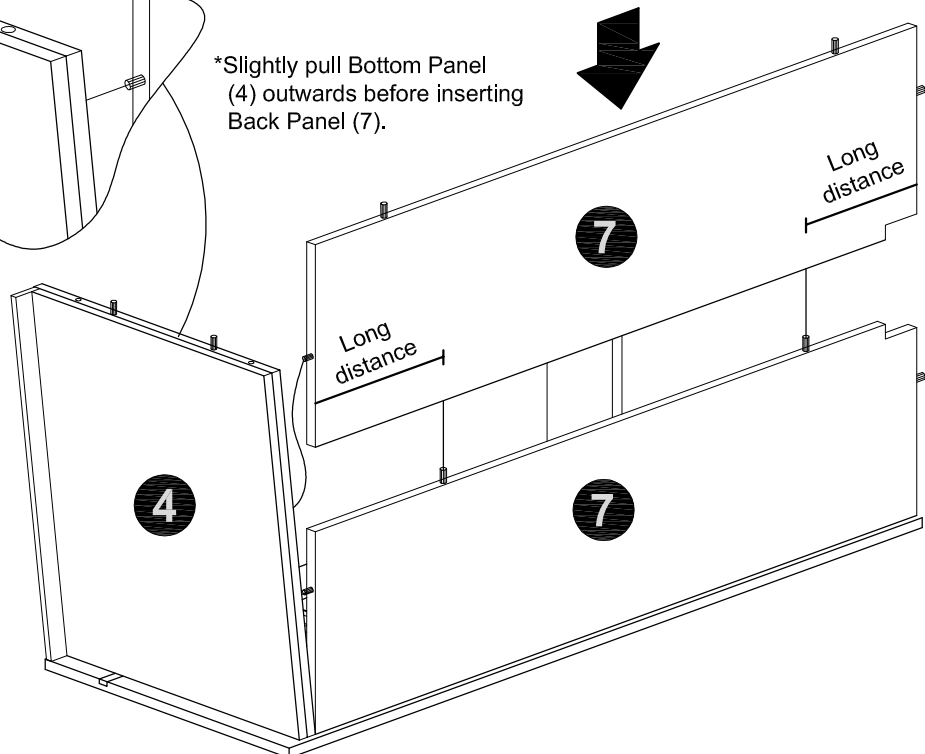
\*Slightly pull Bottom Panel (4) outwards before inserting Back Panel (7).



**STEP 12**

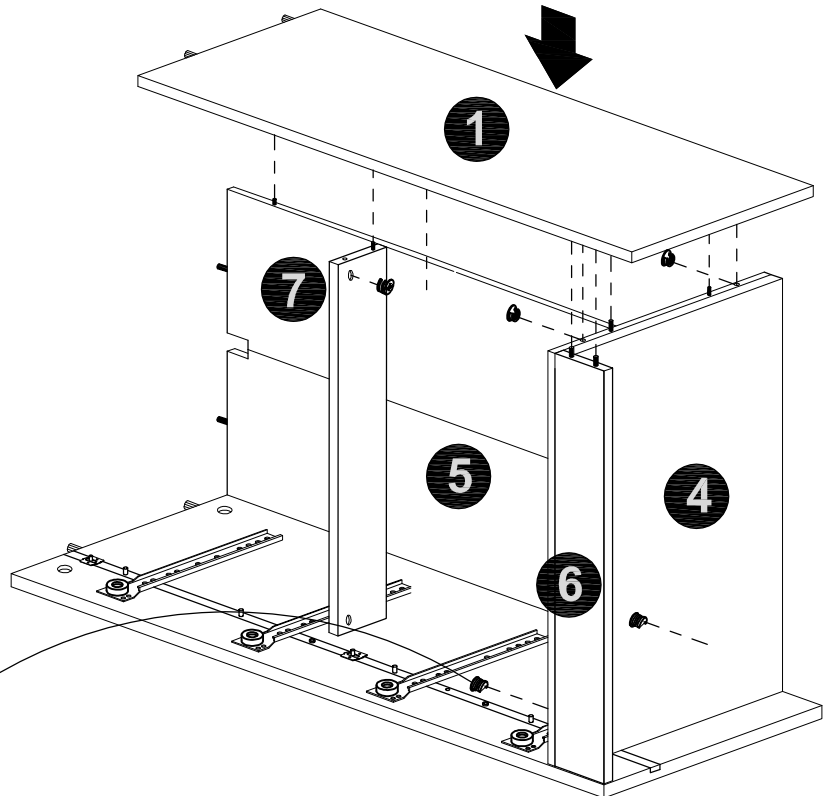
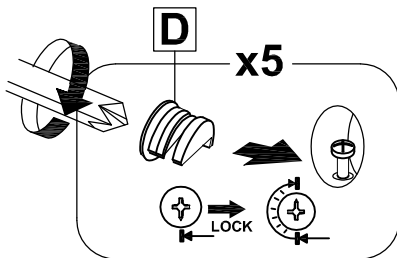
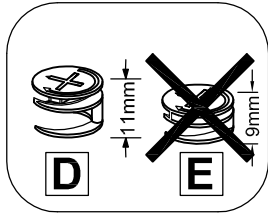


\*Slightly pull Bottom Panel (4) outwards before inserting Back Panel (7).

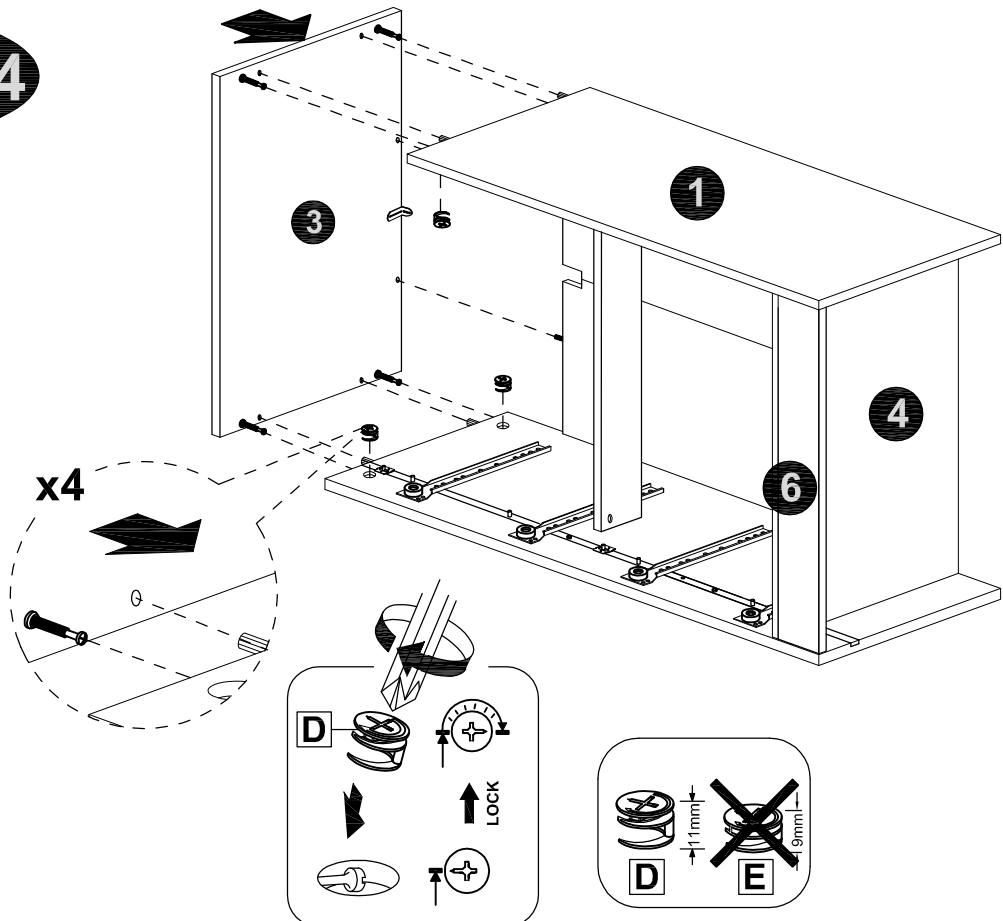


MODEL NAME: NFN062WH /  
NFN062BK

**STEP 13**

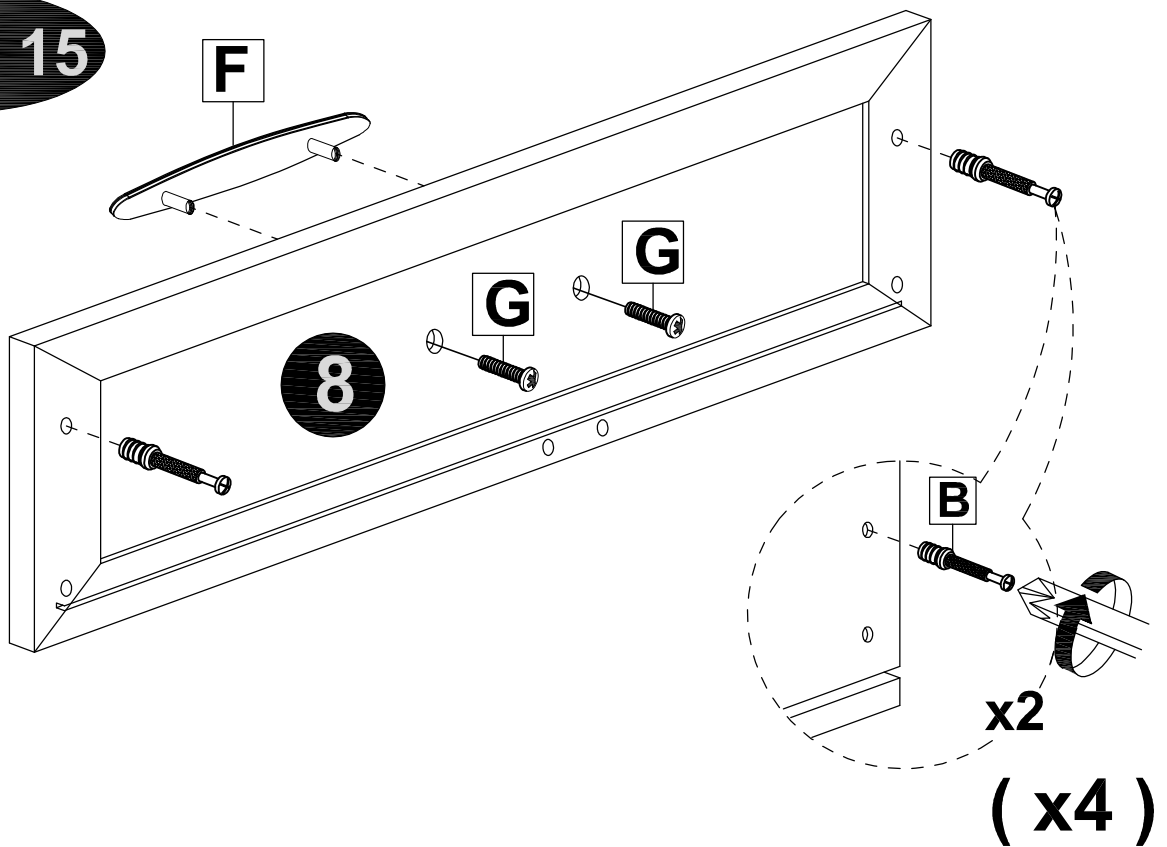


**STEP 14**

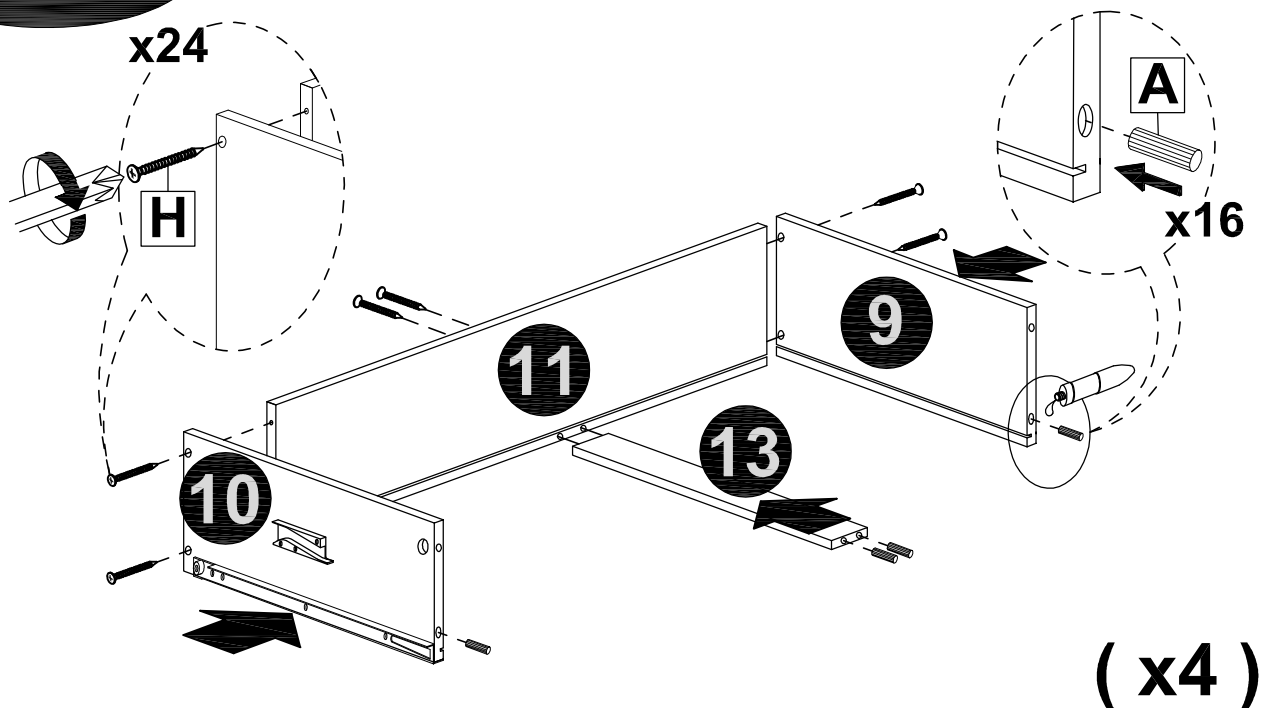


MODEL NAME: NFN062WH /  
NFN062BK

**STEP 15**

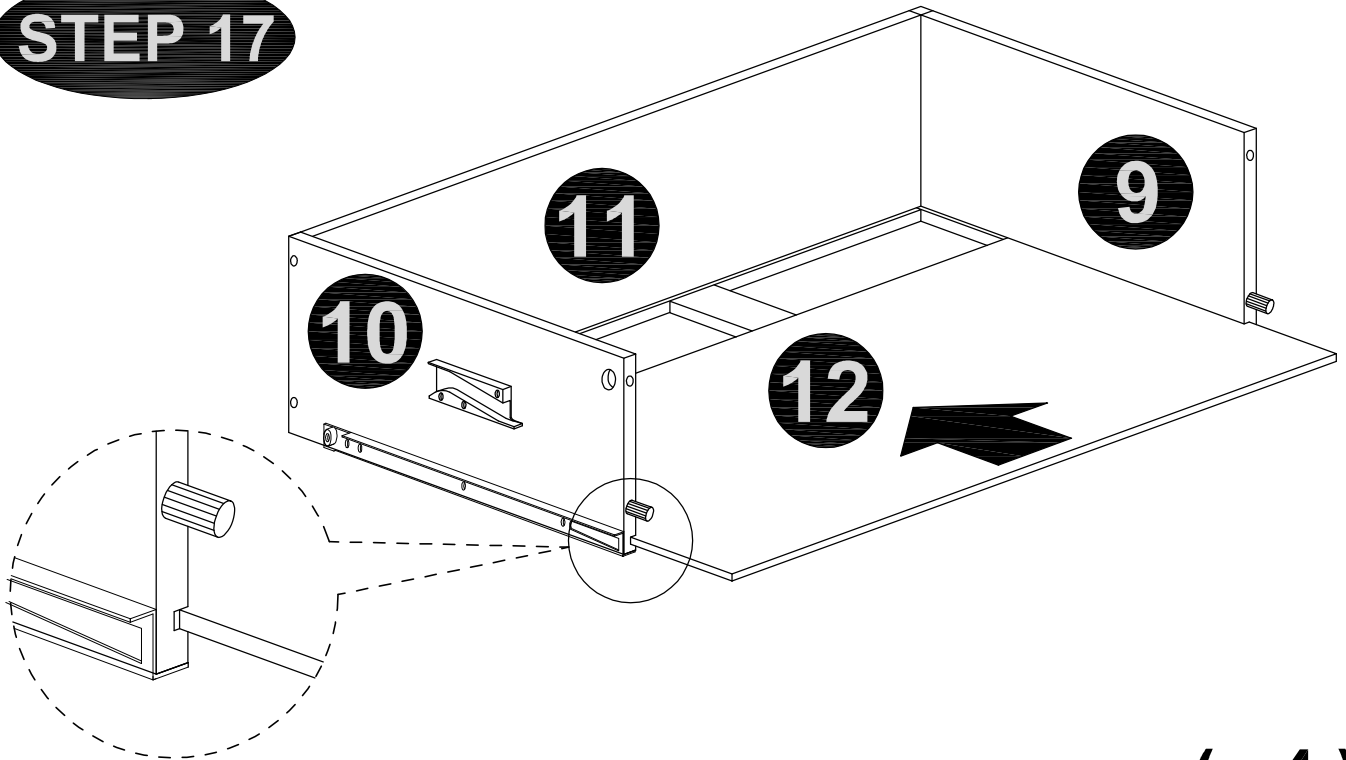


**STEP 16**



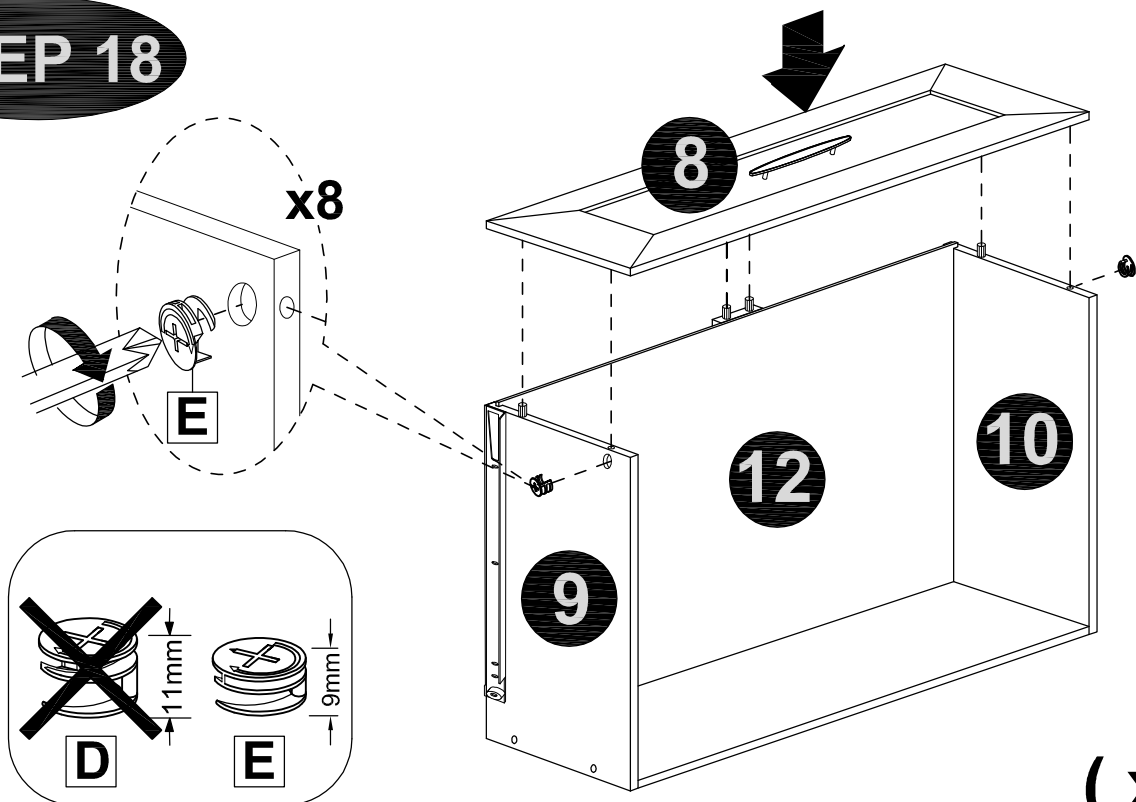
MODEL NAME: NFN062WH /  
NFN062BK

**STEP 17**



( x4 )

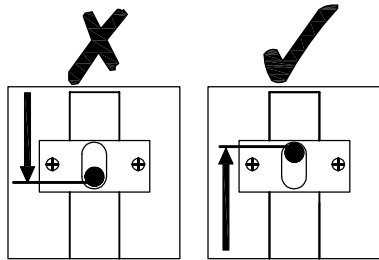
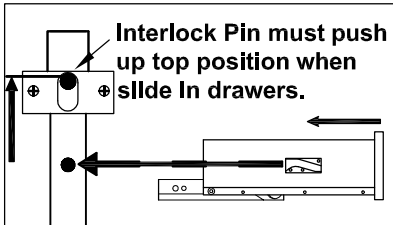
**STEP 18**



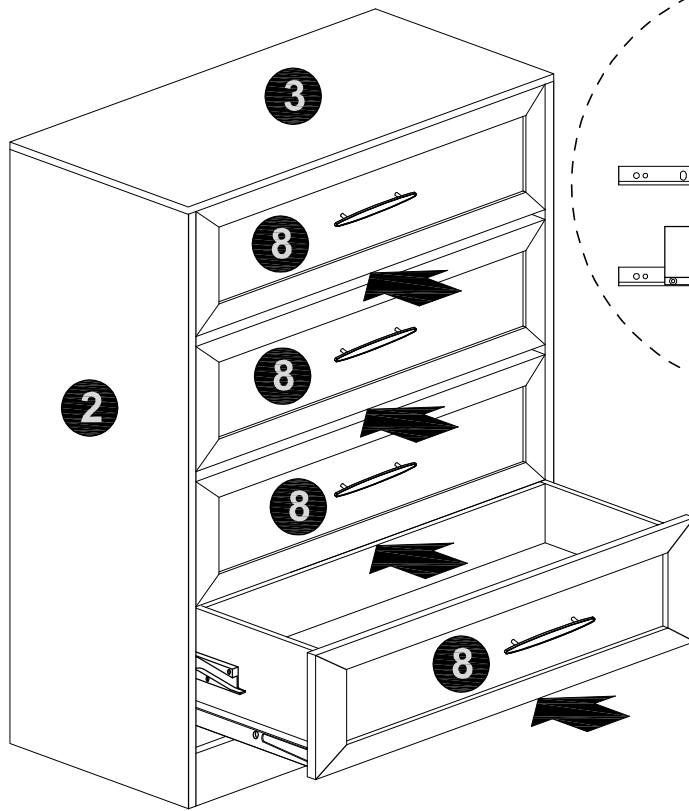
( x4 )

**MODEL NAME: NFN062WH /  
NFN062BK**

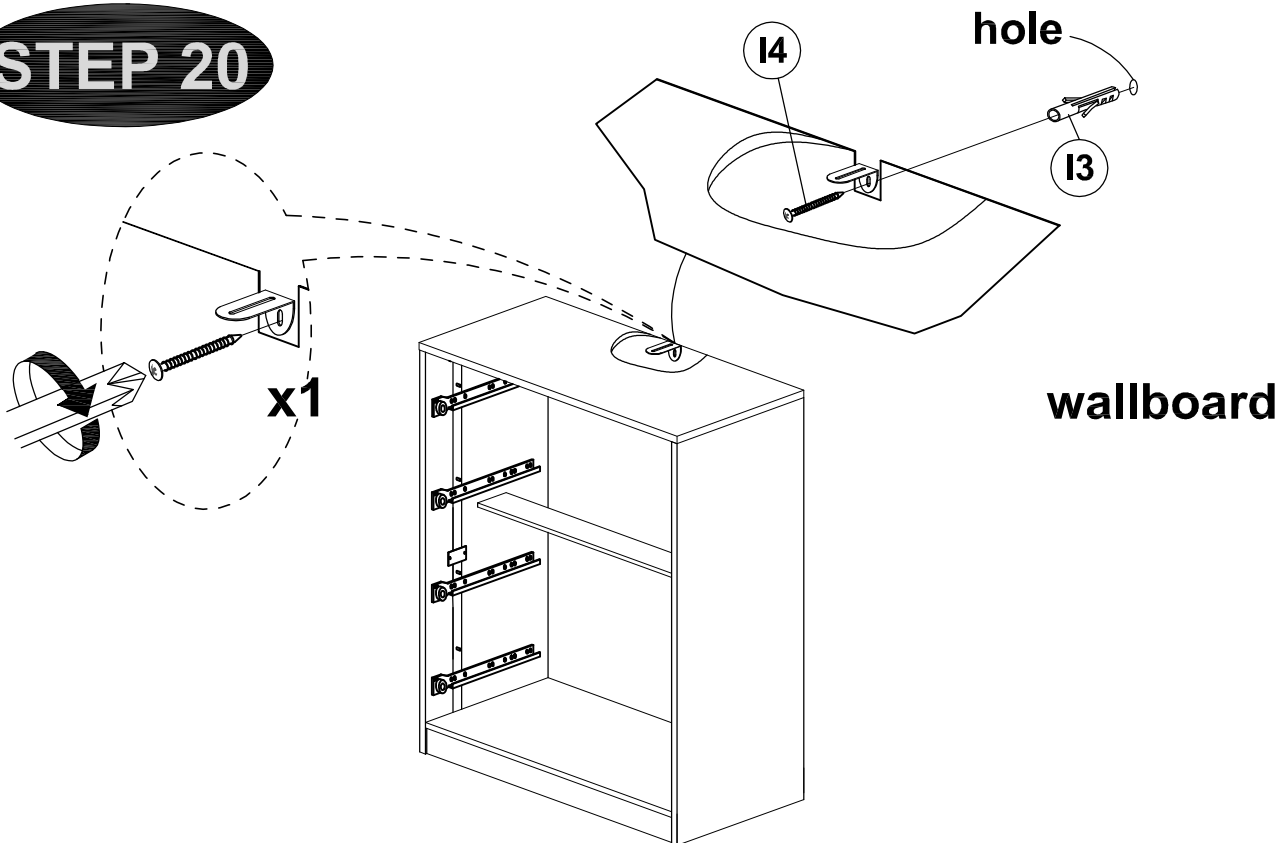
**STEP 19**



**Interlock Pin must push up top position when slide in drawers.**



**STEP 20**



**MODEL NAME: NFN062WH /  
NFN062BK**

**STEP 21**

