

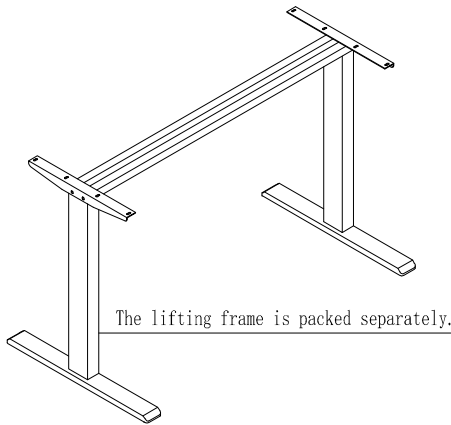
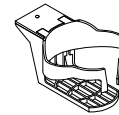


Installation & Assembly

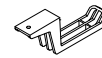
	A	1	4mm
	B	4	M6*14



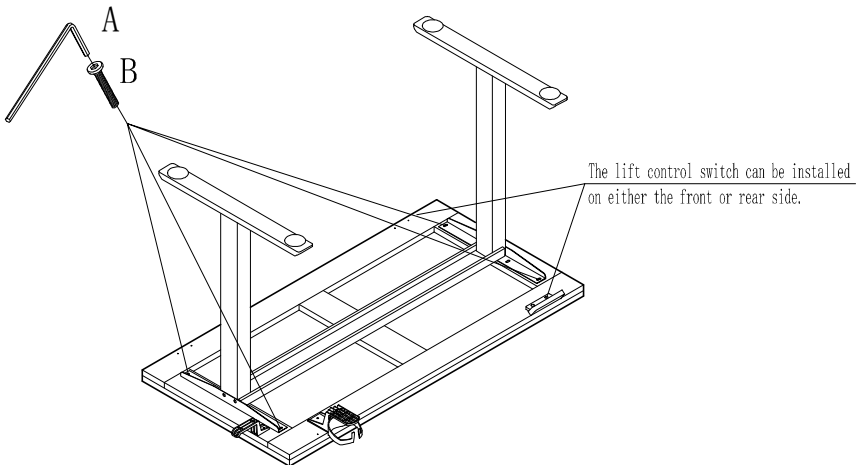
Step 1: Install the lifting frame first. (Place a soft material underneath to prevent scratches.)



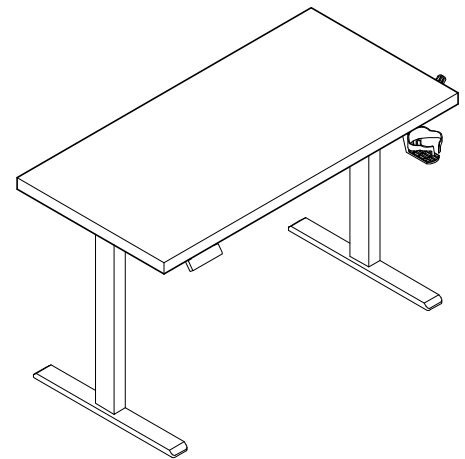
Cup Holder
(Install according to your preference)



Hanging Accessories (Headphones, etc.)
(Install according to your preference)



Step 2: Install the panel. (For other accessories, please refer to the installation instructions for the lifting frame.)



Step 3: Installation complete.