



10 : 00

---

estimated  
installation time



1 or more

---

people required

Ok, let's  
get started!



- Put on mood music!
- To prevent damage to product, use the clean side of package carton or rug as working surface for assembly.
- In the event of missing or damaged parts, delivery problems etc., please reach out to our team. We will be happy to fix the problem!

# care guide

- Clean regularly with a soft and dry cloth.
- To protect finish, avoid use of abrasive cleaners.
- Wipe up spills immediately. Please!

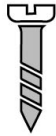


# product parts



(A)  
Shelf  
x1

# what's included



(B)- Screw  
x6



(C) - Wall Plug  
x6

## installation instructions

Friendly Tip: Take a deep breath going on. This is easy even if you are not used to tools. Just follow these steps to the T, and the outcome will be worth it!





Metal back downwards

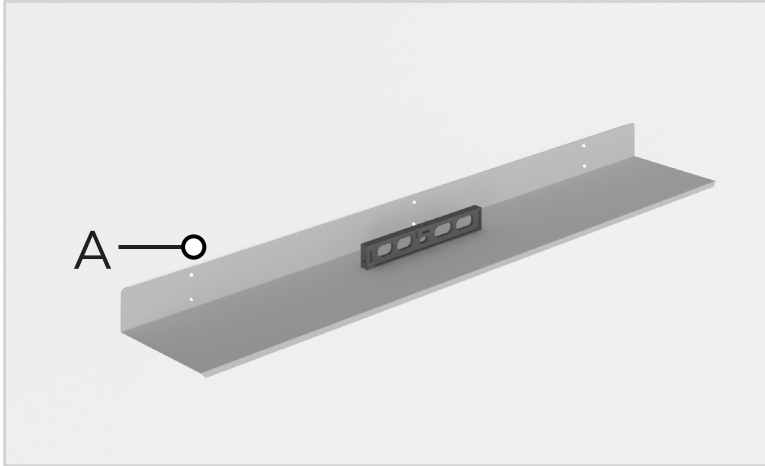
ONE SHELF, TWO STYLES: This shelf has a dual orientation feature. It can be hung with the metal back facing up and facing down. Follow the same installation steps for both styles.



Metal back upwards

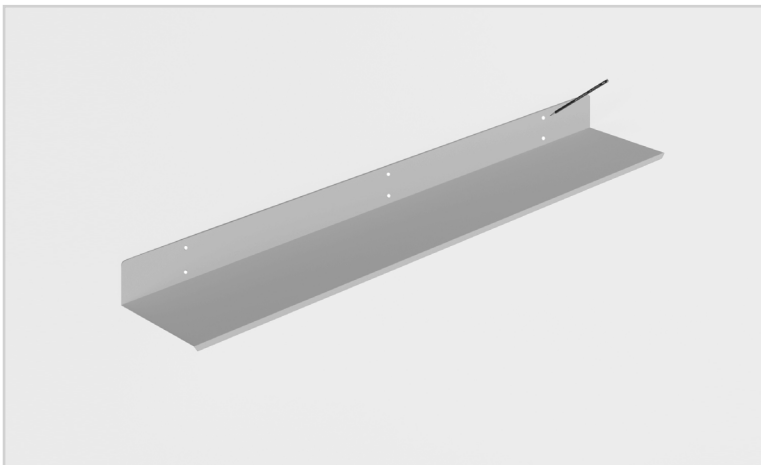
step 1:

Place the shelf on the wall and put a spirit level on it to check its alignment. Adjust till the angle is straight.



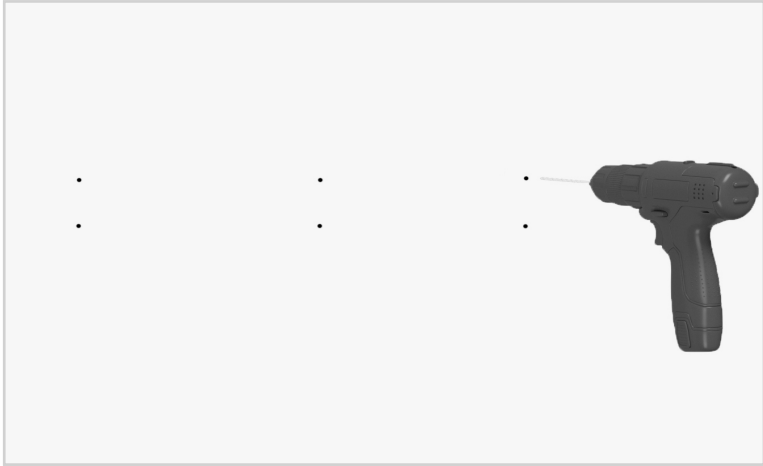
step 2:

Once the shelf is in a straight alignment, make marks on the wall through the predrilled holes on the shelf.



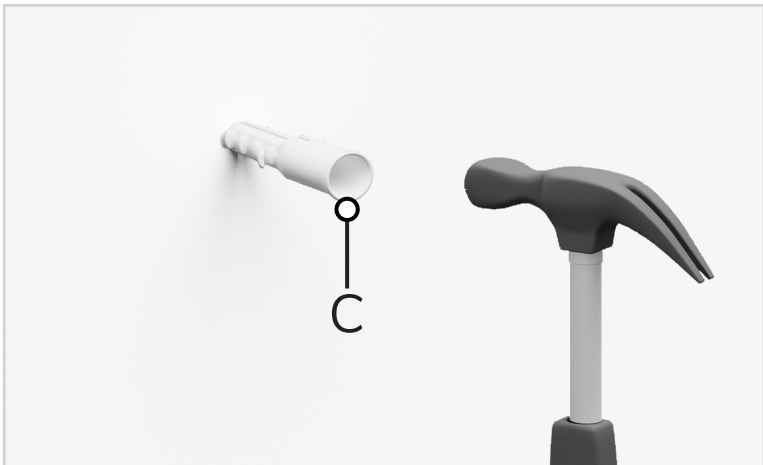
step 3:

Drill holes at the points you just marked.



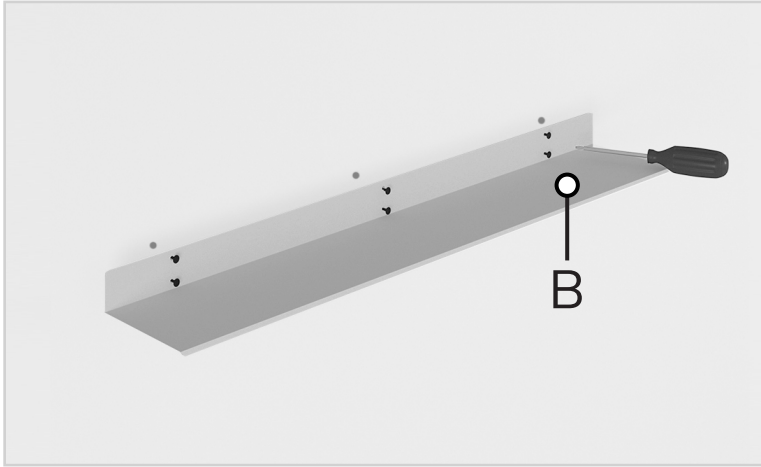
step 4:

Using a hammer, insert wall plugs (C) inside the hole.



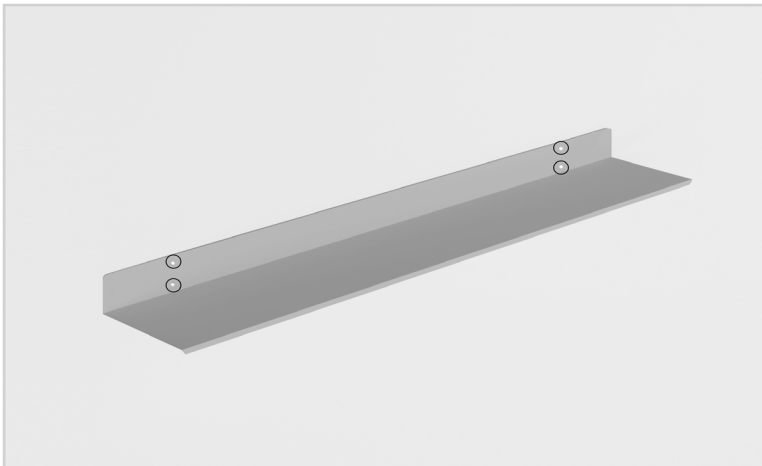
### step 5:

Place the shelf so that the predrilled holes on it are right above the wall plugs. Fix the screws (B) into the wall plugs over the shelf. Use a screwdriver to make sure they are secure.



### step 6:

To install the smaller shelf, follow the steps above. However, instead of six drilling points, the smaller shelf has four drilling points.





---

**Voila! Your shelf is now installed and secure!**