
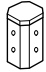
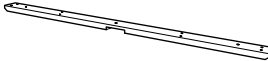
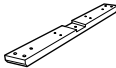
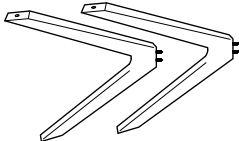
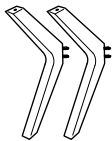

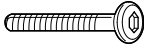







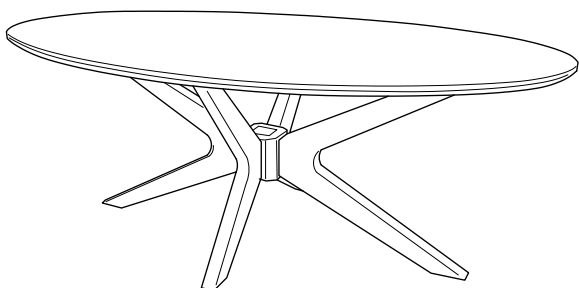


ASSEMBLY INSTRUCTION

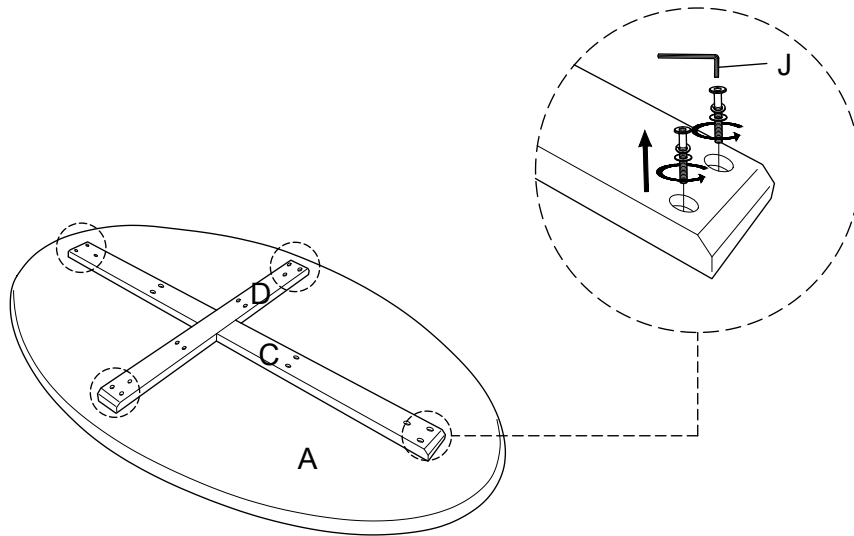
OVAL DINING TABLE

A Table Top  1 pc	B Pedestal  1 pc	C Cross Bar - Big  1 pc	D Cross Bar - Small  1 pc
E Table Leg - Big  2 pcs	F Table Leg - Small  2 pcs	G JCBC Bolt M6 x 30mm  8 pcs	H JCBC Bolt M6 x 40mm  4 pcs
I Spring Washer M6  12 pcs	J Allen Key M4 x 110mm  1 pc	K Hex Comb M8  8 pcs	L Spring Washer M8  8 pcs
M Flat Washer M8  8 pcs	N Spanner 12.8mm  1 pc	O Flat Washer M6 x 13mm  8 pcs	

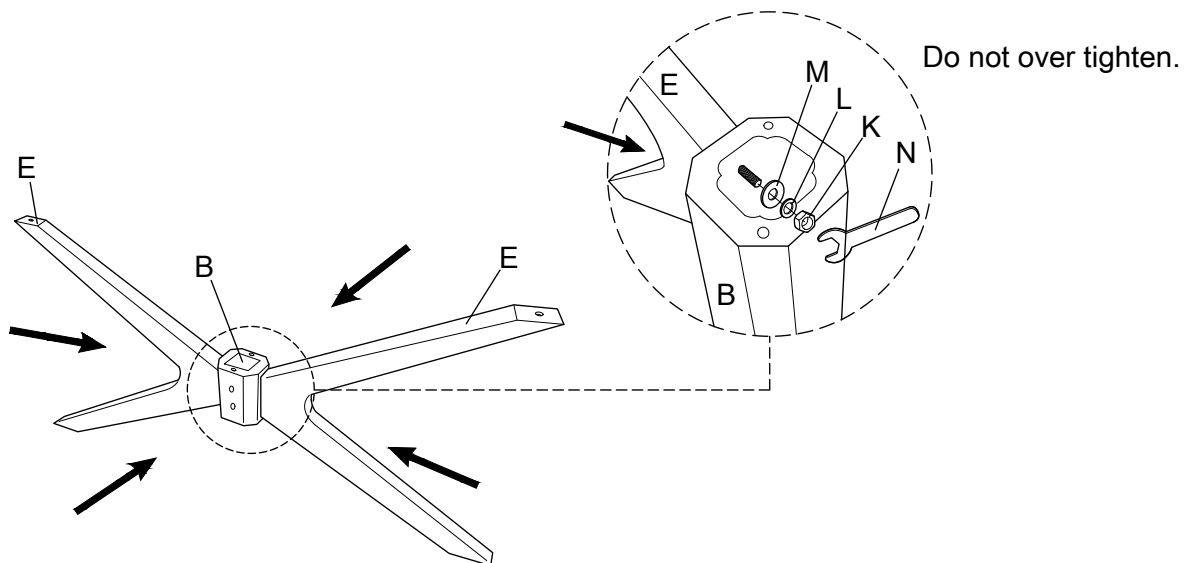


This page lists all the contents included in the box. Please take the time to identify the hardware as well as the individual components to this product. As you unpack and prepare for assembly, place the contents on a carpeted or padded area to protect them from damage.

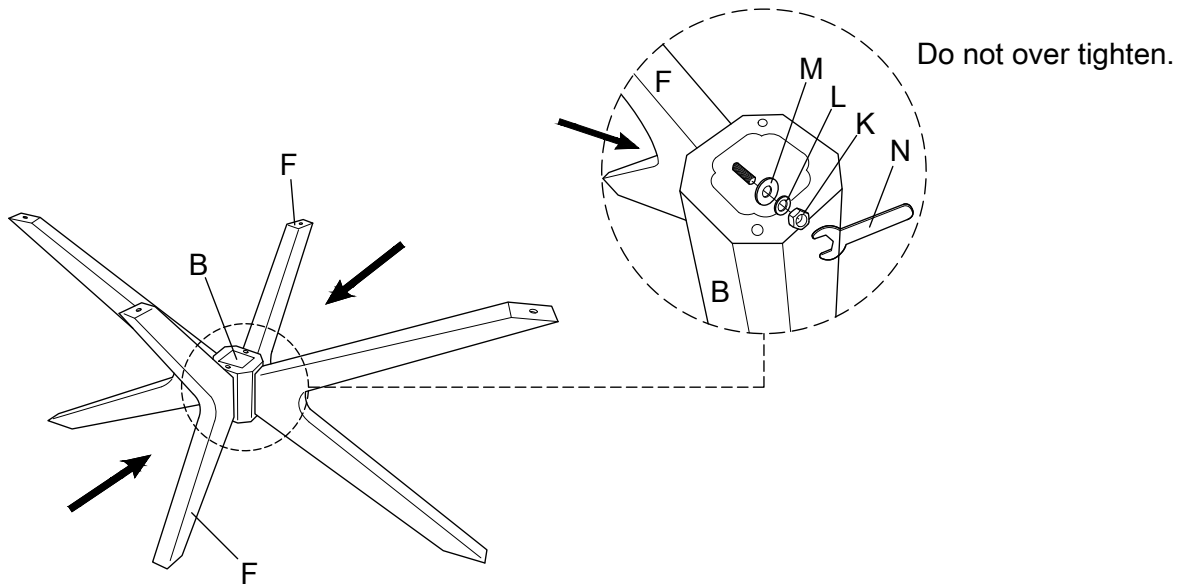
- 1** Uninstall both Cross Bar - Small (D) and Cross Bar - Big (C) from Table Top (A) as shown below. Use Allen Key (J) to unscrew the JCBC Bolt from both of the Cross Bar. Retain hardware for assembling in Step 6.



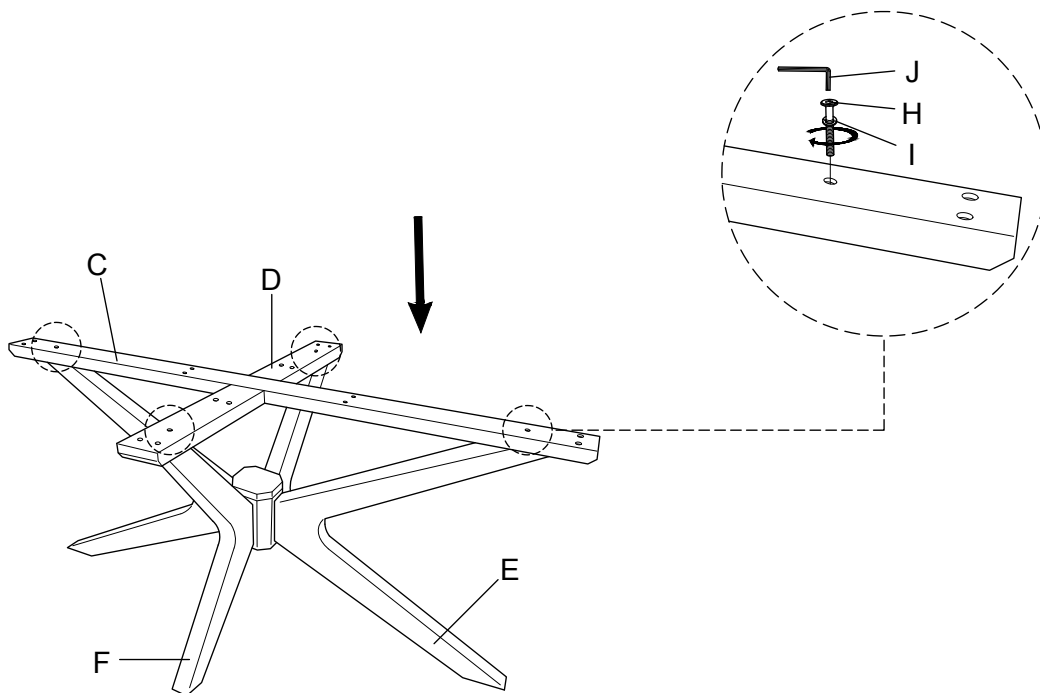
- 2** Install Table Leg - Big (E) with Pedestal (B) by using Flat Washer (M), Spring Washer (L), and Hex Comb (K). Use Spanner (N) to tighten the Hex Comb (K) but make sure not too over tighten and make it loose.



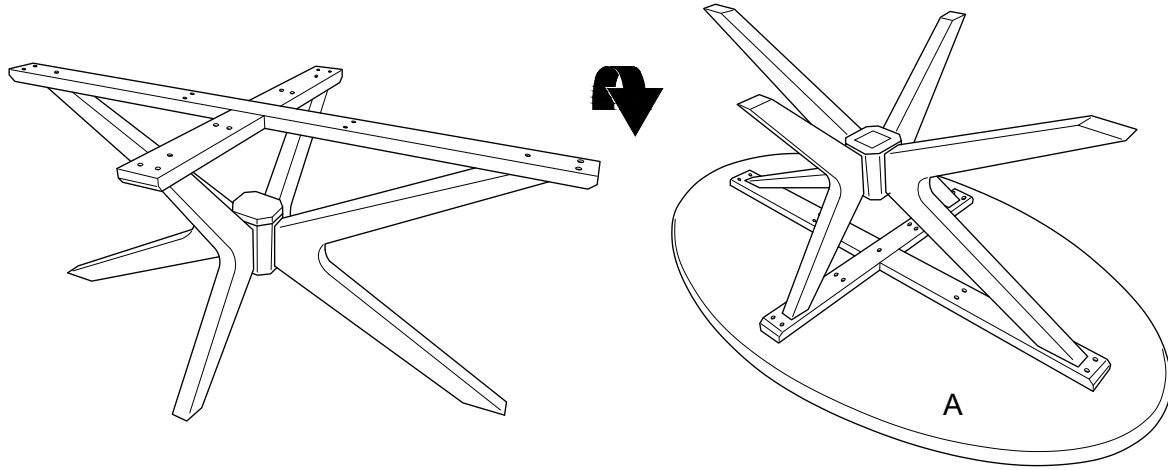
3 Then, install Table Leg - Small (F) with Pedestal (B) by using Flat Washer (M), Spring Washer (L), and Hex Comb (K). Use Spanner (N) to tighten the Hex Comb (K) but make sure not too over tighten and make it loose.



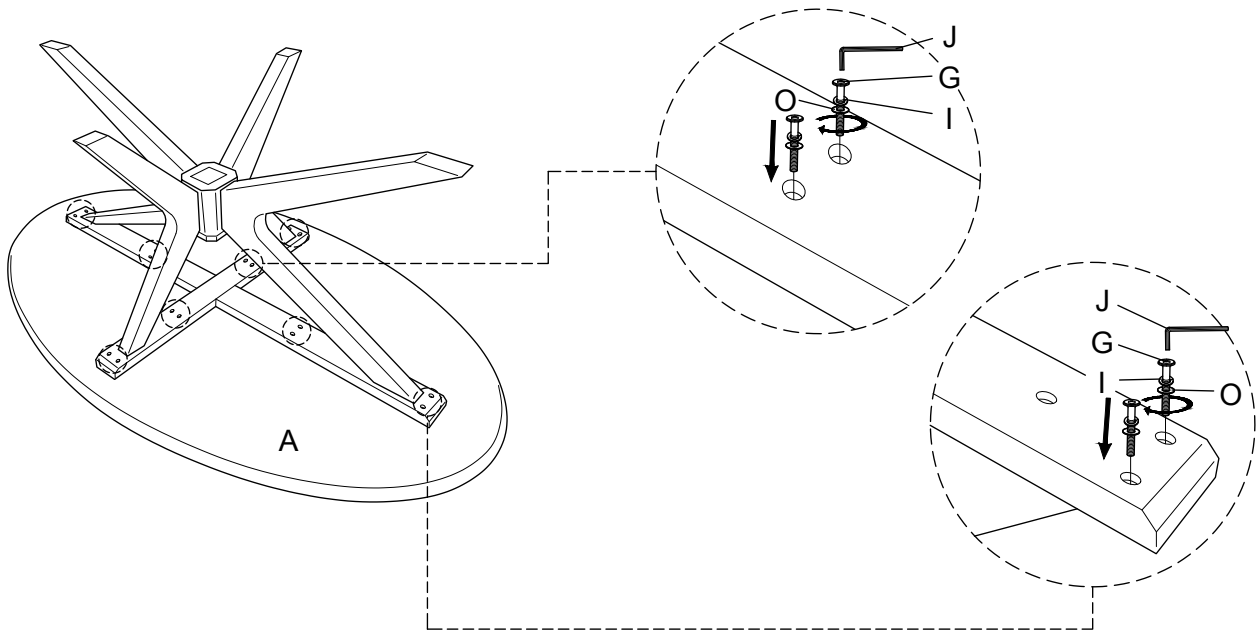
4 Install both Cross Bar - Small (D) and Cross Bar - Big (C) to the Table Leg - Big (E) and Table Leg - Small (F). Use Spring Washer (I) and JCBC Bolt (H) and tighten the assembly by Allen Key (J).



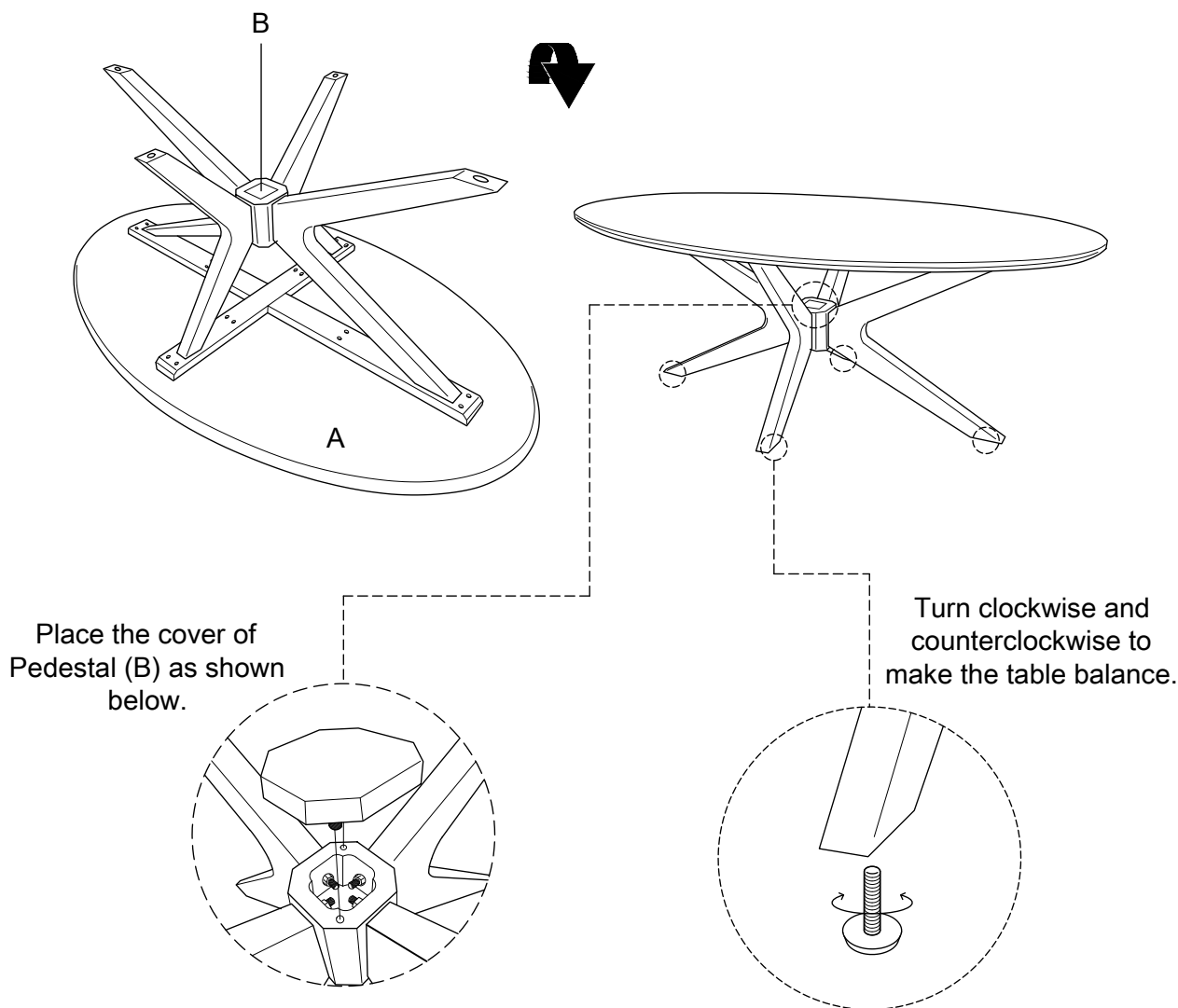
5 Flip over the previous assembly from Step 4 on bottom part of Table Top (A) as shown below. This step needs an assistance to flip the previous assembled from Step 4.



6 Install the table by using the remain hardware from Step 1. Then continue assembling by using the prepared hardware Spring Washer (I), Flat Washer (O), and JCBC Bolt (G) and tighten all section using Allen Key (J).



7 Flip over the previous assembly from Step 6 and place the cover of Pedestal (B) as shown below. Then, adjust the adjuster leg to balance the table.



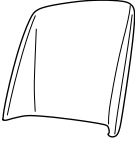
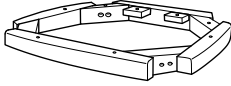

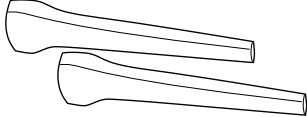
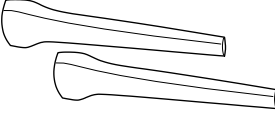

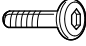


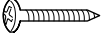

Stand the table up on even surface and check that it is balanced. If there is a slight wobble, apply downward pressure in the corner where a leg is uneven. Keeping pressure in that corner, tighten all bolts. If balanced, apply downward pressure evenly in the center and tighten all bolts. Do not over-tighten beyond hole depth.

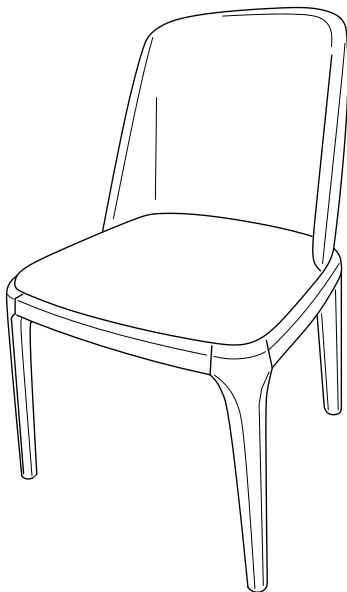
Cleaning & Care

Treat surface with care. Surface is resistant to scratches but is not scratch resistant. Clean surfaces with a dry or damp soft cloth. Do not use abrasive cleaners. Hardware may loosen over time. Periodically check that all connections are tight.

ASSEMBLY INSTRUCTION

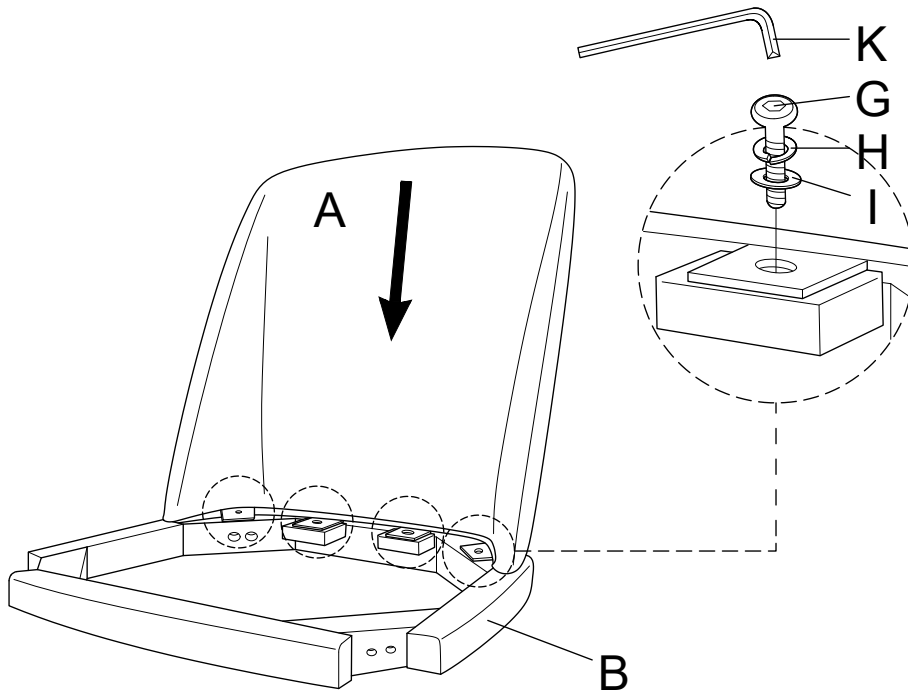
DINING CHAIR

A Back Rest  1 pc	B Box Seat  1 pc	C Cushion Seat  1 pc	D Front Leg - Long  2 pcs
E Back Leg - Short  2 pcs	F JCBC Bolt M6 x 70mm  8 pcs	G JCBC Bolt M6 x 20mm  4 pcs	H Spring Washer M6  12 pcs
I Flat Washer M6  12 pcs	J CSK Screw M4 x 32mm  4 pcs	K Allen Key M4 x 110mm  1 pc	

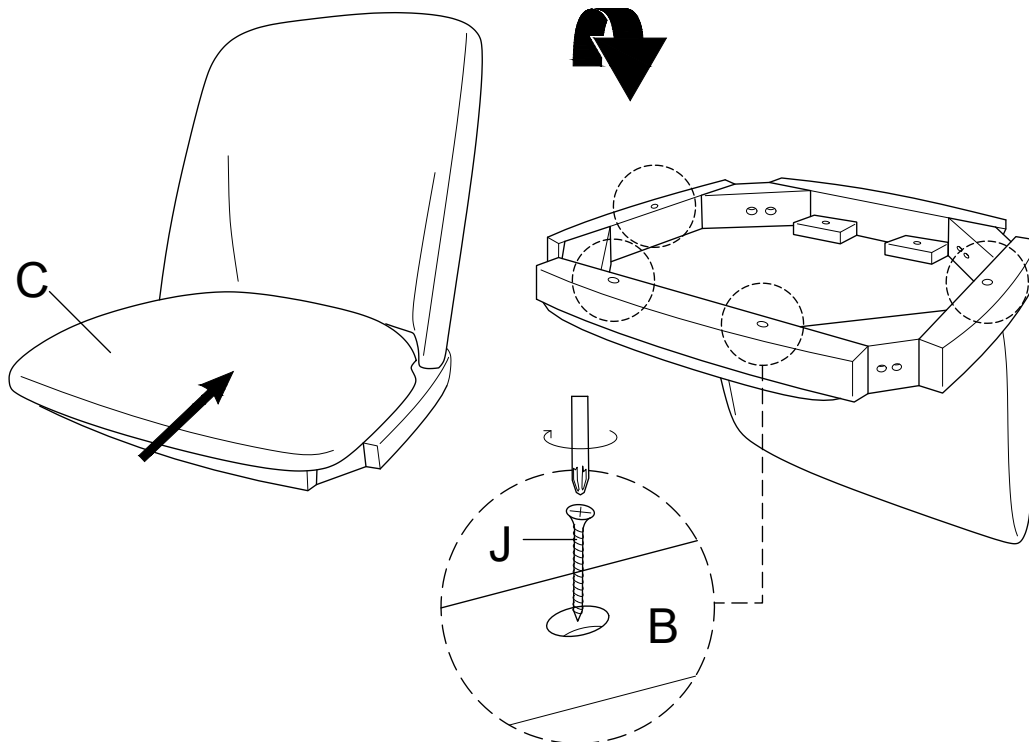


This page lists all the contents included in the box. Please take the time to identify the hardware as well as the individual components to this product. As you unpack and prepare for assembly, place the contents on a carpeted or padded area to protect them from damage.

1 Install Back Rest (A) with Box Seat (B) by using Flat Washer (I), Spring Washer (H), and JCBC Bolt (G). Use Allen Key (K) to tighten all sections as shown below.

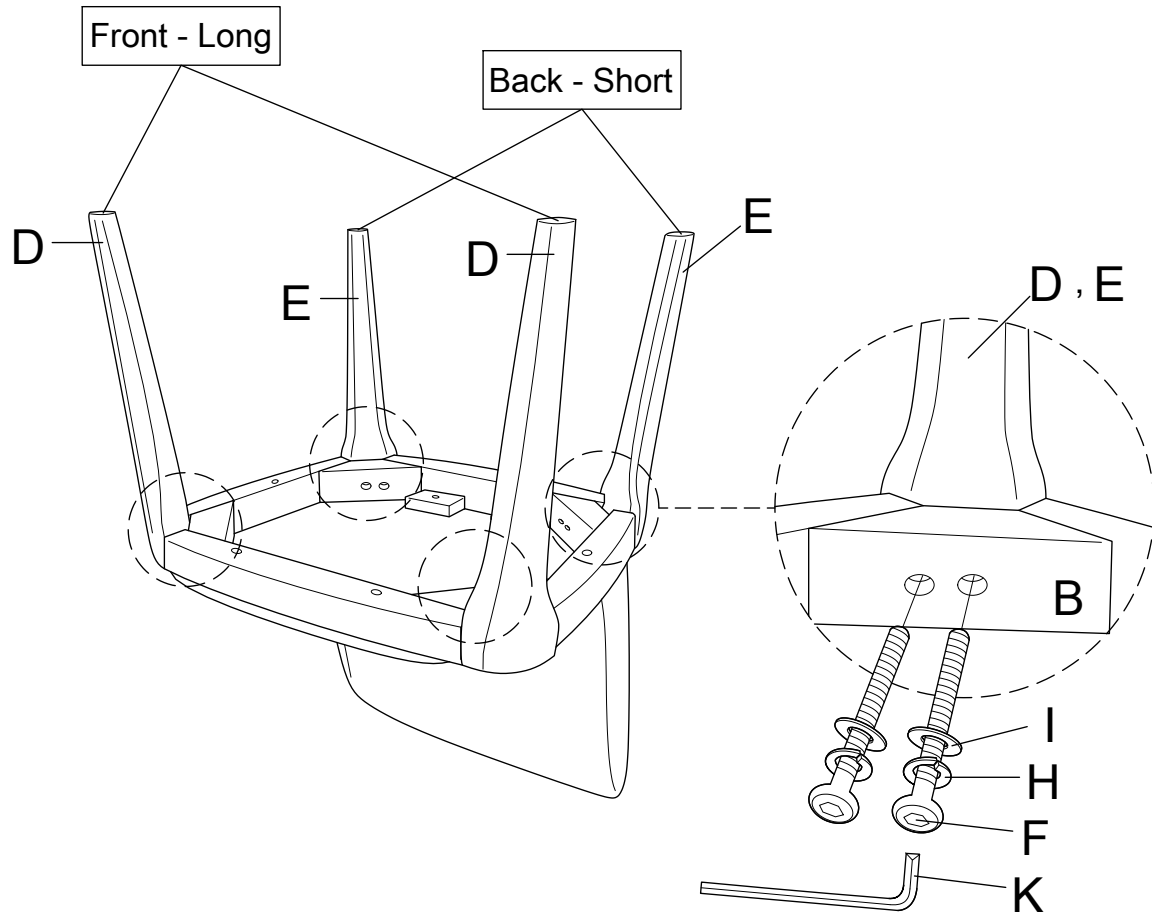


2 Put Cushion Seat (C) as shown below and flip over to continue installing by using CSK Screw (J). In this step, you need an edge of any suitable table and cover the surface with soft rug or carpet. Tighten all sections in this step.



3

Maintain the previous assembly to install Front Leg - Long (D) and Back Leg - Short (E). Make sure to measure all parts of (D) and (E) to determine the length. The longest one for the front leg and the shortest for back leg. Use Flat Washer (I), Spring Washer (H), and JCBC Bolt (F) to install (D) and (E). Use Allen Key (K) to tighten all sections.



Stand the chair up on even surface and check that it is balanced. If there is a slight wobble, apply downward pressure in the corner where a leg is uneven. Keeping pressure in that corner, tighten all bolts. If balanced, apply downward pressure evenly in the center and tighten all bolts. Do not over-tighten beyond hole depth.

Cleaning & Care

Treat surface with care. Surface is resistant to scratches but is not scratch resistant. Clean surfaces with a dry or damp soft cloth. Do not use abrasive cleaners. Hardware may loosen over time. Periodically check that all connections are tight.