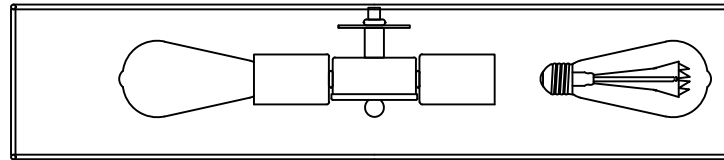
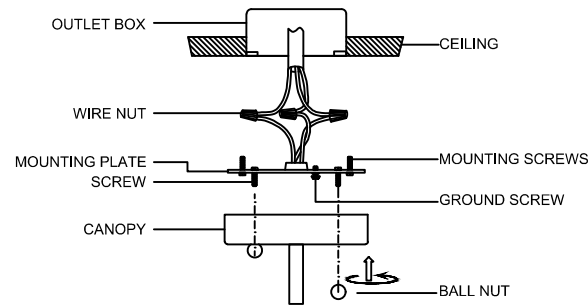


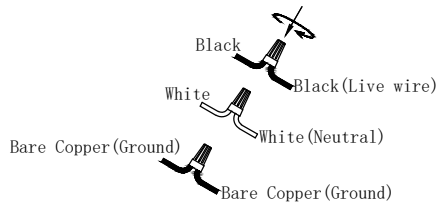
ASSEMBLY AND MOUNTING DIAGRAM

Important Safety Instructions & Warnings

Please read all instructions carefully before starting installation.
 We strongly recommend installation by a licensed electrician.
 Make sure the electricity to the wires you are working with is shut off. The fuse is removed or circuit breaker is turned off. Simply turning the power off to the light switch is not sufficient to prevent electrical shock.
 Before discarding the carton double check the packaging to make sure all parts has been found.
 This fixture was designed to be mounted to an octagon outlet box. The box must be securely mounted to the structure of the building.



OUTLET BOX WIRES



FIXTURE WIRES

Assembly Instructions



(INDOOR INSTALLATION ONLY)

Assemble lamp body as per illustration on back page.

- STEP 1 Turn off power at the circuit box to avoid possible electric shock.
- STEP 2 Feed wire through canopy, fasten canopy on lamp body.
- STEP 3 Attach mounting plate to the outlet box by using mounting screws.
- STEP 4 Connect fixture ground wire to ground wire from the wall outlet box (usually green or copper color) by using wire nut or connect both ground wires to green screw on the mounting plate and secure them together.
- STEP 5 Connect the neutral (white) fixture wire of the fixture base to neutral (usually white) outlet box wire. Fasten both wires together with a wire nut and tightly wrap the wire nut with electrical tape.
- STEP 6 Repeat the previous step with the hot (black wires) . Make sure there are no exposed wires or strands that could cause a dangerous short circuit.
- STEP 7 Attach the canopy to the outlet box, then secure it by the ball nut.
- STEP 9 Install the bulb (not included)
- STEP 10 Restore power to the circuit at breaker or fuse-box.

[BULB REQUIREMENTS] : 5 x 60W (MAX) E26 Bulb (Not Included) , compatible with LED, Incandescent.

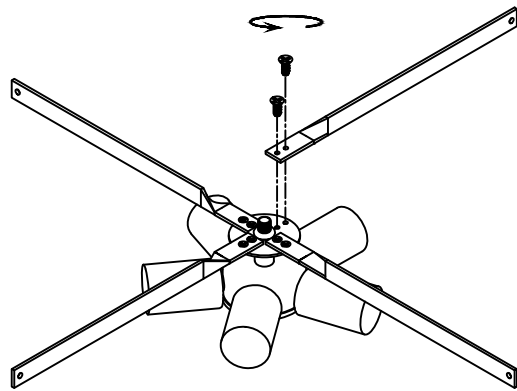
DIMMING:

This ceiling lamp is dimmable if use matched dimmable switch and bulb.

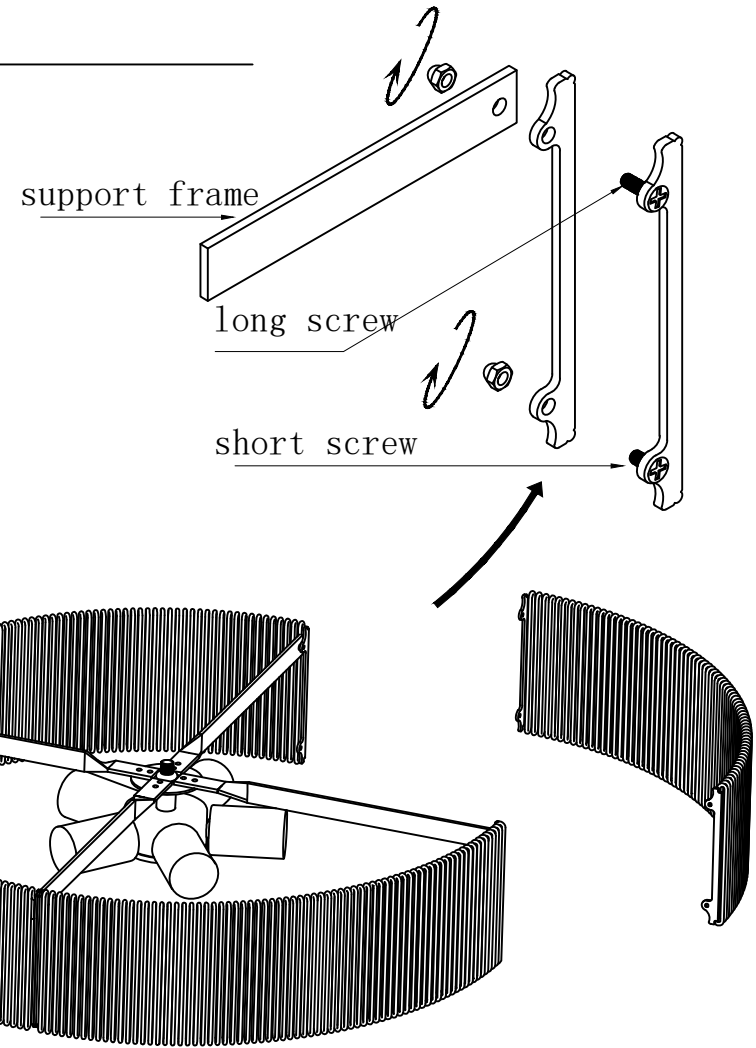
CLEANING

Please clean with a soft, dry cloth ONLY! Do not use cleaning products.

ASSEMBLY ILLUSTRATION



STEP 1



STEP 2