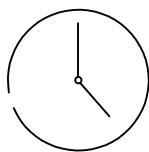
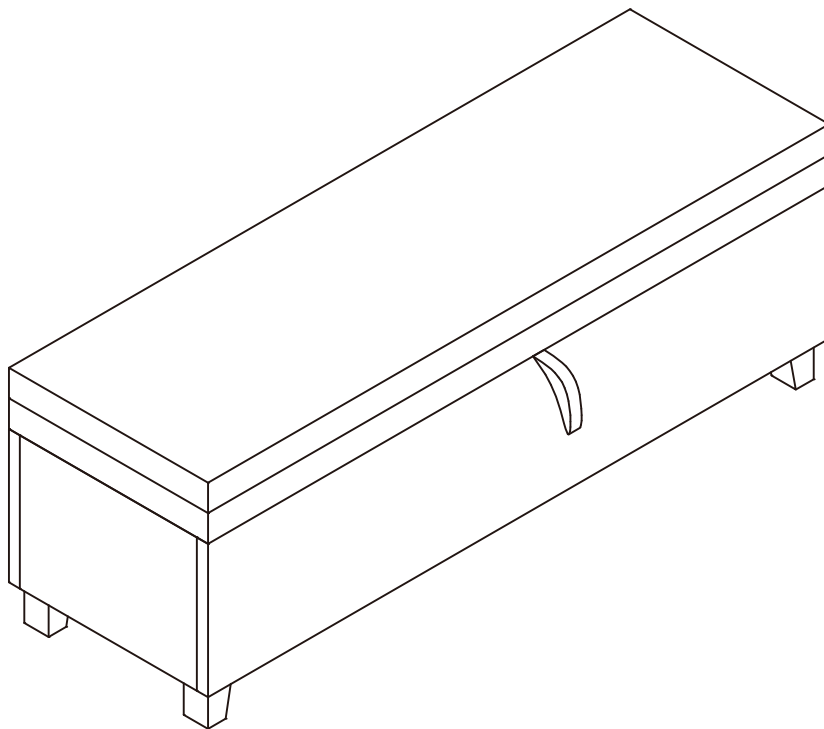
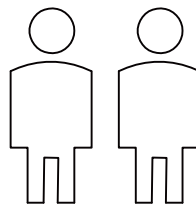


KD STORAGE BENCH



**Up to 30 minutes
approx assembly
time**



**Two person
assembly**

Safe Operation and Assembly instructions:

- Please ensure children and animals are kept away from the ottoman assembly area and packaging, small parts could choke if swallowed.
- Check you have all the components and tools listed on the following page.
- Assemble on a soft level floor to avoid damage to the ottoman and your floor.
- Place the product on a flat level and steady surface during use.
- Dispose of all packaging responsibly once the ottoman has been fully assembled. Recycle where possible.
- It is recommended to assemble the ottoman in the same room it will be used.
- Do not leave the ottoman in direct sunlight or outdoors.
- We advise that fittings should only be finger tight until the ottoman has been fully assembled. Once fully assembled, ensure the ottoman is square and proceed to fully tighten all of the fittings.
- It is recommended to check and retighten fittings on a regular basis.
- Do not drag the ottoman box to move it. Lift with two people -one at each end. Dragging the ottoman risks damage to the product and the floor.
- Keep fingers away from the ottoman lid latch.
- Do not leave children unattended around the open ottoman.
- Do not store the ottoman directly next to a radiator - leave at least 30cm distance, this could lead to the fabric discolouring.
- Remove all items from ontop of the ottoman before opening

Top Tip

We recommend that you build your new ottoman in the room you'd like it to be located. This will help prevent any risk of damage whilst moving it.

Important

Assembly Tip

Before you begin, it's best to identify all of the parts and fittings to build your ottoman. We advise laying these out on the floor to check you have everything, and to familiarise yourself with all of the parts and fittings before building.

Safety and Care

It's important to ensure children and animals are kept away from the assembly area, as there are small components used in this product which could present a choking hazard. All plastic and wrapping materials should also be kept away from children and animals to prevent any risk of suffocation.

Help and Support

Please contact our customer service team on 0113 519 0311 if you have any questions or issues with your purchase.

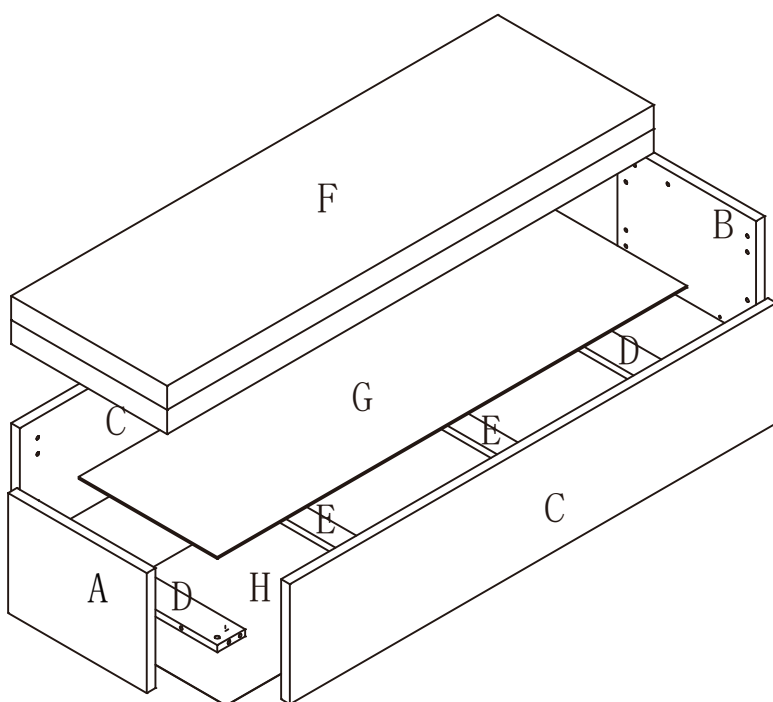
Recycling

Please ensure that packaging is disposed of in a safe and environmentally friendly way, and recycle where possible. Please keep your assembly instructions safe to refer back to in the future

Parts

Before you begin building your ottoman, please take a moment to read through the instructions and make sure that you have all the relevant parts listed on the parts check list.

Piece	Description	Qty
A	Left side panel	1 pc
B	Right side panel	1 pc
C	Front/back panels	2 pcs
D	Side support bars	2 pcs
E	Center support bars	2 pcs
F	Top panel/ box lid	1 pc
G	Internal floor panel	1 pc
H	Nonwoven fabric	1 pc

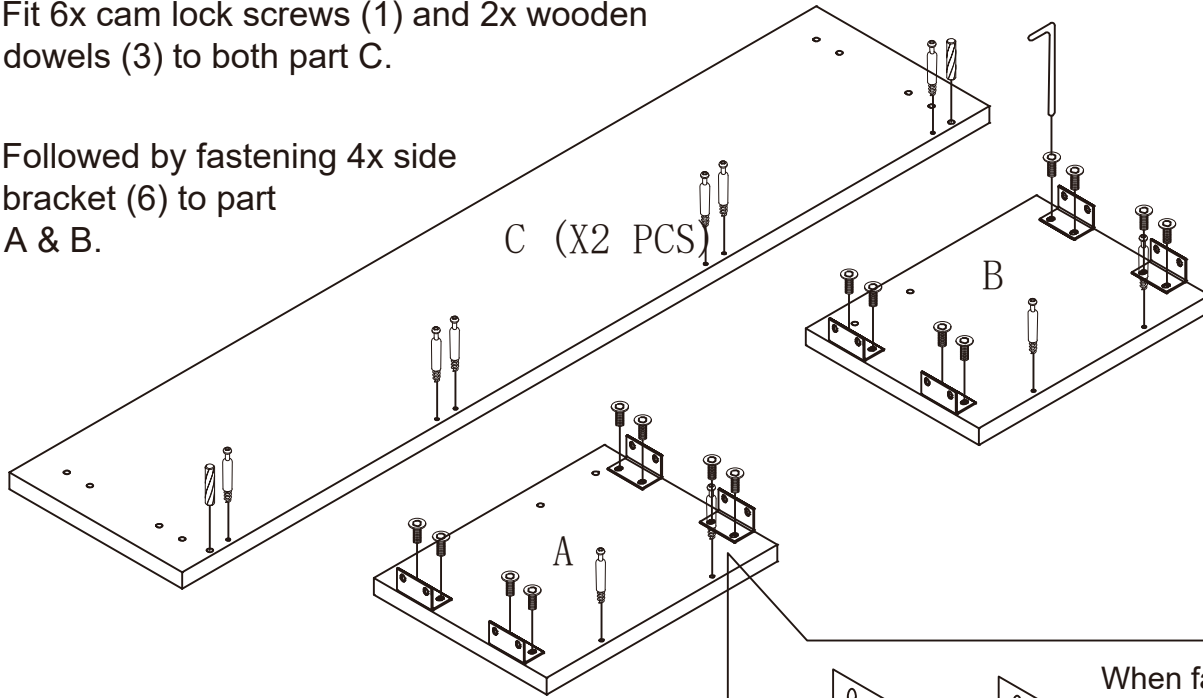


① Cam lock screw - 16 pcs	② Cam lock - 16 pcs	③ Wooden dowel - 4 PCS	④ Feet - 4pcs
⑤ side bracket - 8pcs	⑥ spring lift mechanism - 2pcs	⑦ M6x20mm bolt - 36pcs	⑧ M8x20mm bolt - 4pcs
⑨ M6 allen key - 1pc	⑩ M8 allen key - 1pc	⑪ M8x60mm bolt - 4pcs	⑫ Felt - 4pcs

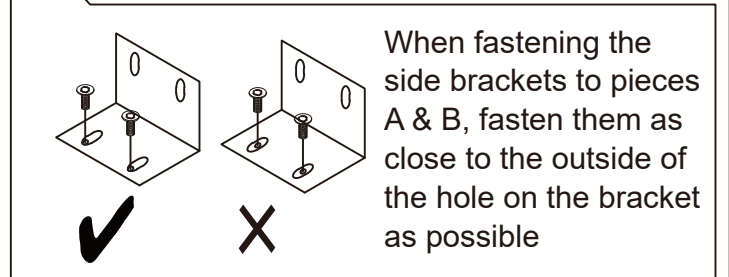
Step 1:

Fit 6x cam lock screws (1) and 2x wooden dowels (3) to both part C.

Followed by fastening 4x side bracket (6) to part A & B.



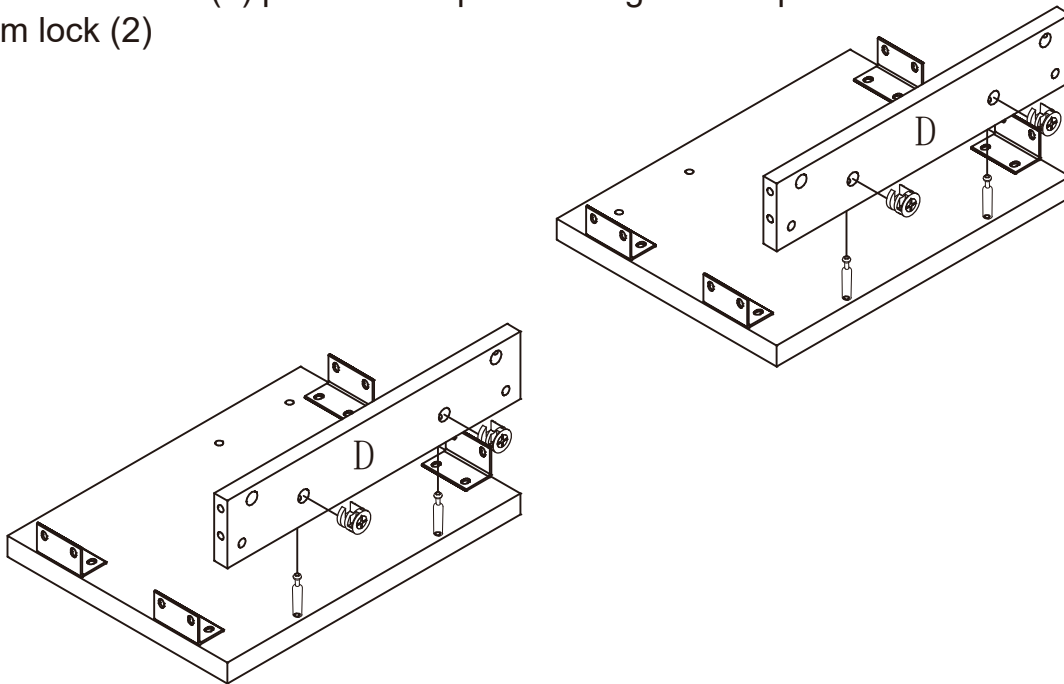
- ① 16 PCS
- ③ 4 PCS
- ⑤ 4 PCS
- ⑦ 6*20 16 PCS
- ⑨ M6 1 PCS



Step 2:

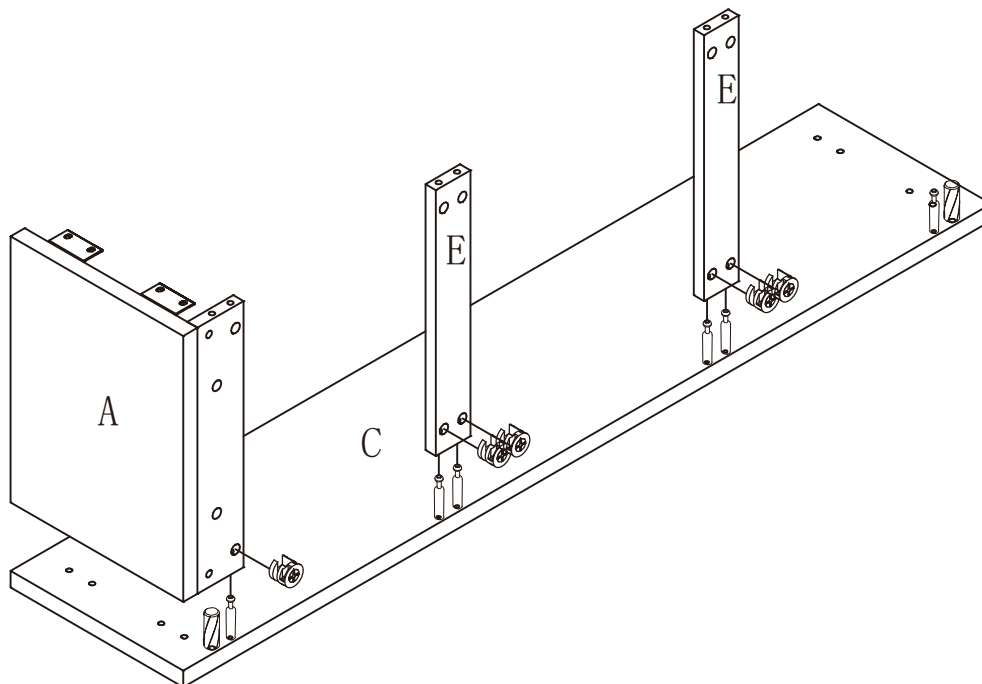
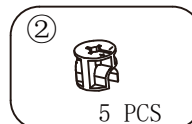
Attach the side support bars (D) to the side panels A & B using the cam lock screw (1) placed in step 1. Locking them in place with 4x cam lock (2)

- ② 4 PCS



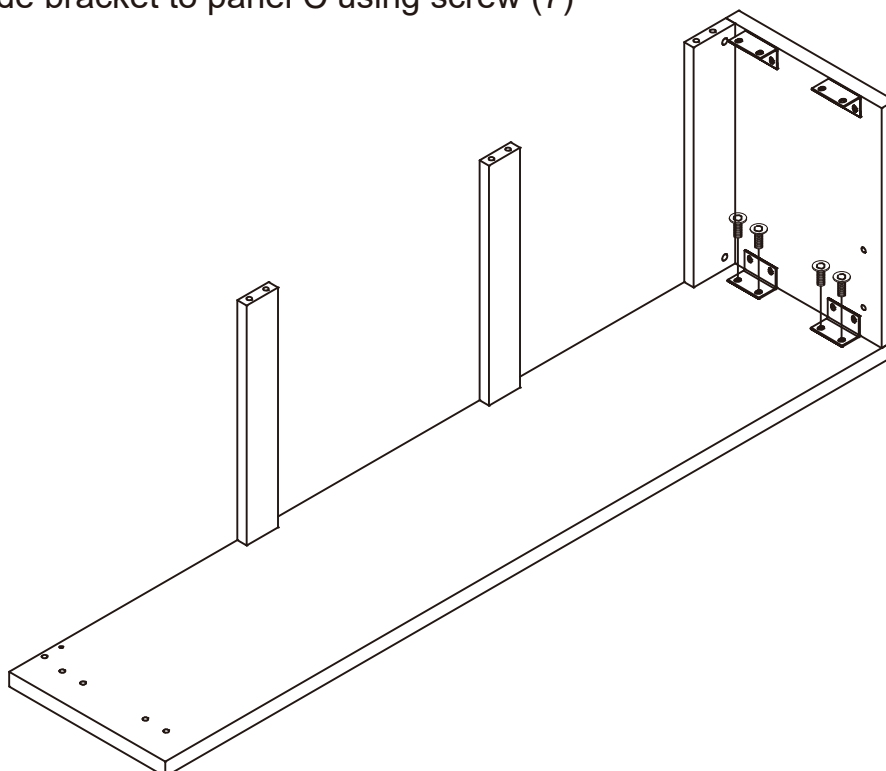
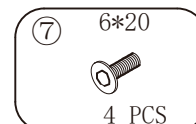
Step 3:

Attach the side panel (A) and center support bars (E) to front/rear panel (C), fastening them with 5x cam lock (2).



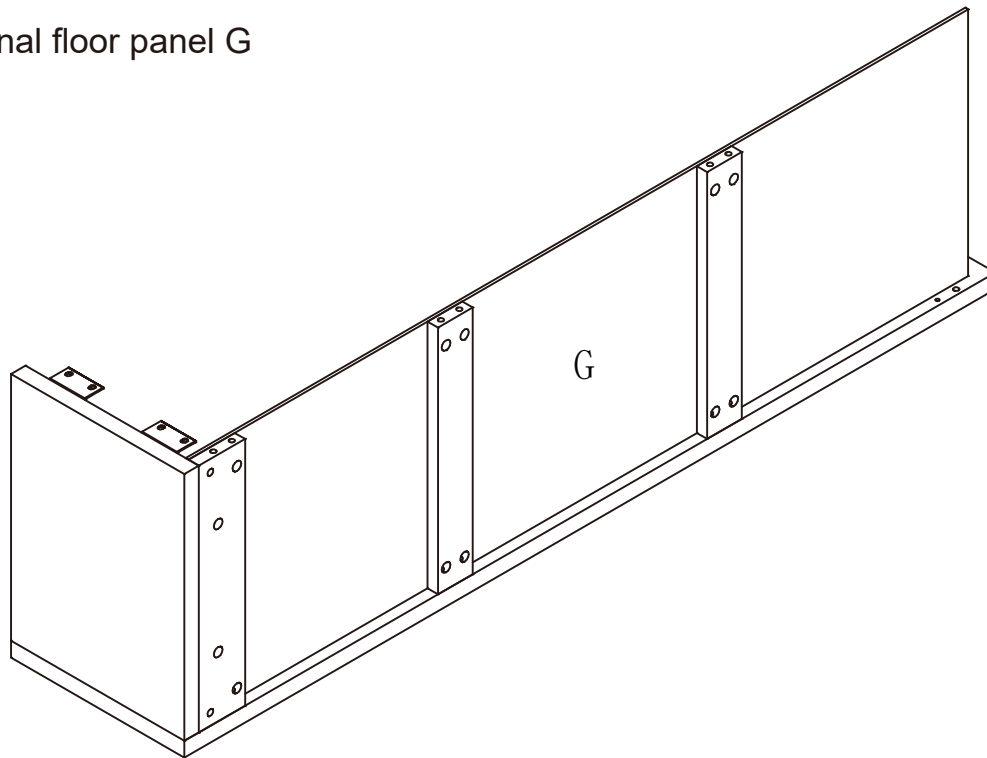
Step 4:

Fasten the side bracket to panel C using screw (7)



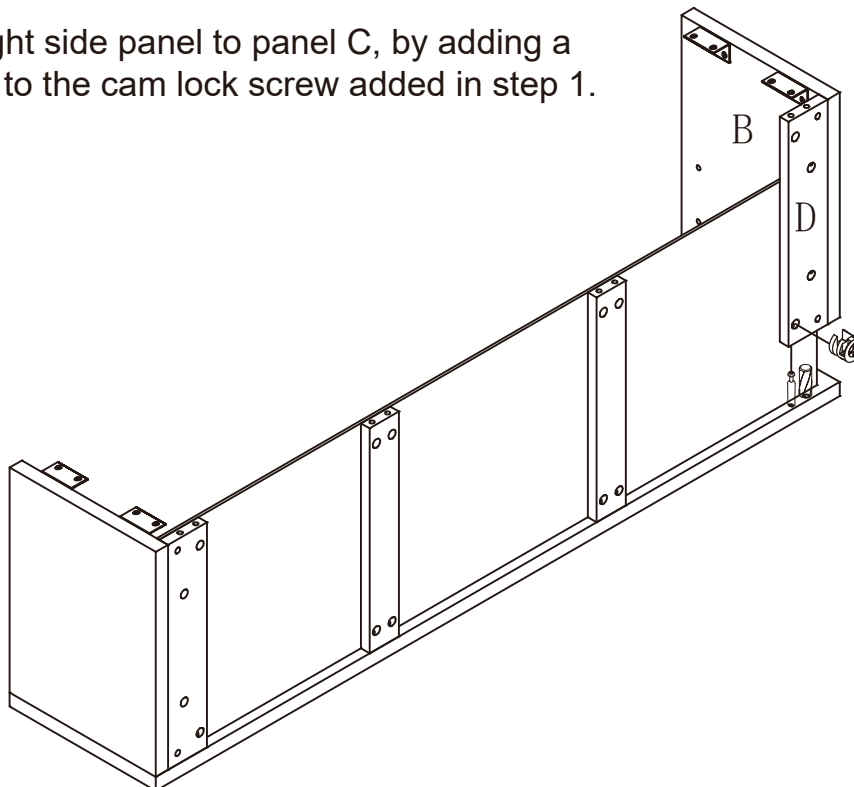
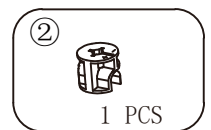
Step 5:

Add the internal floor panel G



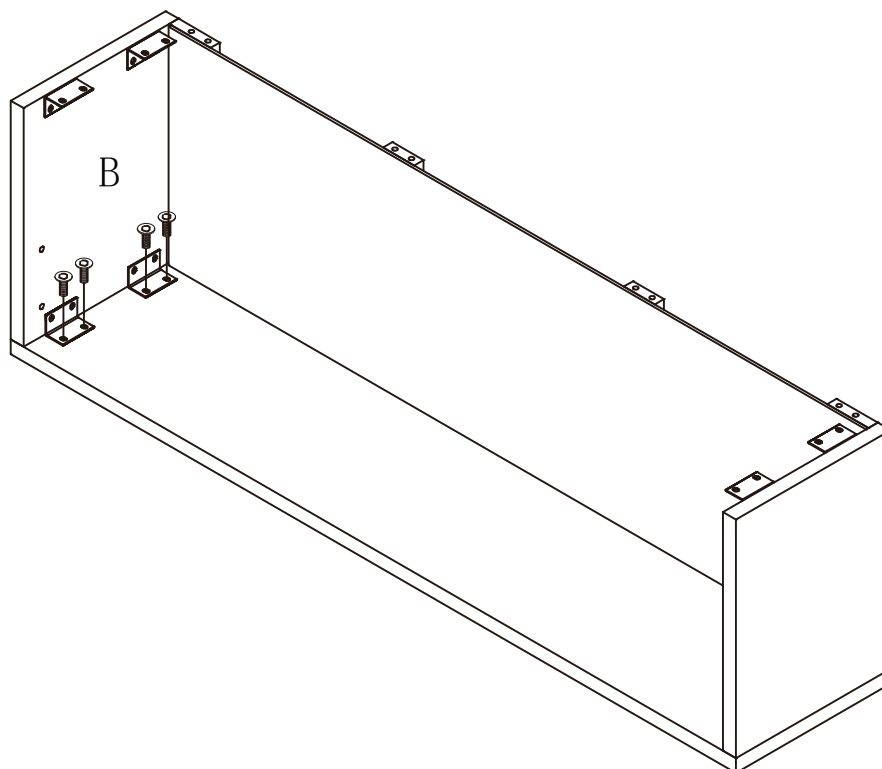
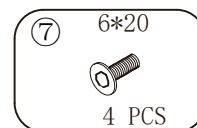
Step 6:

Attach right side panel to panel C, by adding a cam lock to the cam lock screw added in step 1.



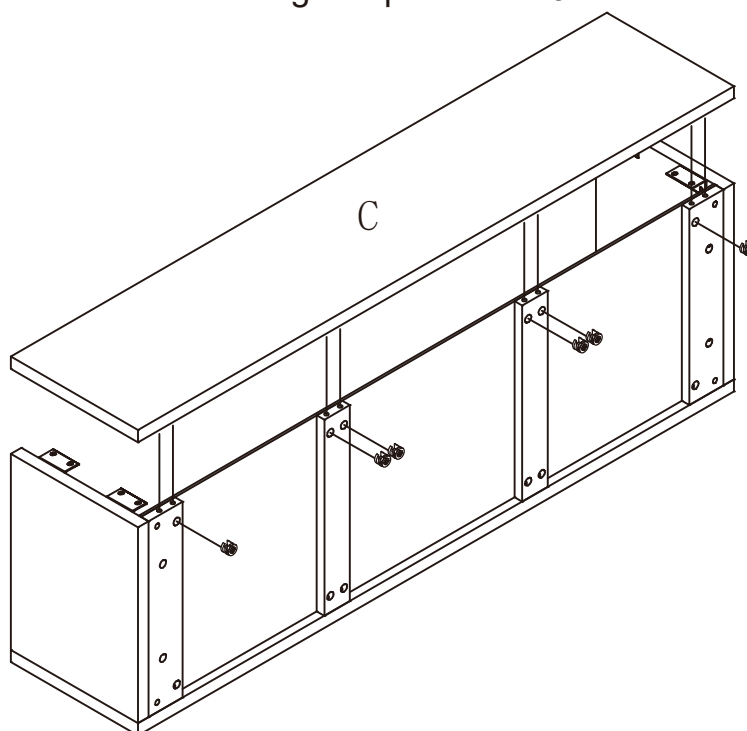
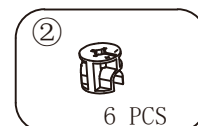
Step 7:

Fasten the side bracket (6) to panel C using screw (7)



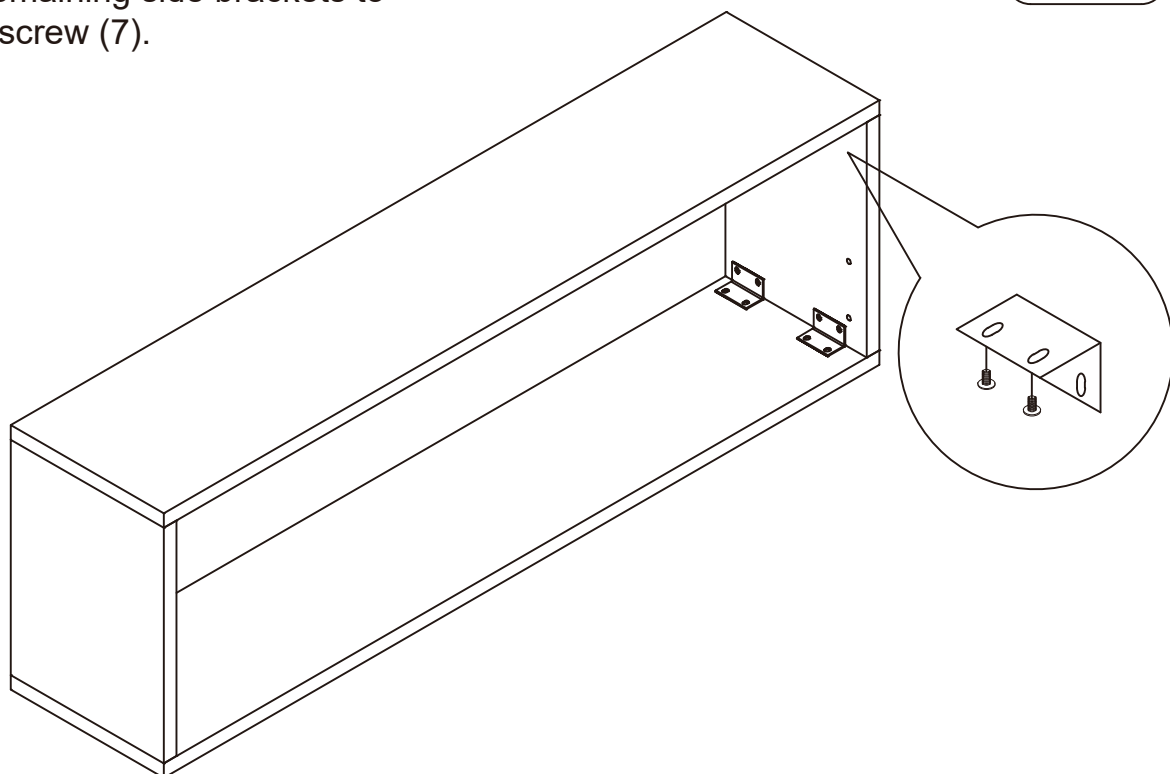
Step 8:

Attach panel C to the ottoman locking it in place with 6x cam lock (2).



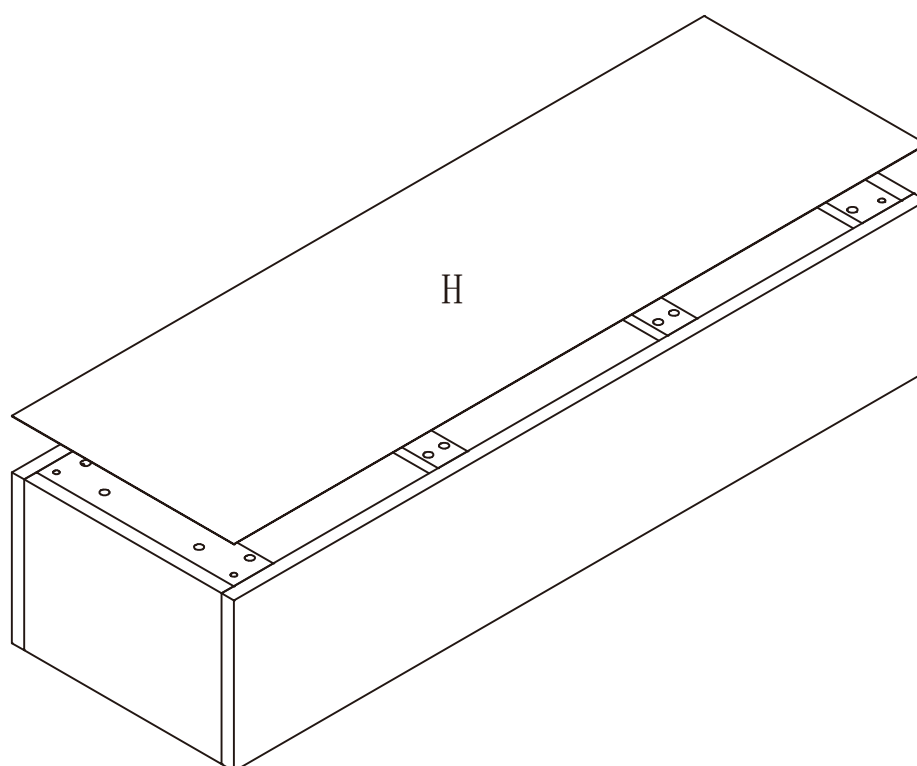
Step 9:

Fasten the 4 remaining side brackets to panel C using screw (7).



Step 10:

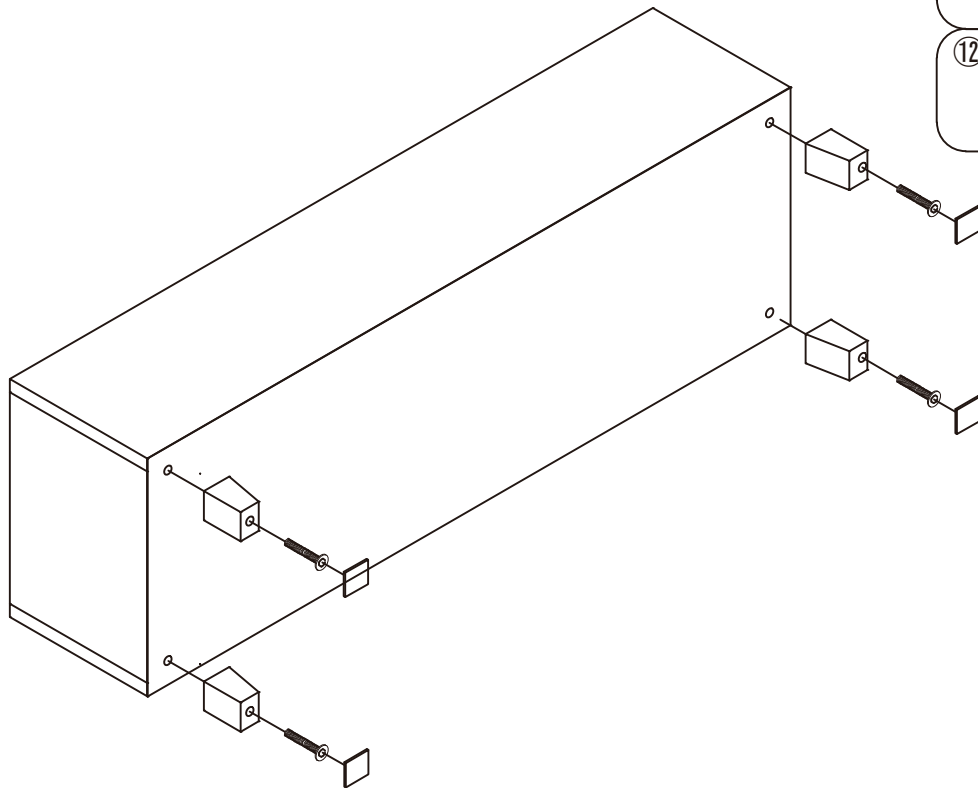
Attach the non-woven fabric (H) to the bottom of the ottoman storage box. Secure it in place with the Velcro.



Step 11:

Fasten the feet to the bottom using screw (11) followed by attaching the felt tips(12) to the bottom of the feet.

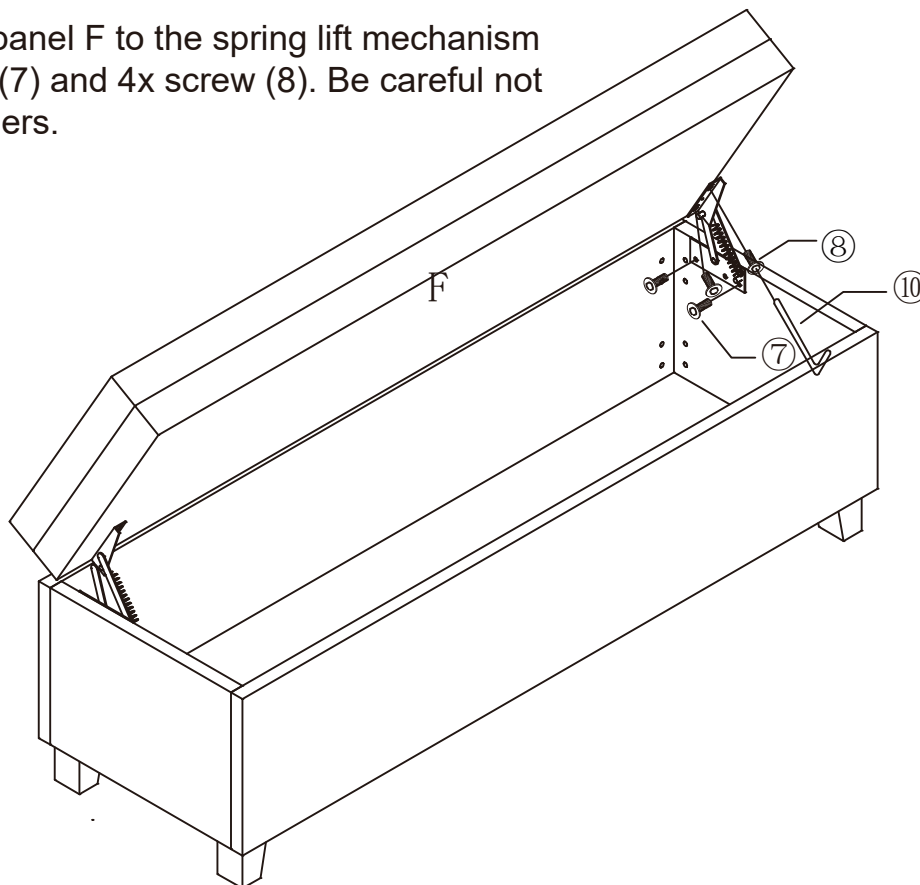
- ④ 4 PCS
- ⑪ 8*60
4 PCS
- ⑫ 4 PCS



Step 12:

Fasten the top panel F to the spring lift mechanism using 4x screw (7) and 4x screw (8). Be careful not to trap your fingers.

- ⑥ 1 PCS
- ⑦ 6*20
4 PCS
- ⑧ 8*20
4 PCS
- ⑩ M8
1 PCS



Care and Maintenance

Here are some good tips to keep your new ottoman in tip-top condition.

Cleaning:

To clean your new ottoman, we advise using a damp cloth if the fabric is dusty or a low suction vacuum. Do not use abrasive chemicals or bleach as this may damage the product.

Checking and moving:

Periodically, we recommend you check that the screws and fixtures haven't become loose over time. To move your ottoman, we recommend lifting it where possible, as dragging or pushing it could cause damage to the legs or flooring.

Fabric:

Please note, depending on the lighting, positioning and surroundings of your room, the shade of the fabric will appear differently. Over a period of time, the fabric may also lighten or fade slightly due to light exposure.