

ASSEMBLY INSTRUCTIONS



WRITING DESK

ASSEMBLY INSTRUCTIONS

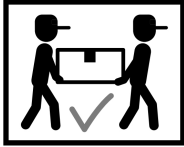
ASSEMBLY TIPS:

1. Remove hardware from box and sort by size.
2. Please check to see that all hardware and parts are present prior to start of assembly.
3. Please follow attached instructions in the same sequence as numbered to assure fast & easy assembly.



WARNING!

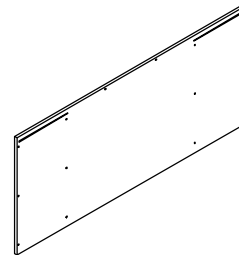
1. Don't attempt to repair or modify parts that are broken or defective. Please contact the store immediately.
2. This product is for home use only and not intended for commercial establishments.



ASSEMBLY TIME 60 MINUTES

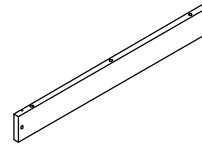
PARTS IDENTIFICATION

A BOTTOM PANEL



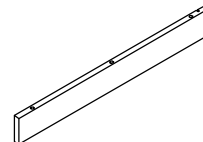
1PC

B LEFT PANEL



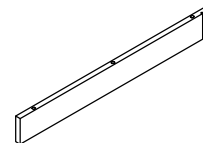
1PC

C LEFT MIDDLE PANEL



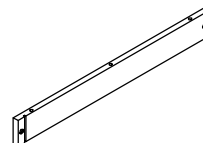
1PC

D RIGHT MIDDLE PANEL



1PC

E RIGHT PANEL

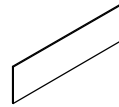


1PC

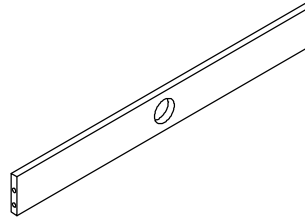
ASSEMBLY INSTRUCTIONS

PARTS IDENTIFICATION

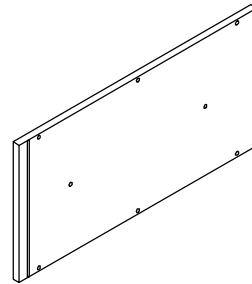
F SMALL BACK PANEL 2PCS



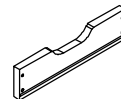
G LARGE BACK PANEL 1PC



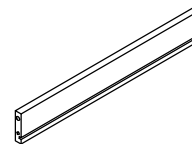
H TOP PANEL 2PCS



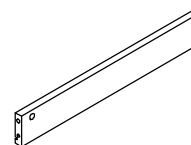
I DRAWER FRONT PANEL 2PCS



J DRAWER LEFT PANEL 2PCS



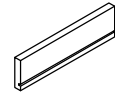
K DRAWER RIGHT PANEL 2PCS



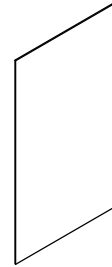
ASSEMBLY INSTRUCTIONS

PARTS IDENTIFICATION

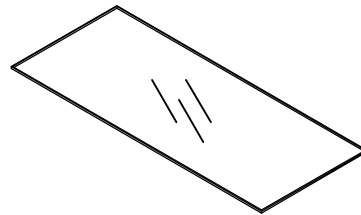
L DRAWER BACK PANEL 2PCS



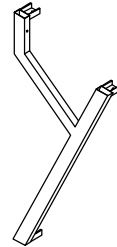
M DRAWER BOTTOM PANEL 2PCS



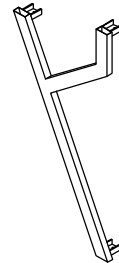
N GLASS 1PC



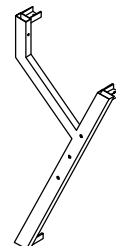
O LEFT FRONT LEG 1PC



P RIGHT FRONT LEG 1PC



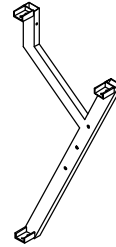
Q RIGHT BACK LEG 1PC



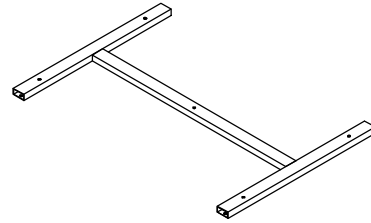
ASSEMBLY INSTRUCTIONS

PARTS IDENTIFICATION

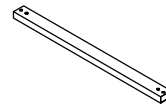
R LEFT BACK LEG 1PC



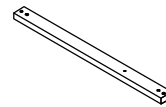
S CONNECTING FRAME 1PC



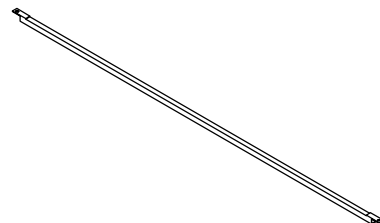
T TOP CROSSBAR 2PCS



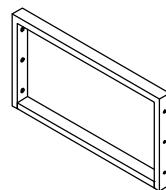
U SHORT BOTTOM CROSSBAR 2PCS



V LONG BOTTOM CROSSBAR 1PC



A1 SUPPORT FRAME 2PCS



ASSEMBLY INSTRUCTIONS














PARTS IDENTIFICATION

A2 GROMMET



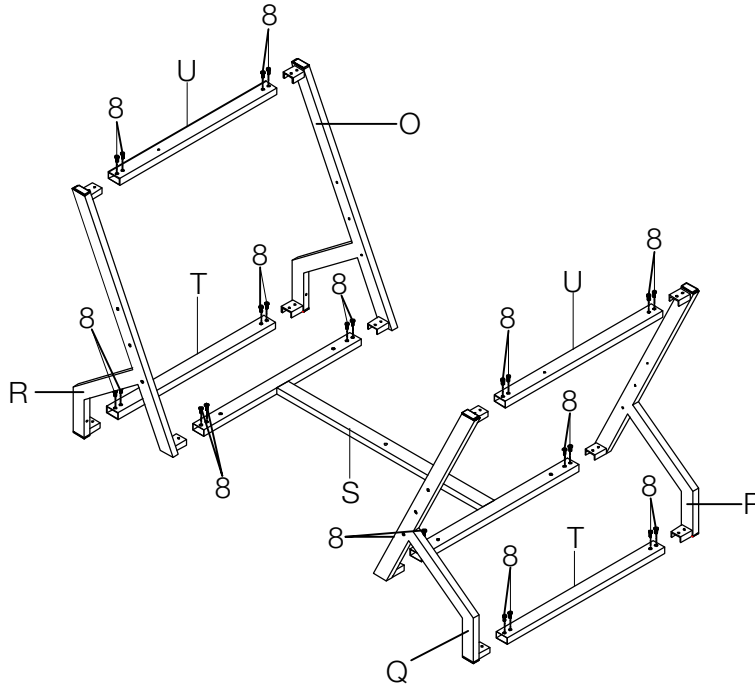
1PC

HARDWARE IDENTIFICATION

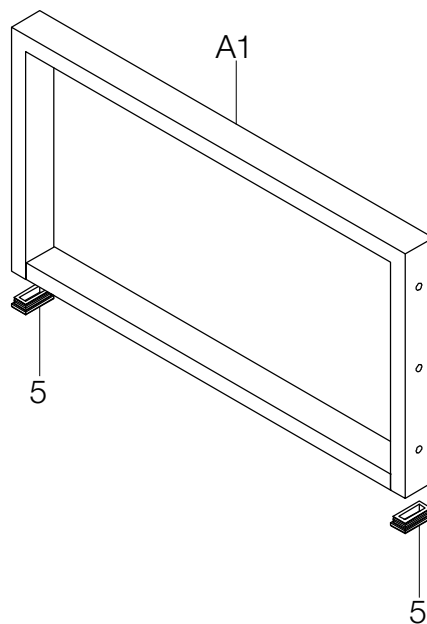
| | | | | | | | |
|---|---------------------------------|---|-------|----|--------------------------------|---|-------|
| 1 | SMALL WOOD DOWEL (6 x 30mm) |  | 4PCS | 8 | SHORT BOLT (1/4" x 12mm SR) |  | 26PCS |
| 2 | LARGE WOOD DOWEL (8 x 30mm) |  | 18PCS | 9 | BOLT (1/4" x 32mm SR) |  | 12PCS |
| 3 | CAM BOLT (38mm) |  | 4PCS | 10 | LONG SCREW (4 x 38mm) |  | 22PCS |
| 4 | CAM-LOCK (ϕ 15mm) |  | 4PCS | 11 | SUCTION CUP |  | 8PCS |
| 5 | CAP (20 x 40mm SR) |  | 4PCS | 12 | GLUE |  | 1PC |
| 6 | LONG BOLT (1/4" x 28mm SR) |  | 5PCS | 13 | ALLEN WRENCH (4mm) |  | 1PC |
| 7 | MEDIUM BOLT (1/4" x 25mm SR) |  | 4PCS | | | | |

ASSEMBLY INSTRUCTIONS

STEP 1 Do not tighten until each step is completed or instructed.

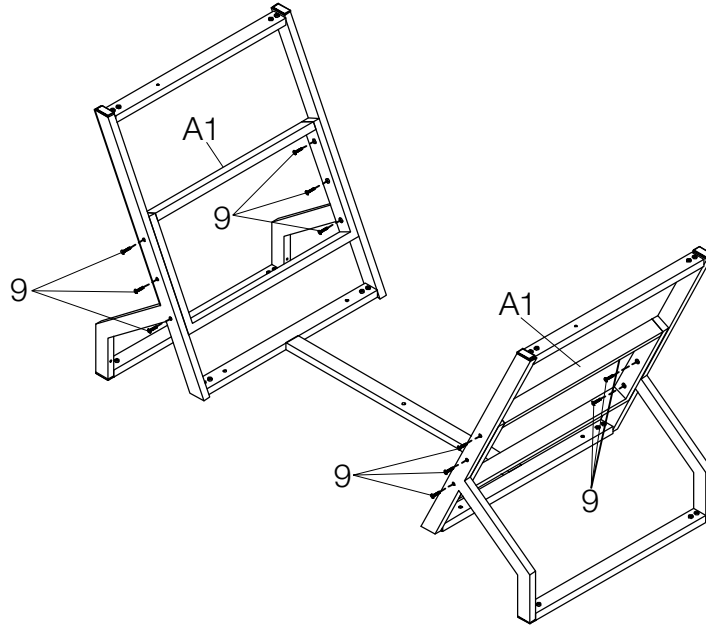


STEP 2

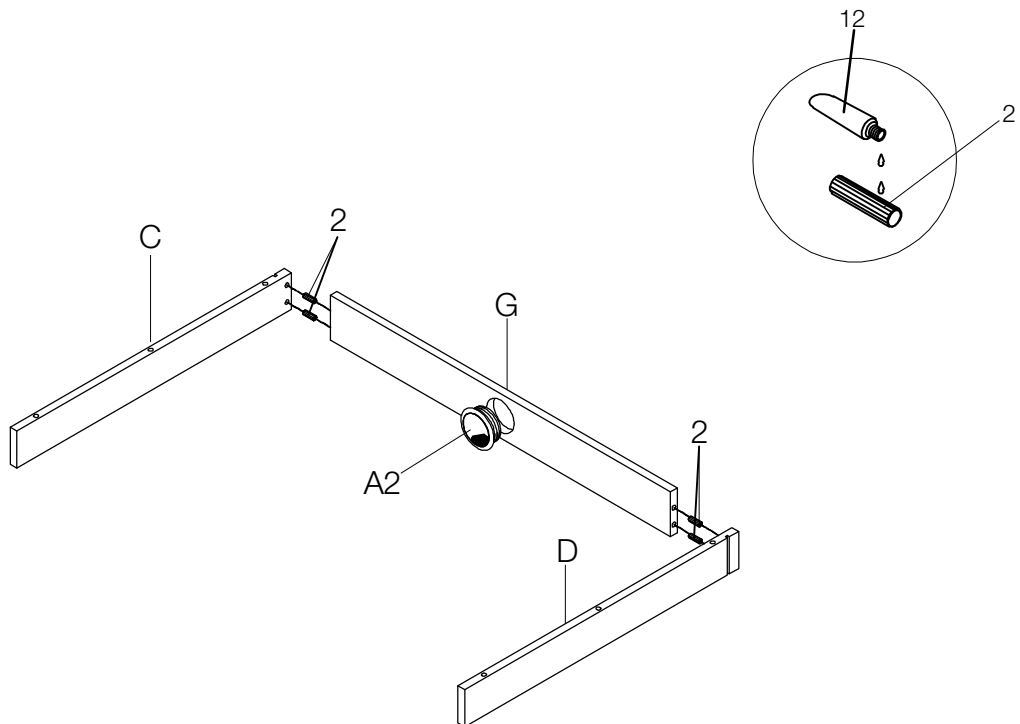


ASSEMBLY INSTRUCTIONS

STEP 3

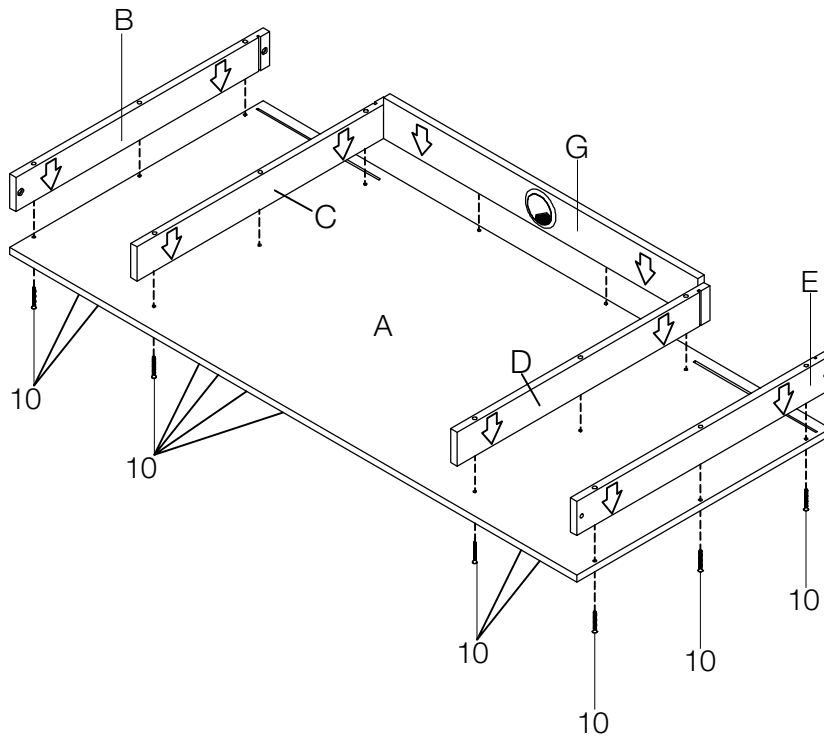


STEP 4

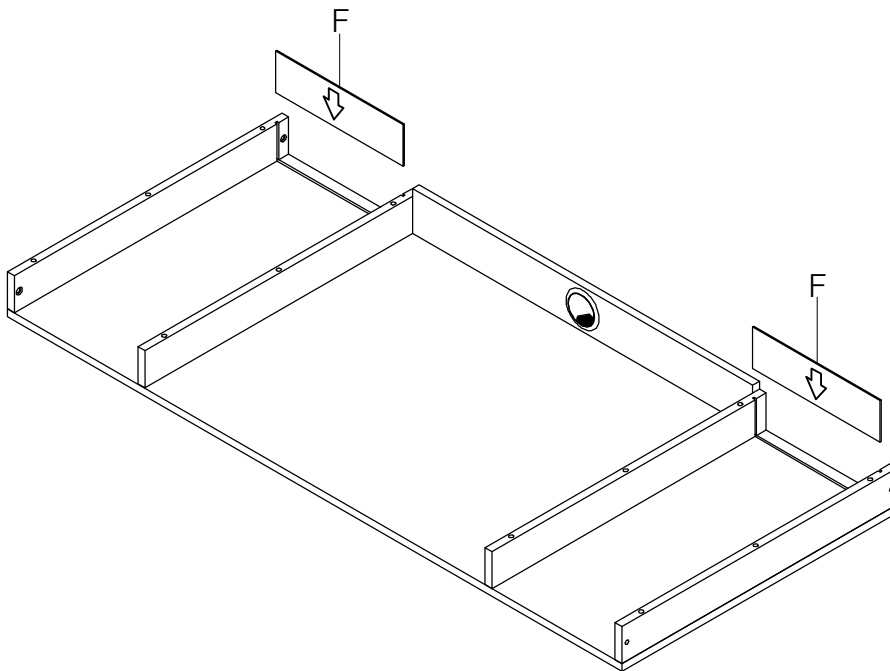


ASSEMBLY INSTRUCTIONS

STEP 5

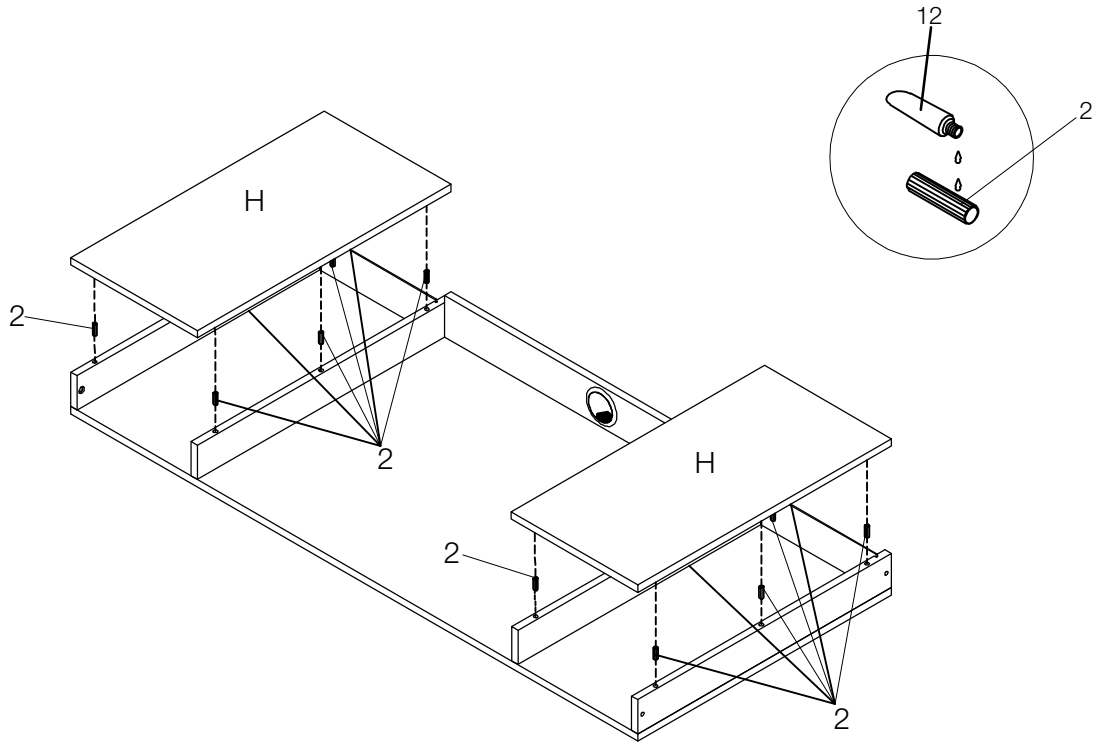


STEP 6

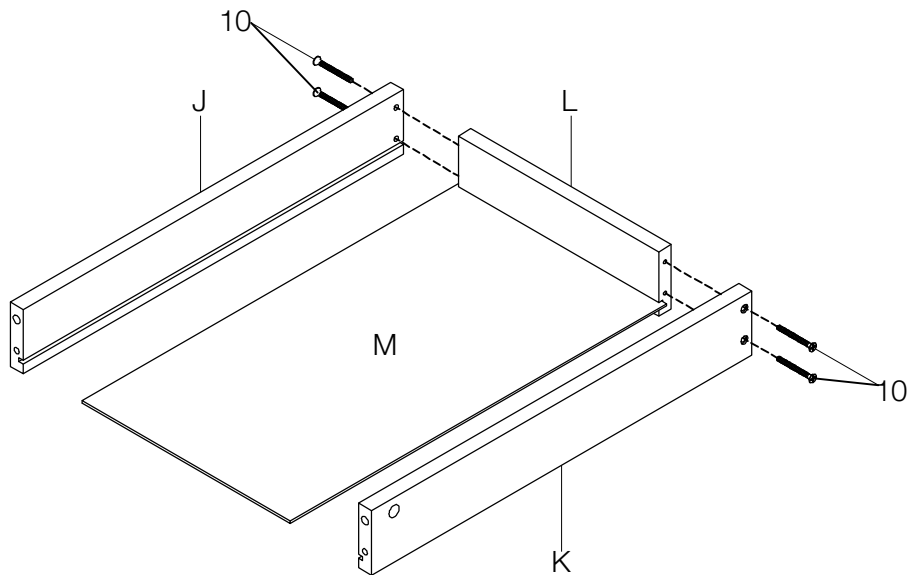


ASSEMBLY INSTRUCTIONS

STEP 7

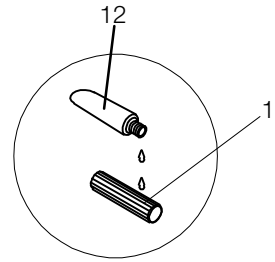
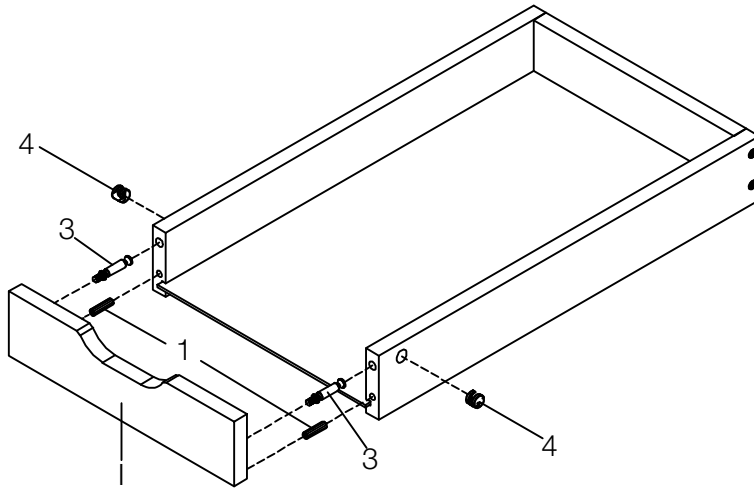


STEP 8

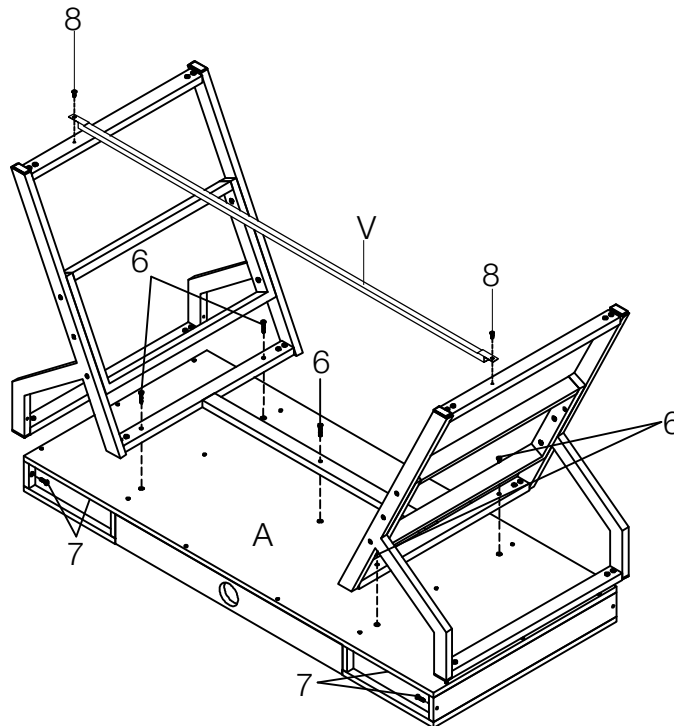


ASSEMBLY INSTRUCTIONS

STEP 9

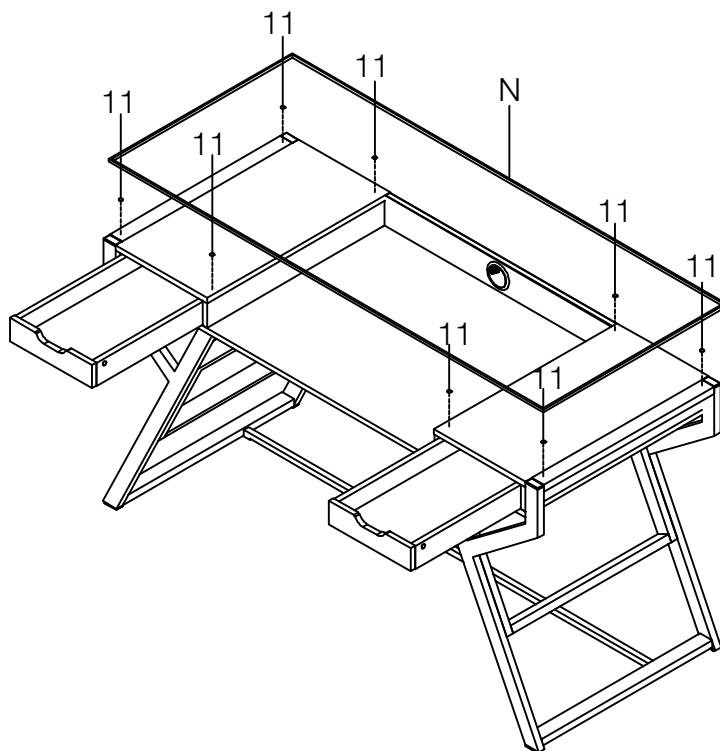


STEP 10

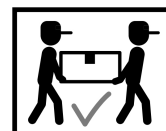
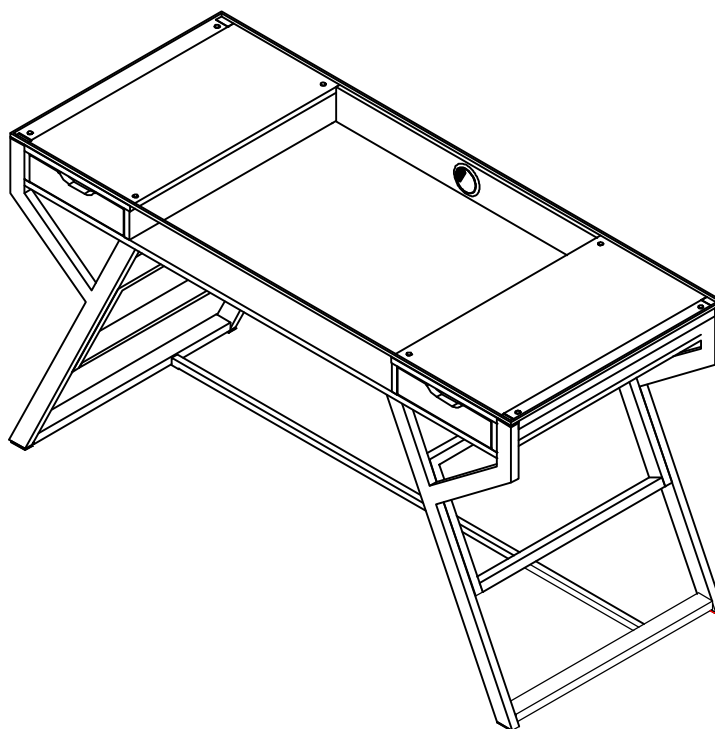


ASSEMBLY INSTRUCTIONS

STEP 11



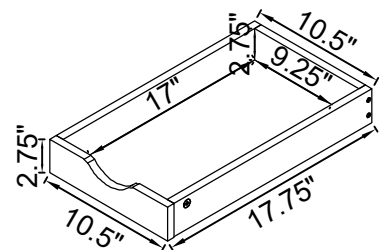
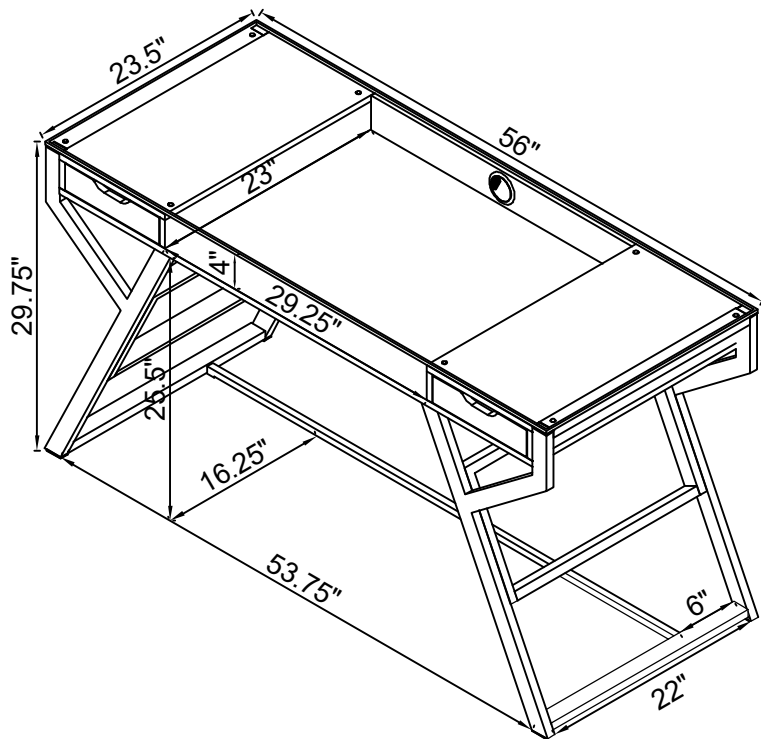
STEP 12 COMPLETE



ASSEMBLY INSTRUCTIONS

Product Size : 1422 X 597 X 756 H (MM)

Product Size : 56" X 23.5" X 29.75"



Note : Dimension tolerance $\pm 5\%$