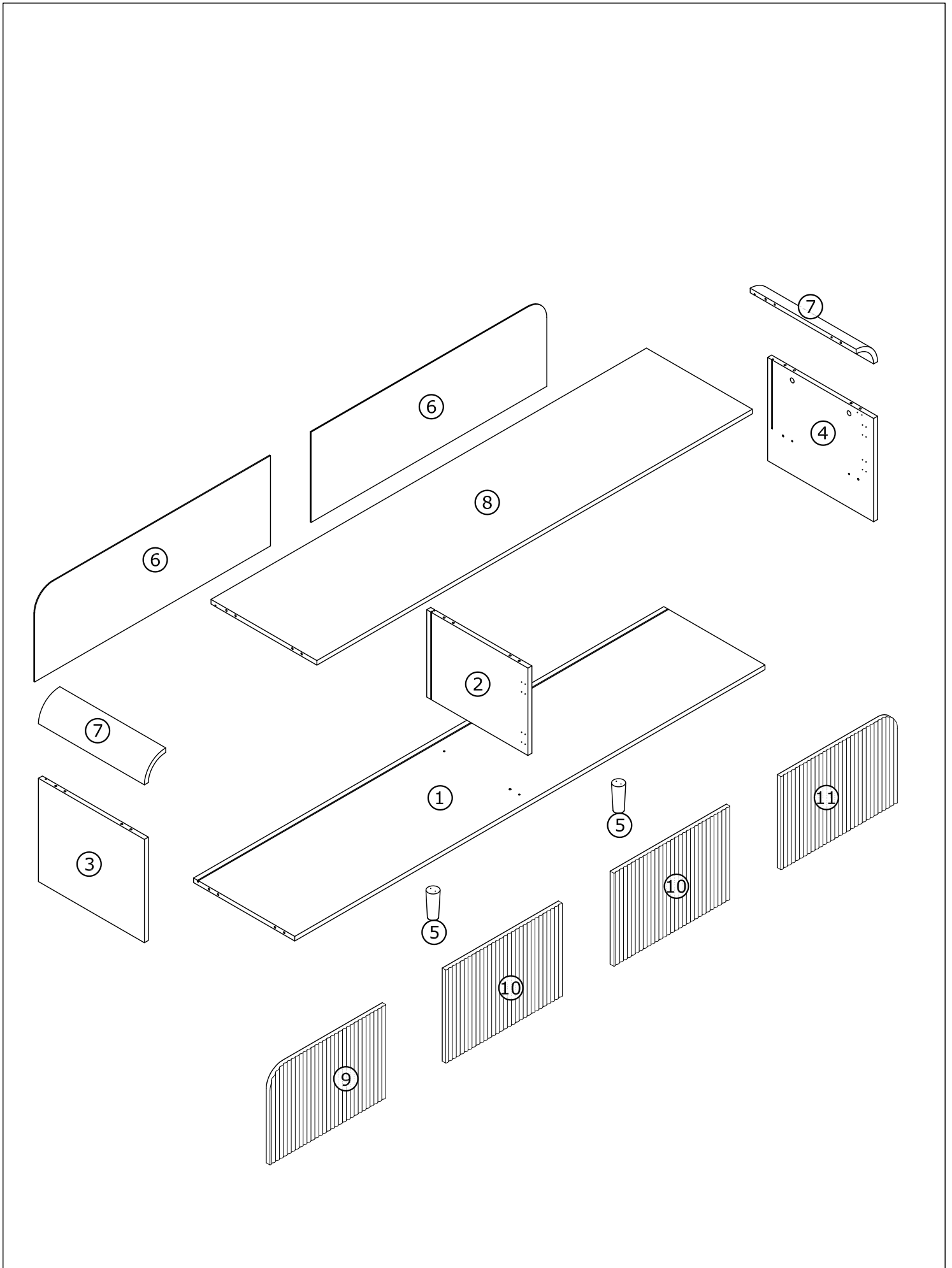
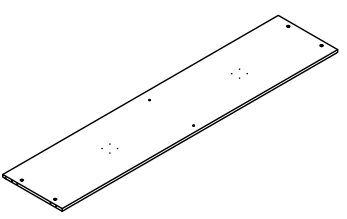
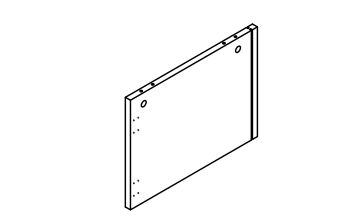
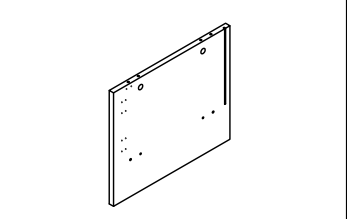
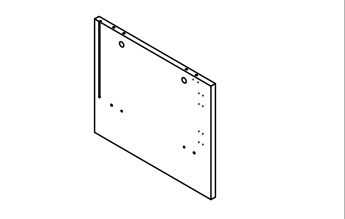
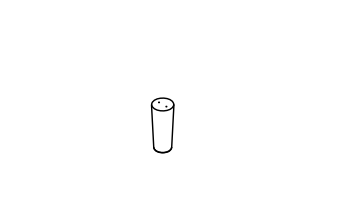
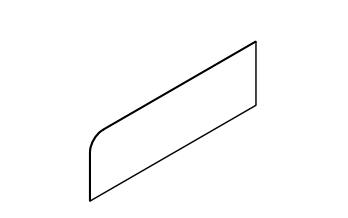
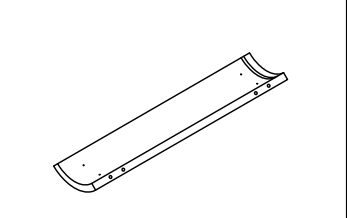
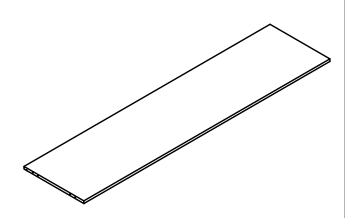
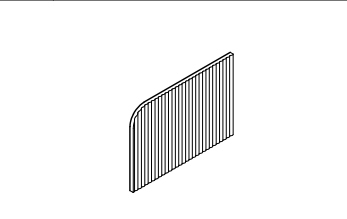
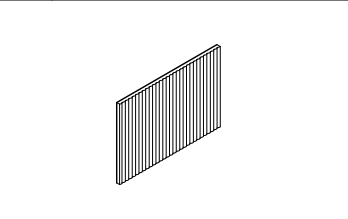
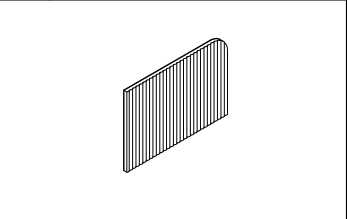


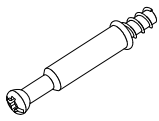
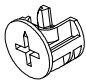
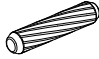

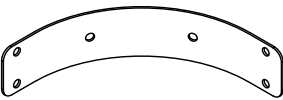
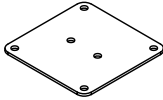
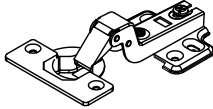
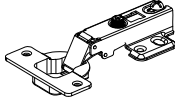
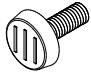


Installation instruction



Parts and Operation Elements

			
① 1pc	② 1pc	③ 1pc	④ 1pc
			
⑤ 2pcs	⑥ 2pcs	⑦ 2pcs	⑧ 1pc
			
⑨ 1pc	⑩ 2pcs	⑪ 1pc	

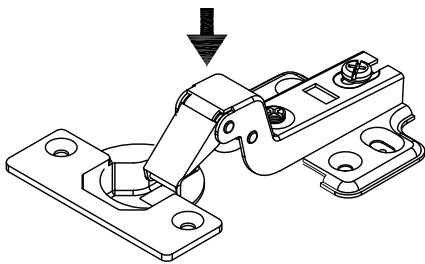
Hardware

							
A	14pcs	B	14pcs	C	16pcs	D	6pcs
							
E	4pcs	F	2pcs	G	4pcs	H	4pcs
							
I	2pcs	J	32pcs	K	48pcs		

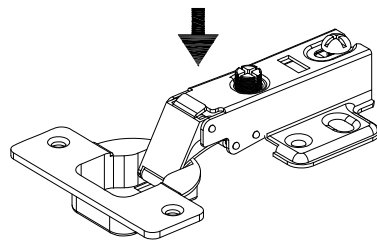


Pay attention to the difference between the middle parts of the two types of door hinges.

- The curved door hinges(G) are used on the outermost door plates
- And the straight door hinges(H) are used on the door panel in the middle of the cabinet



G

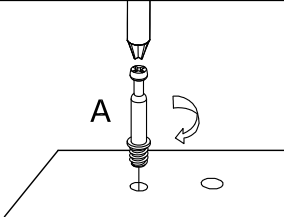
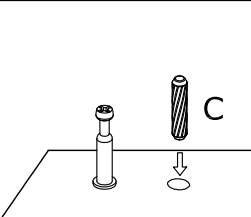
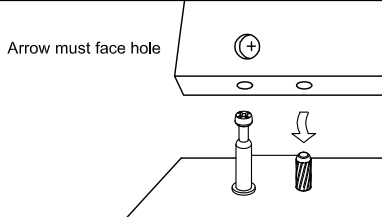
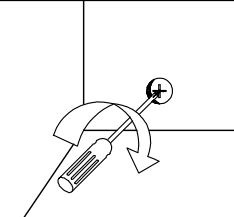


H

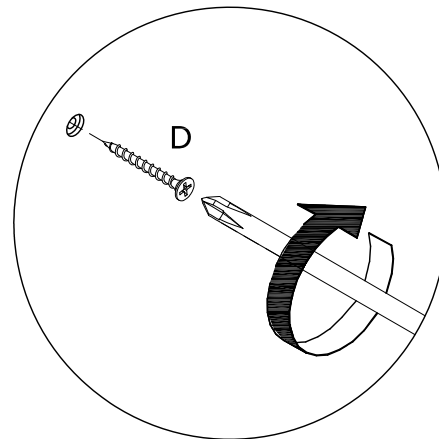
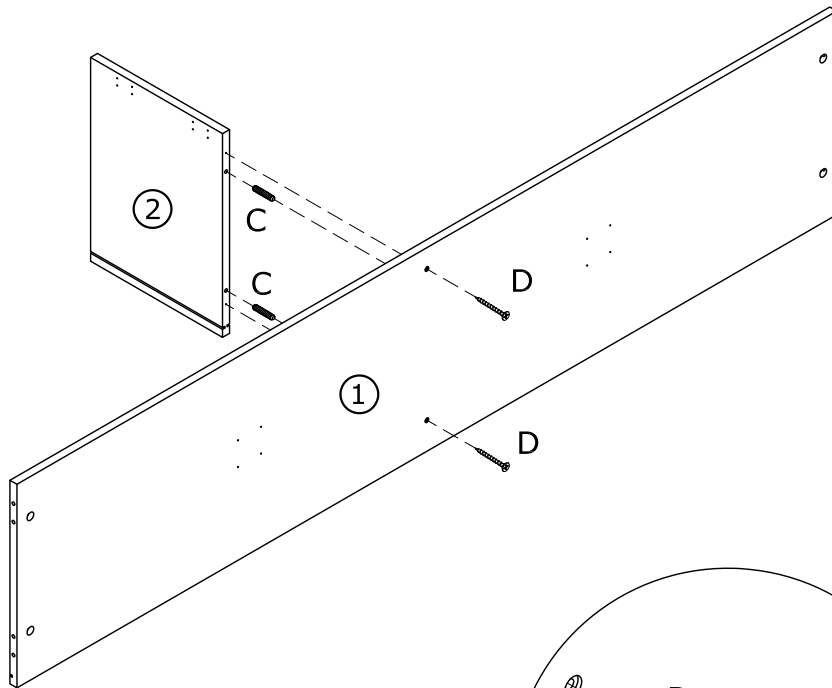
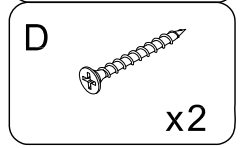
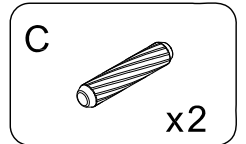


SPARE BAG

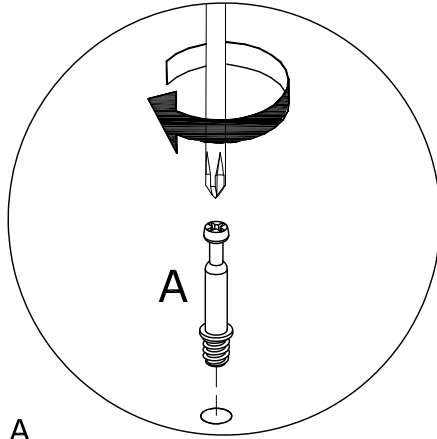
THE SPARE BAG INCLUDED EXTRA HARDWARE FOR DAMAGED OR MISSING SMALL HARDWARE WHILE YOU ARE ASSEMBLING



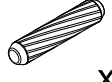
			
Gently screw cam bolt into the threaded anchor	Insert the wood dowel halfway into hole	Arrow must face hole	Screw the camlock firmly into locked position.

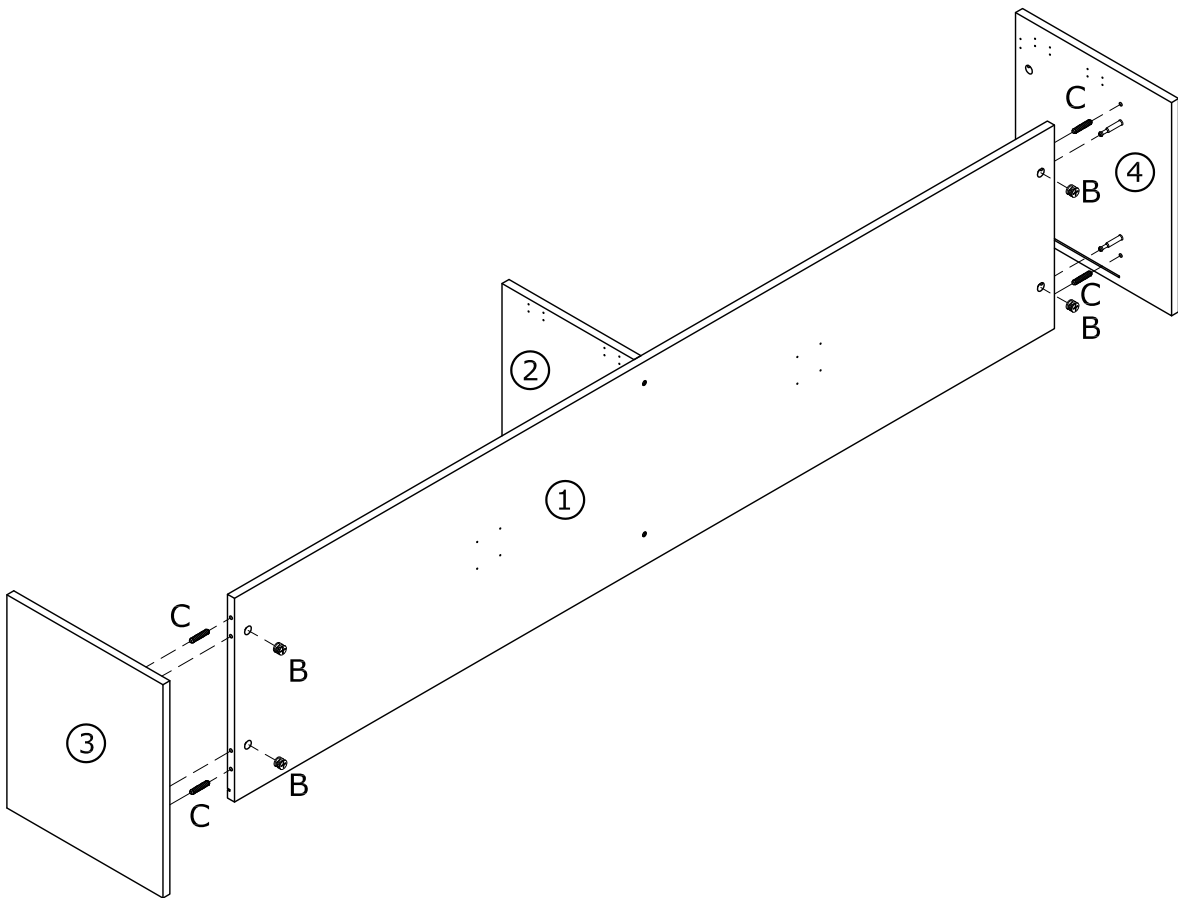
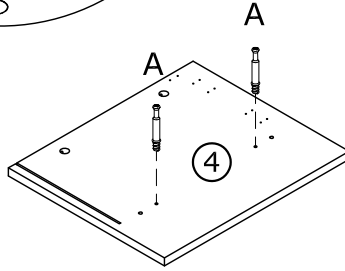
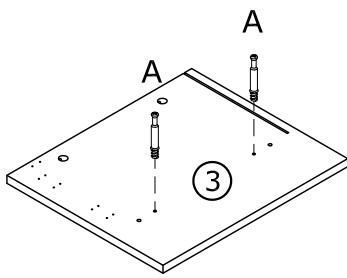
1



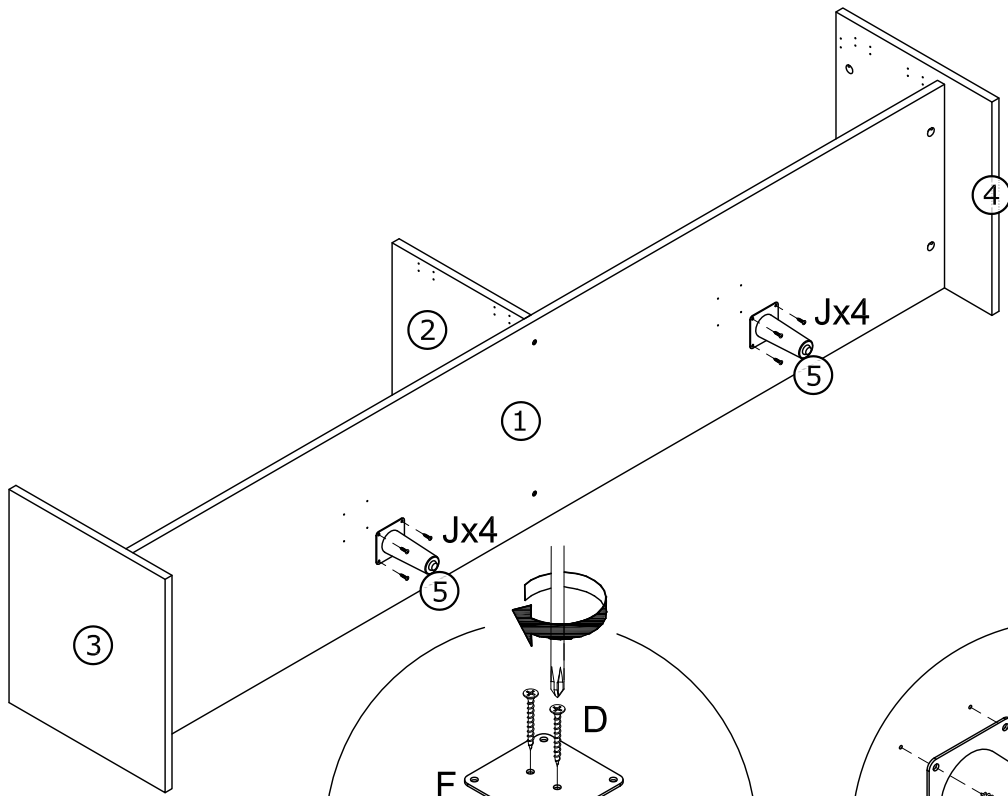
2


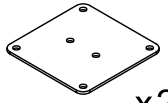




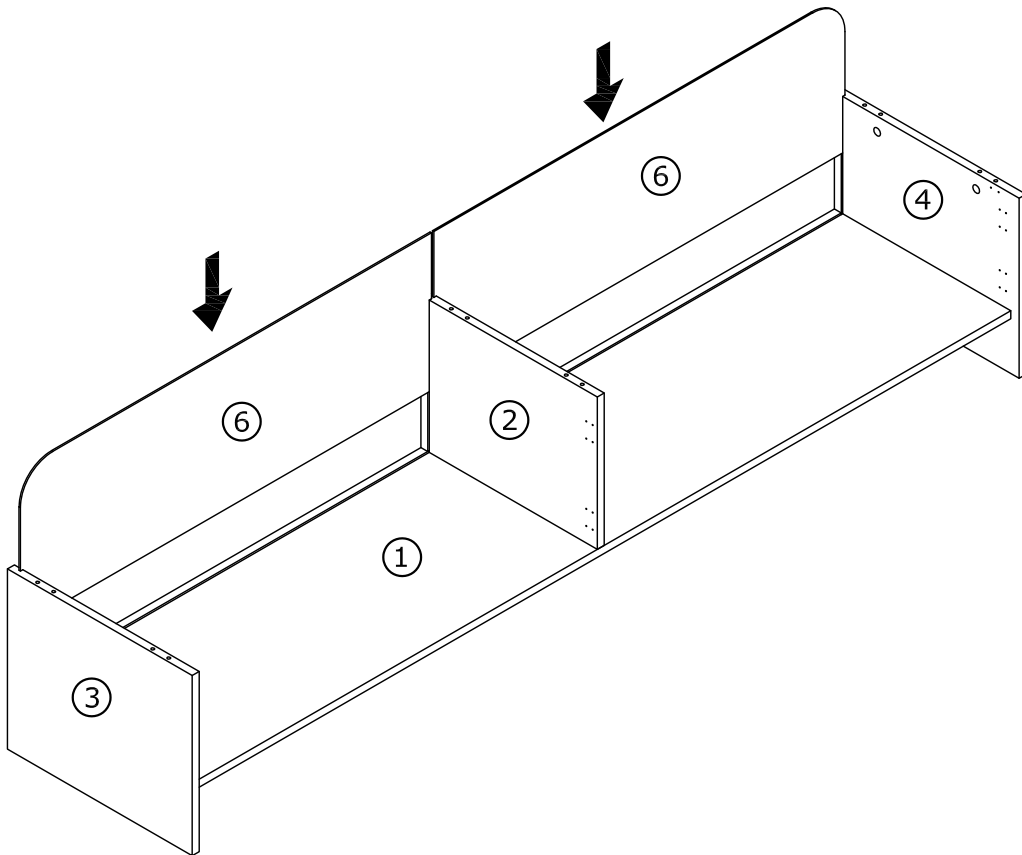
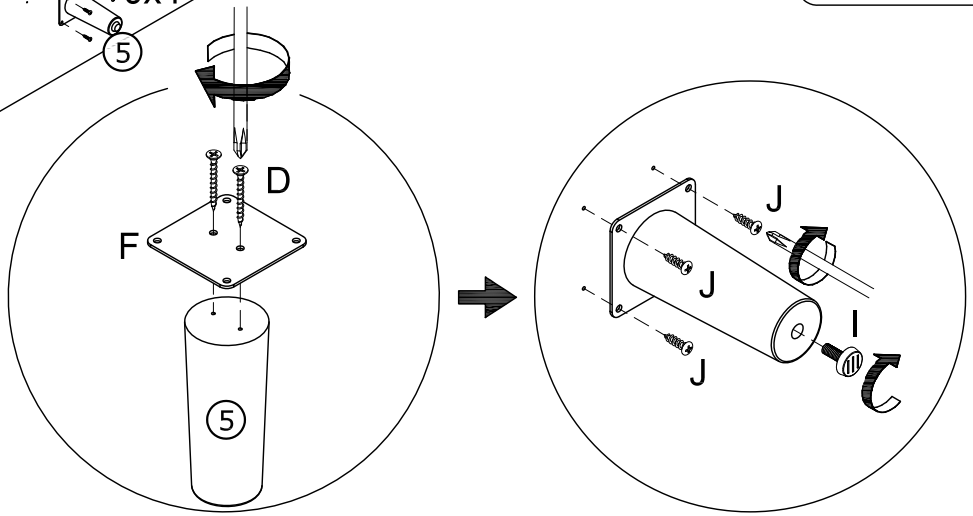
- A  x4
- B  x4
- C  x4



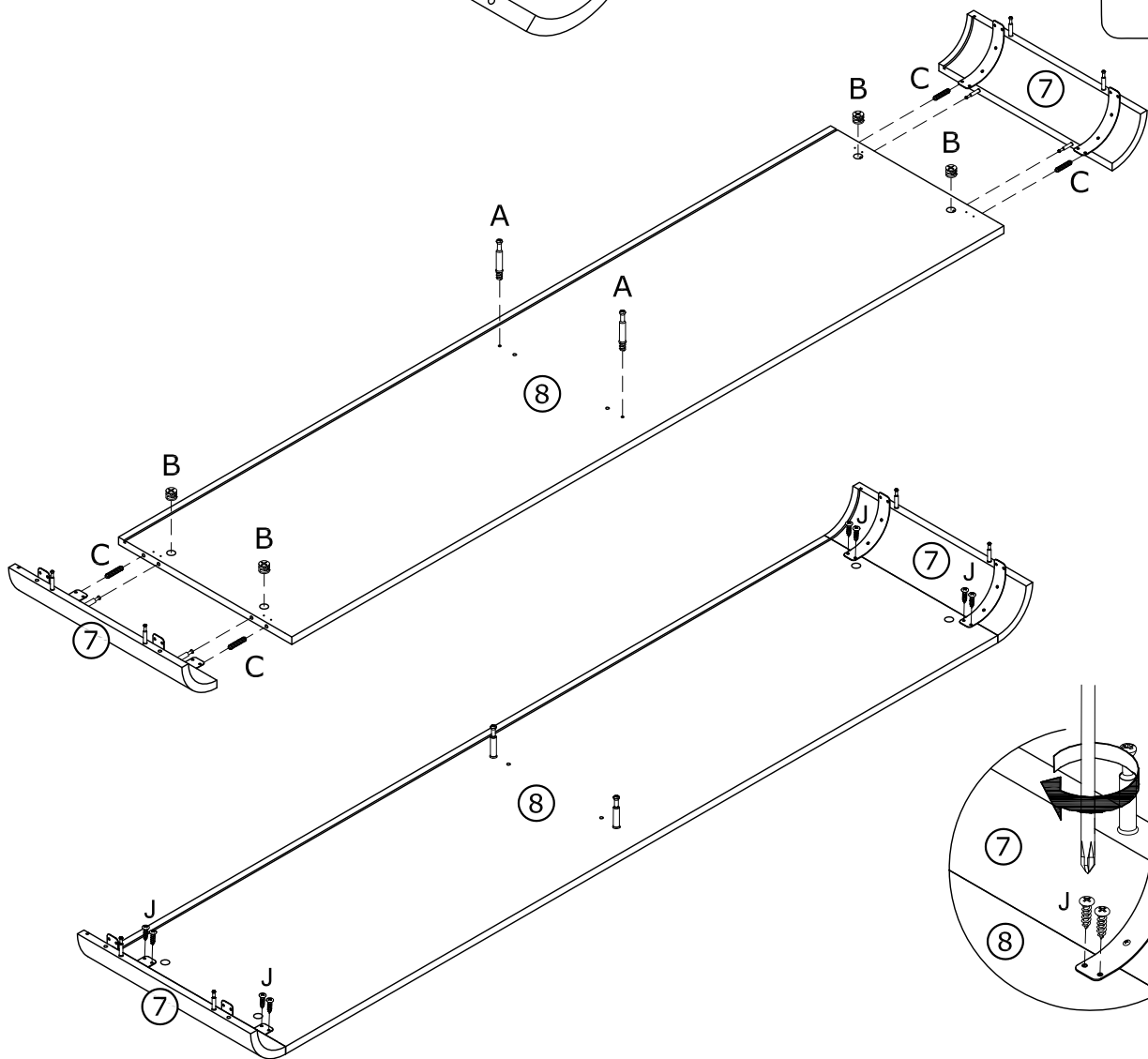
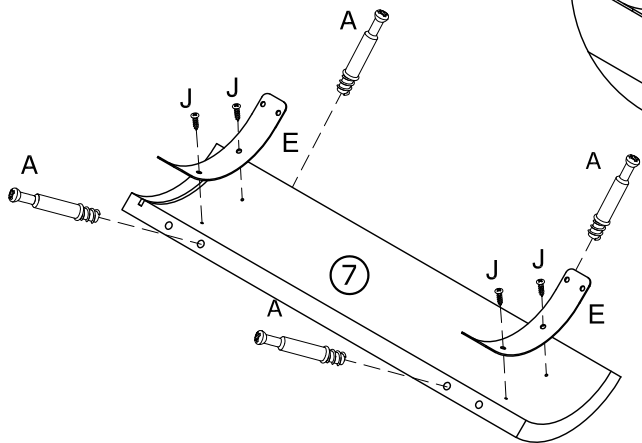
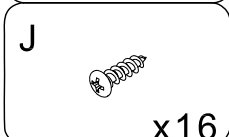
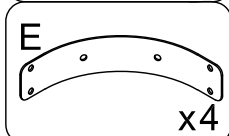
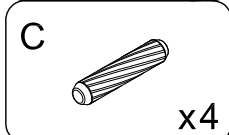
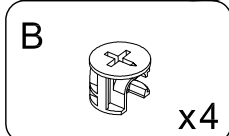
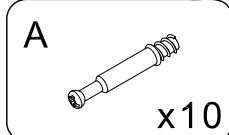
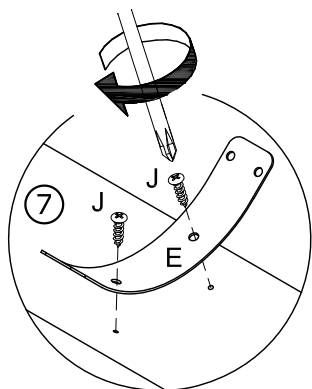
3



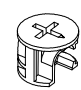
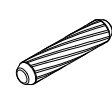

- D  x4
- F  x2
- I  x2
- J  x8

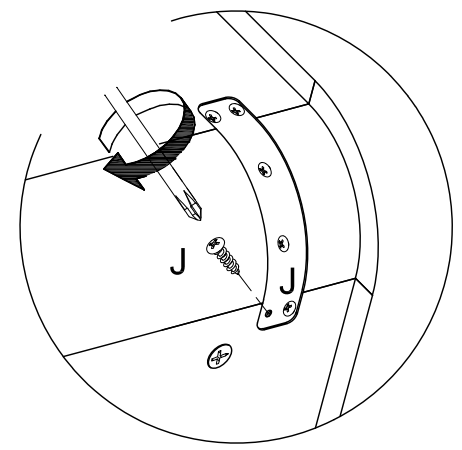
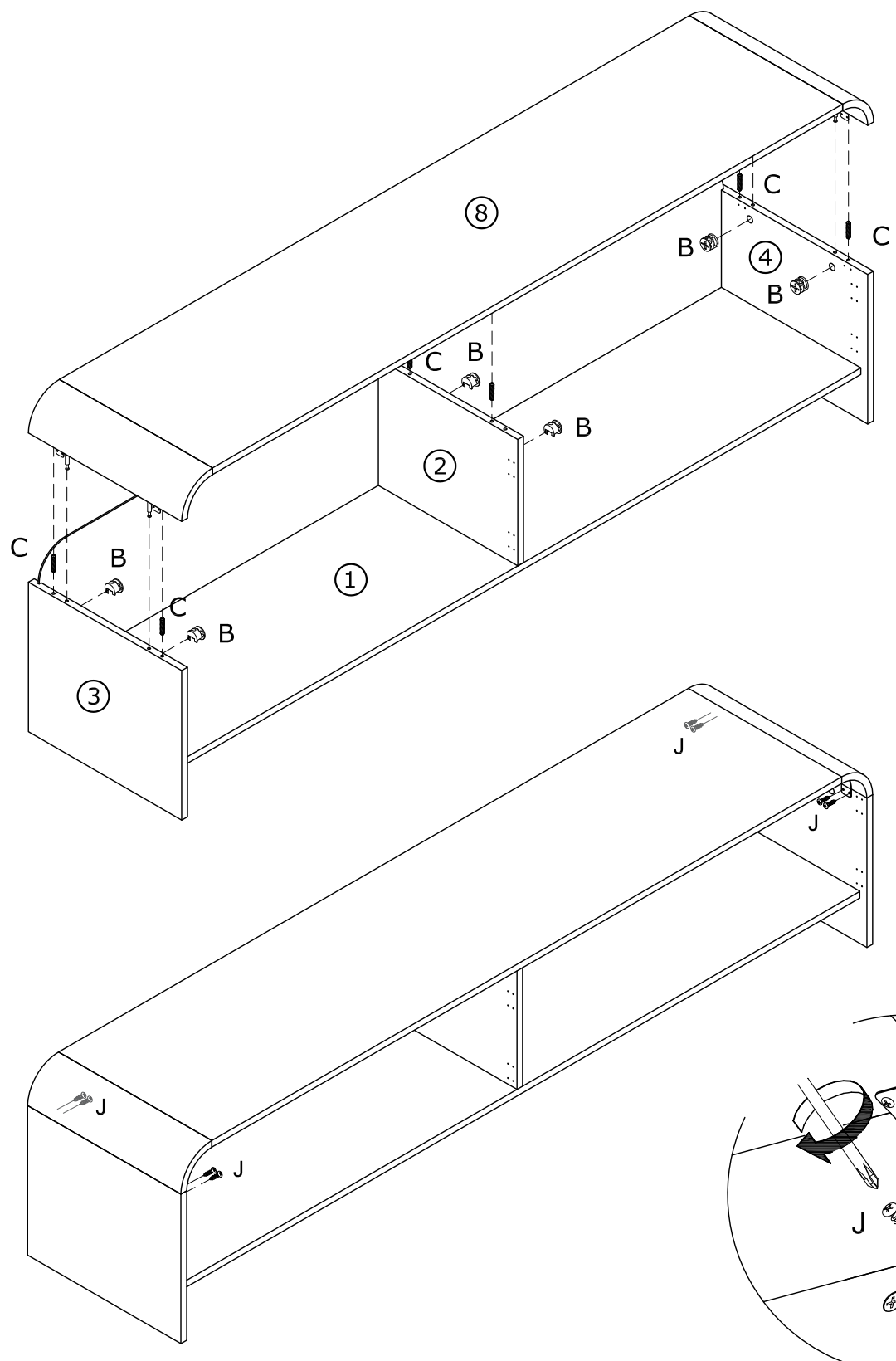


4

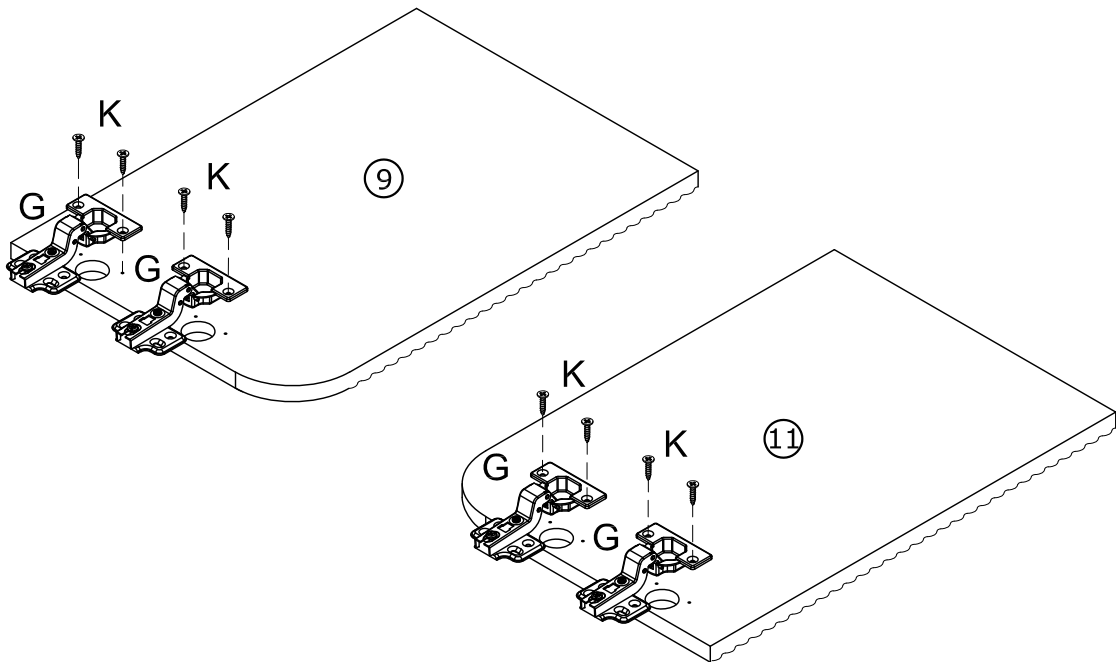
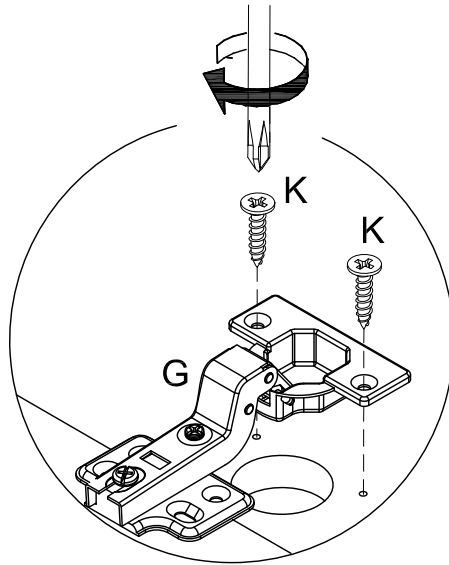
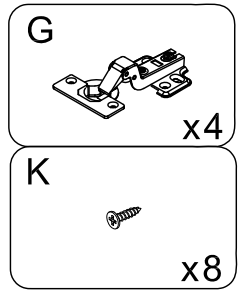
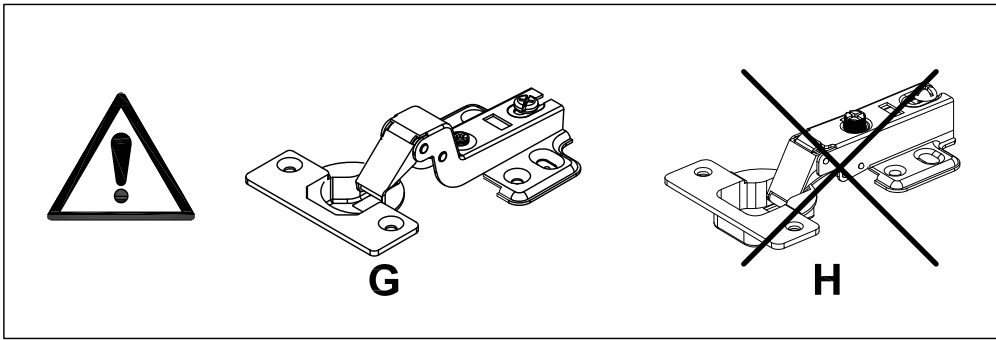


5


- B  x6
- C  x6
- J  x8

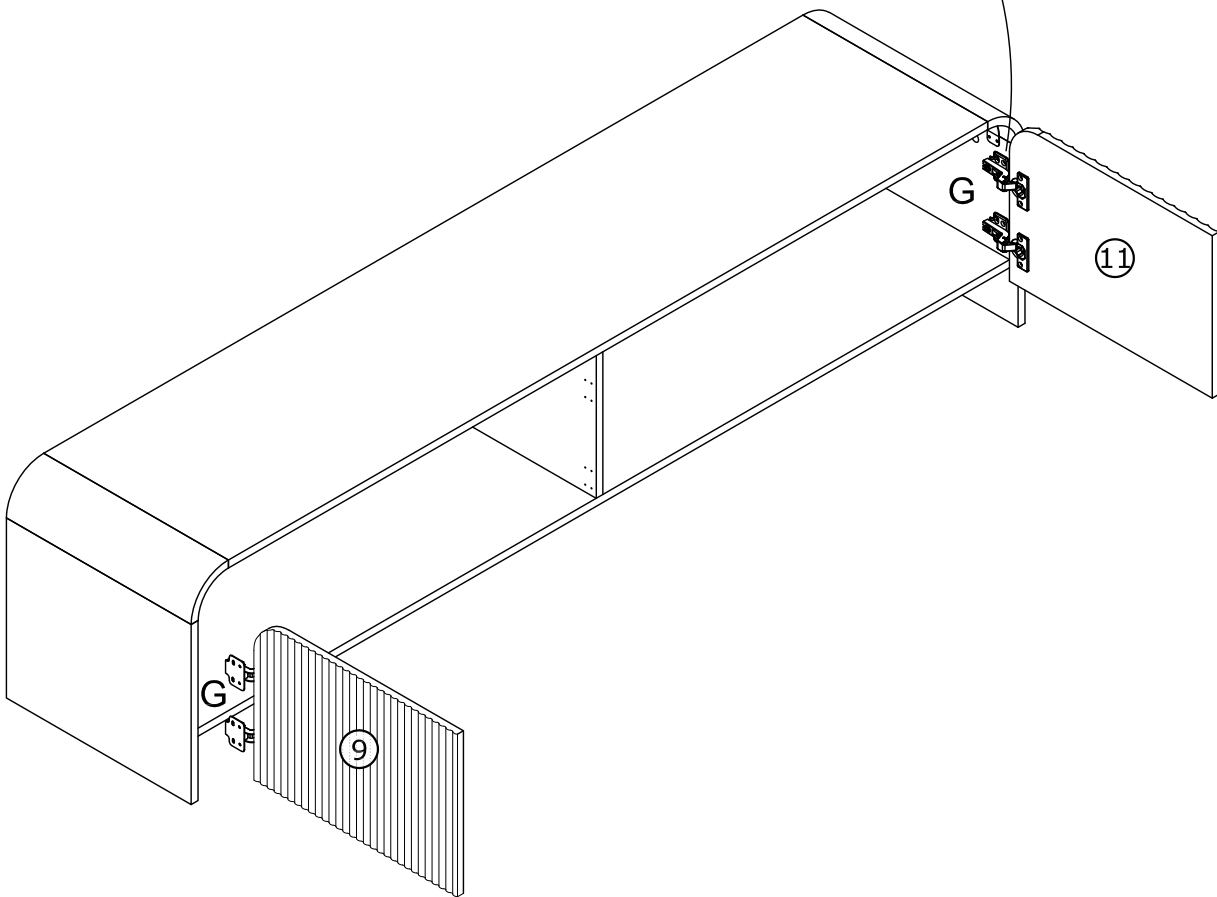
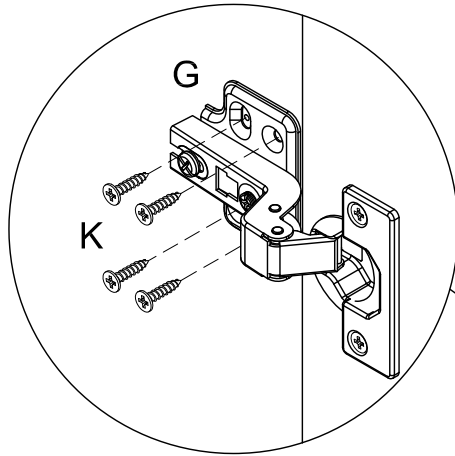


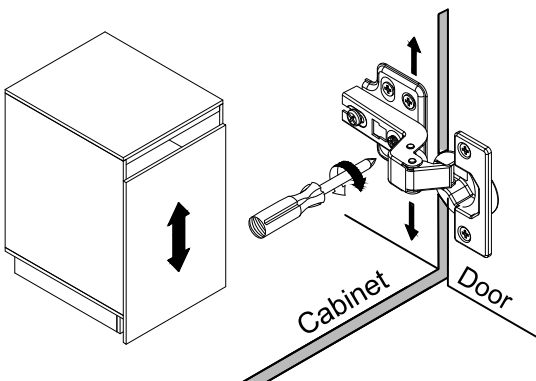
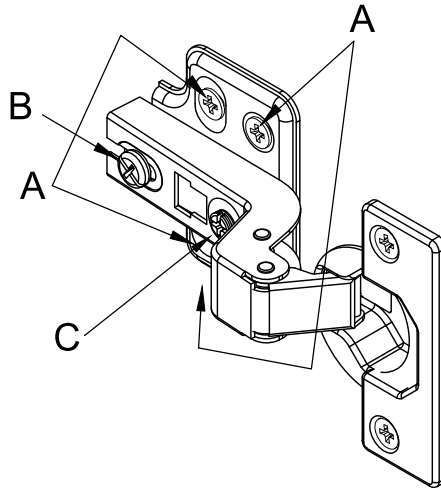
6



7

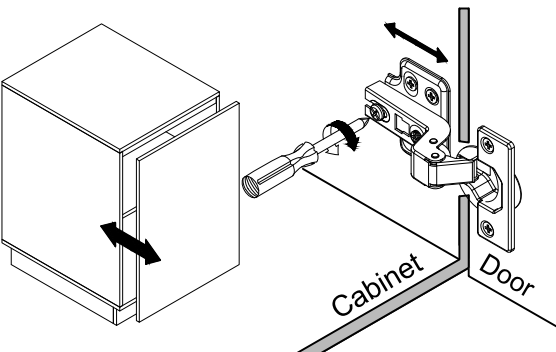
K

x16





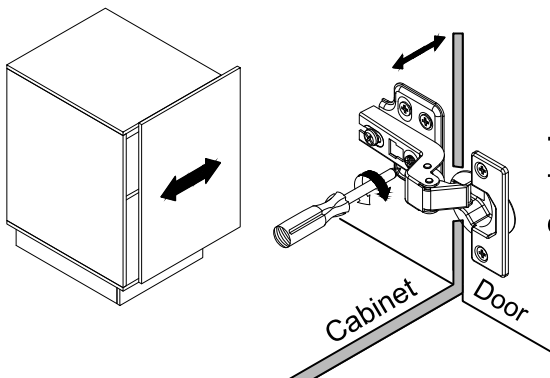
To adjust the vertical height.

Loosen the four screws "A" on both hinges. Two of them are usually in slotted holes which allows you to adjust up or down by a few mm. Then tighten back up.



To adjust depth.

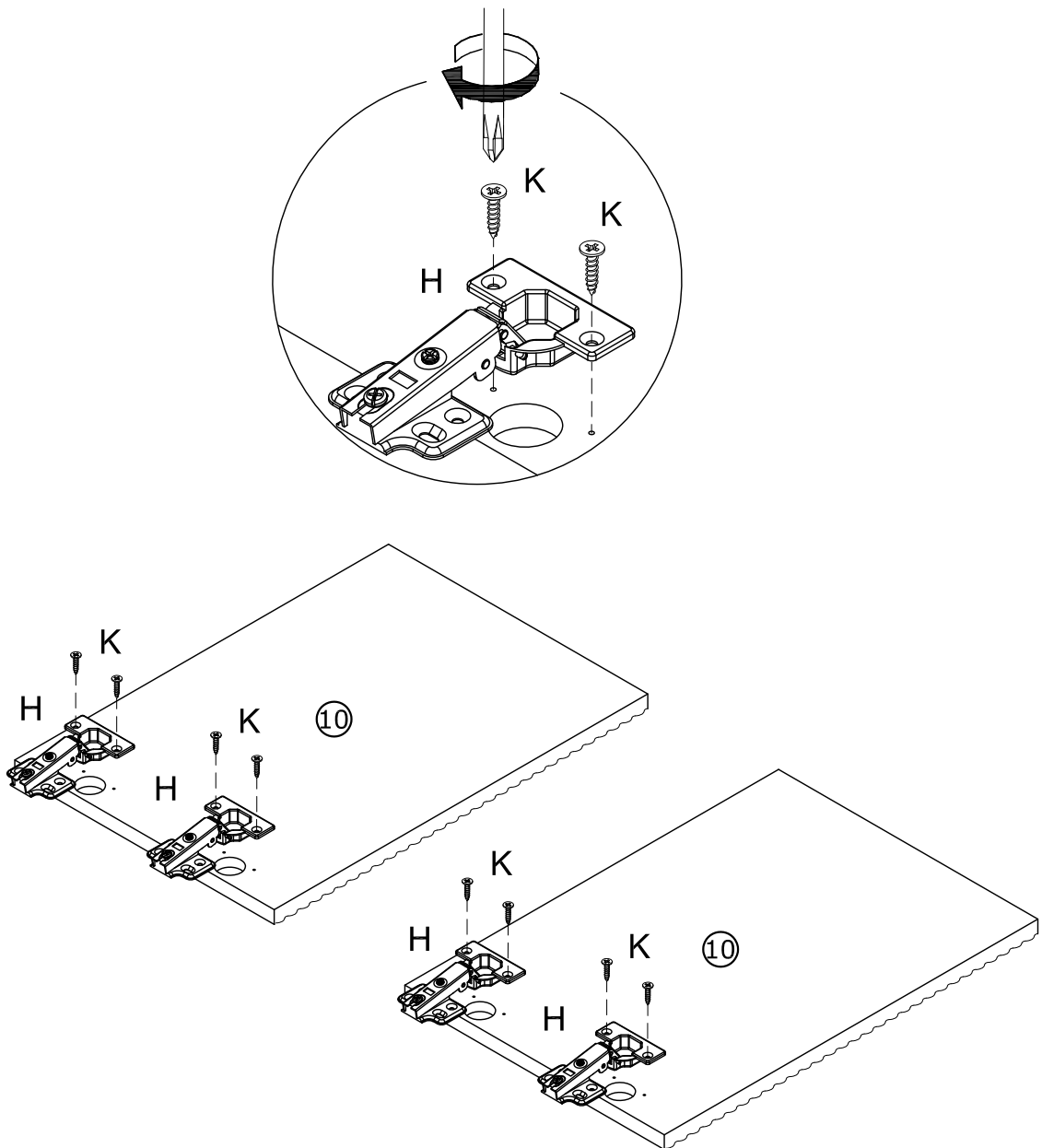
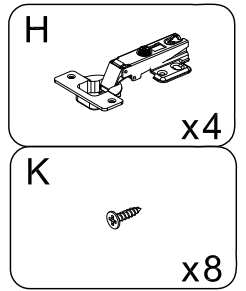
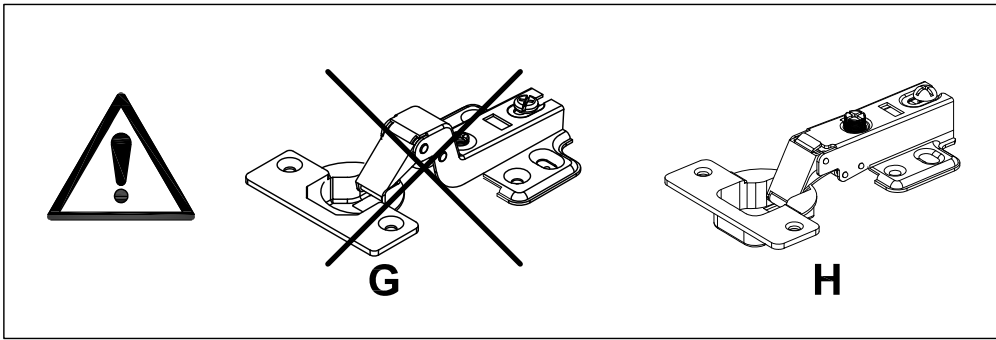
Loosen screw "B" and adjust door, if the door can not be adjusted, please loosen screw "C", then try again. Tighten screw "B" and "C".




To adjust side ways.

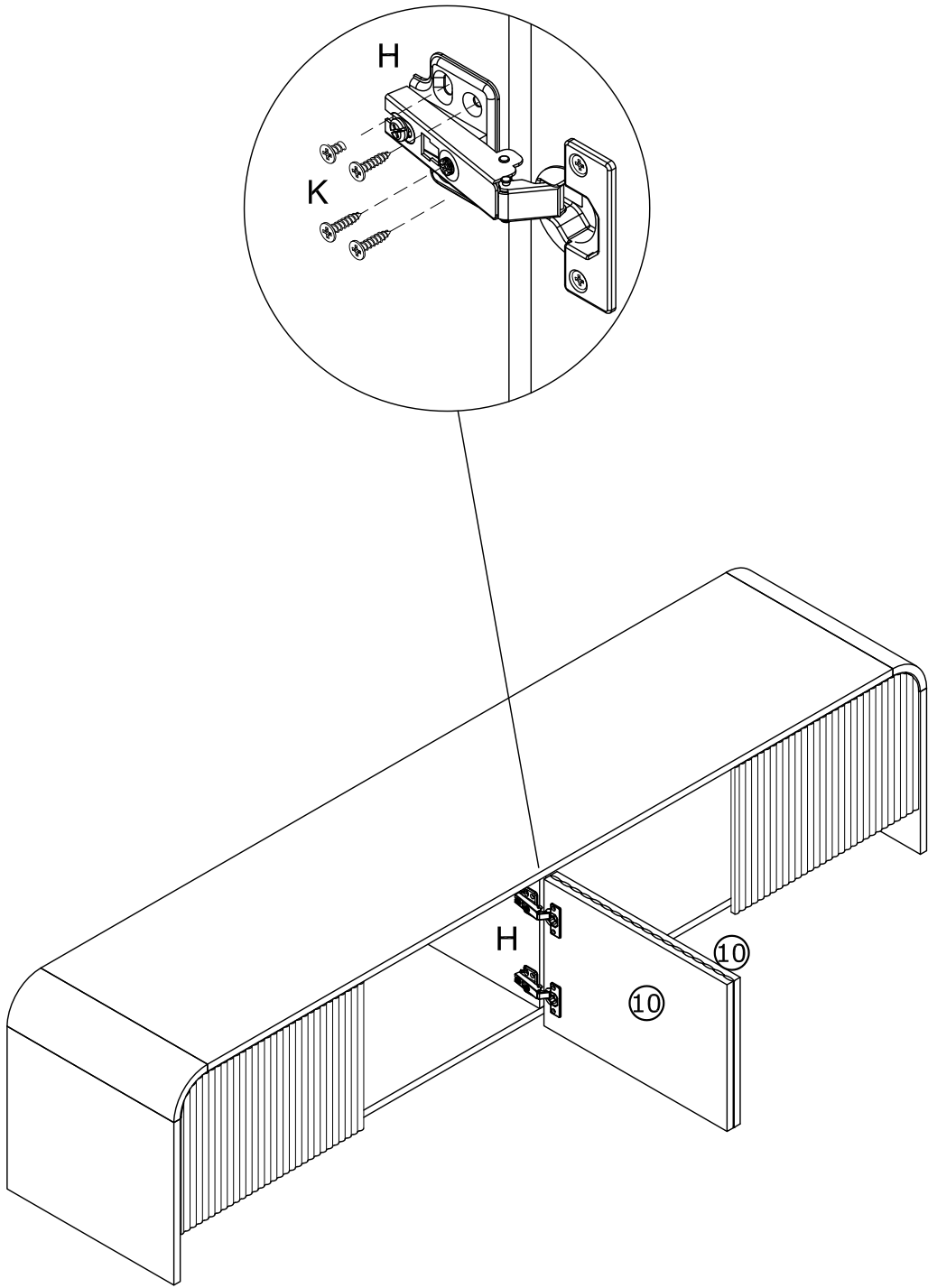
Turning the screw "C" on BOTH hinges on each door.

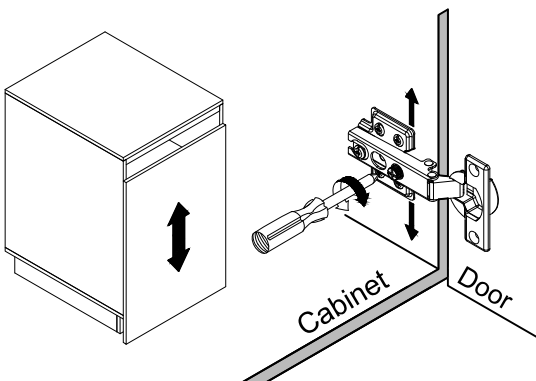
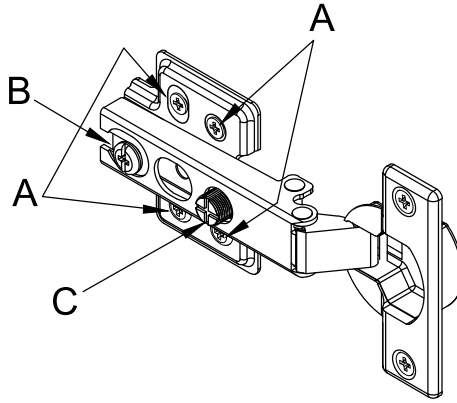
8



9

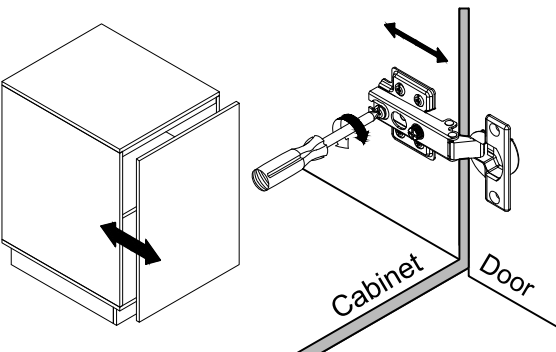
K

x16





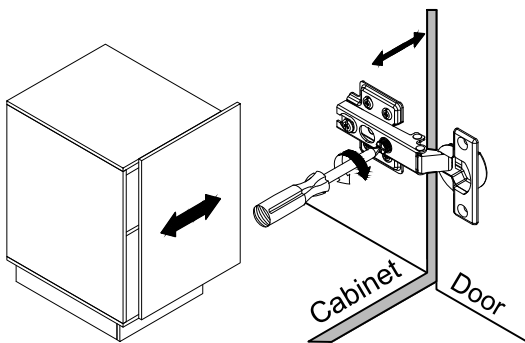
To adjust the vertical height.

Loosen the four screws "A" on both hinges. Two of them are usually in slotted holes which allows you to adjust up or down by a few mm. Then tighten back up.



To adjust depth.

Loosen screw "B" and adjust door, if the door can not be adjusted, please loosen screw "C", then try again. Tighten screw "B" and "C".



To adjust side ways.

Turning the screw "C" on BOTH hinges on each door.

Done

