

NOTICE

- * Please make sure that you have all parts indicated and they are in good condition before you begin assembly of this item. Refer to part list and hardware list below for guidance.
- * This item should be assembled on a soft surface to prevent scratching the finish during assembly.
- * This item may require periodic tightening.
- * If you are having difficulty, our friendly Customer Care team is always here to help.

PREPARATION

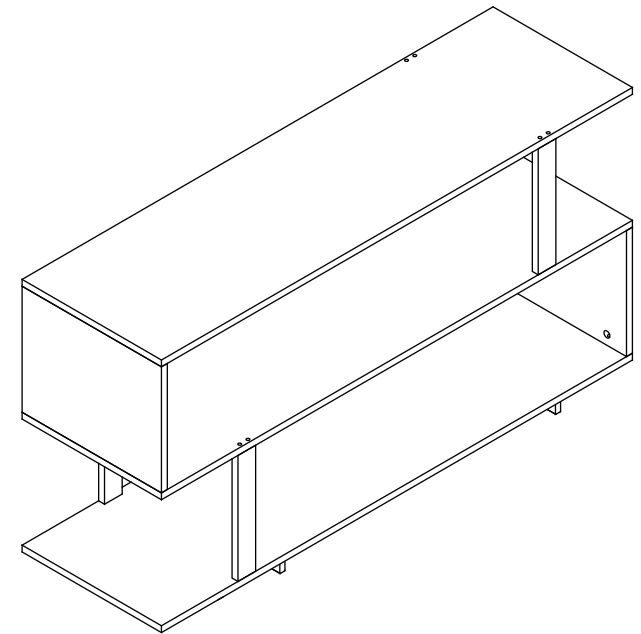
- * Before beginning assembly of product, make sure all parts are present. Compare parts with part contents list and hardware contents list.
- * If any part is missing or damaged, do not attempt to assemble the product.
- * Estimated Assembly Time: 70 minutes.
- * Tools Required for Assembly Required: Allen Key and Phillips Screwdriver.

CARE AND MAINTENANCE

- * Always use felt pads under all articles to prevent discoloration or softening of the lacquer. Plastic and rubber bases on items can discolor wood. Wipe up spills immediately and avoid common hazards such as hot dishes, harsh solvents and abrasives. Cleaning should be done with a soft lint free cotton cloth dampened with water or furniture polish. On highly used surfaces we recommend applying a quality paste wax which should be used on a regular basis to provide additional protection from scratches and spills. How often you apply the wax depends on how much wear the furniture receives.
- * Wipe spills immediately. Maintain with regular dusting and clean with mild soap and water, dry thoroughly and do not use a brass cleaner. Adhesive felt pads should always be used/applied in order to prevent damage to the furniture or surfaces on which the furniture is placed.

Owner Manual

Item Dimension:47.25"Wx14"Dx24.40"H






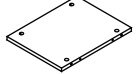
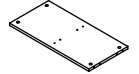

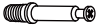






WARNING

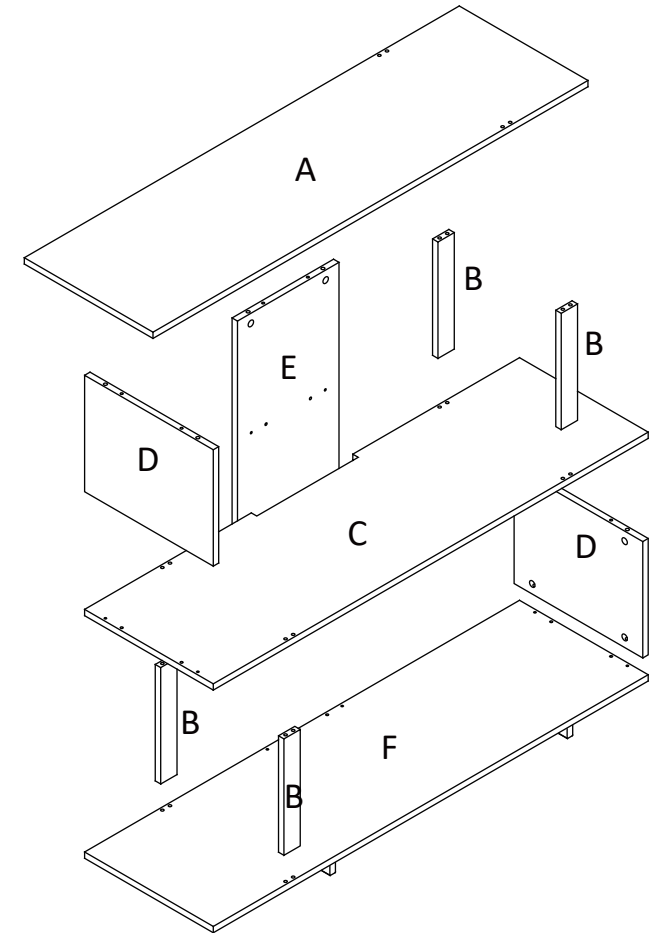
Weight Capacity-60LBS

Warning:Do not stand on Table

Warning:Do not over torque bolts.

Part List and Hardware List

PIECE	DESCRIPTION	PICTURE	QUANTITY
A	Top Panel		1X
B	Rail		1X
C	Shelf Side Panel		1X
D	Side Panel		2X
E	Back Panel		1X
F	Bottom Panel		1X
HW1	Cam Bolt		12X
HW2	Cam Lock		12X
HW3	Dowel		14X
HW4	Bolt (6X0.5X30mm)		16X
HW5	Sticker		30X
HW6	Screw (4X0.5X37mm)		2X
HW7	Allen Key		1X



PREPARATION

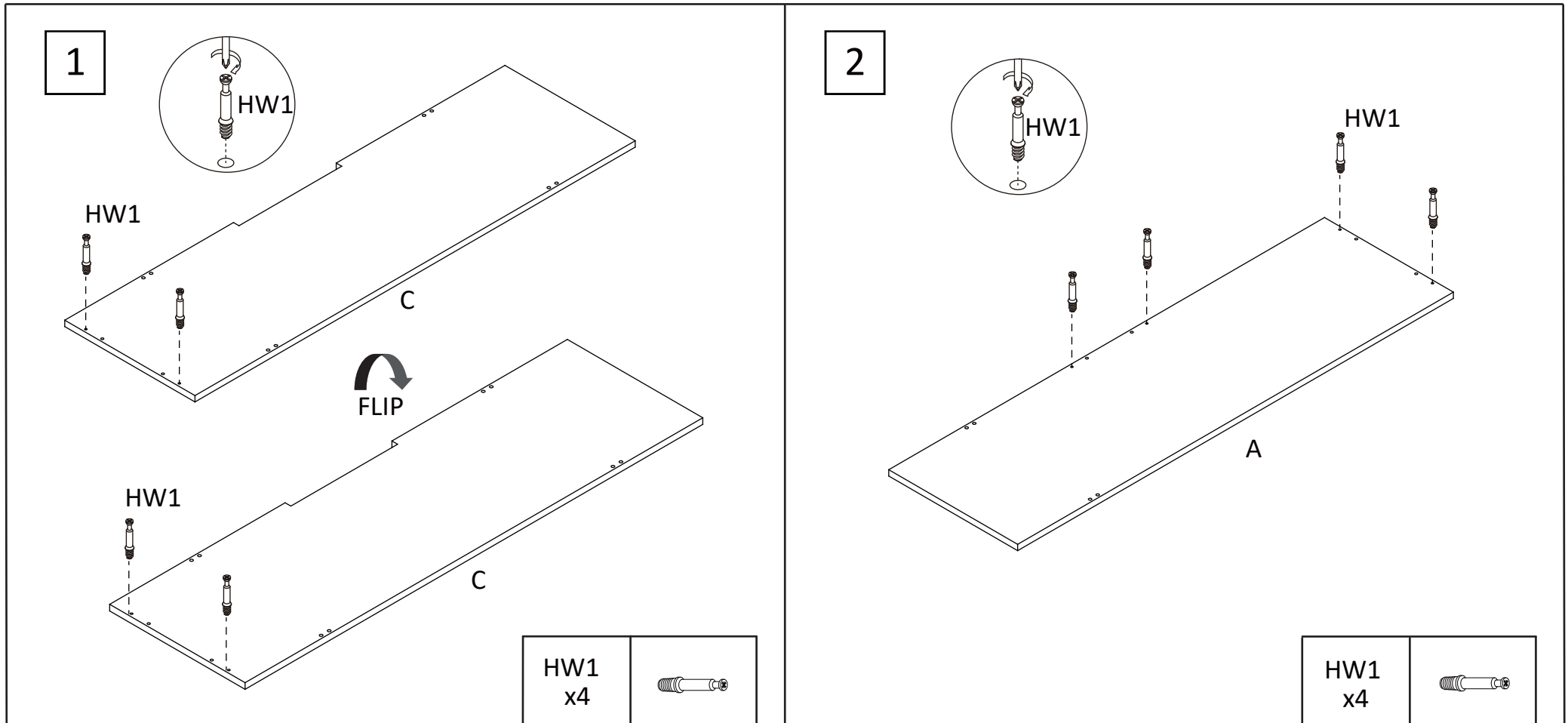
Before beginning assembly of product, make sure all parts are present. Compare parts with package contents list and hardware contents list.

If any part is missing or damaged, do not attempt to assemble the product.

Estimated Assembly Time: 70 minutes.

Tools Required for Assembly : Phillips Screwdriver and Allen Keys. Phillips Screwdriver are not included, Allen Key included.

* If you are having difficulty, our friendly Customer Care team is always here to help.



STEP1:
Insert 4x cam bolts (HW1) into panel [C]. Tighten with a screwdriver.

STEP2:
Insert 4x cam bolts (HW1) into panel [A]. Tighten with a screwdriver.

PREPARATION

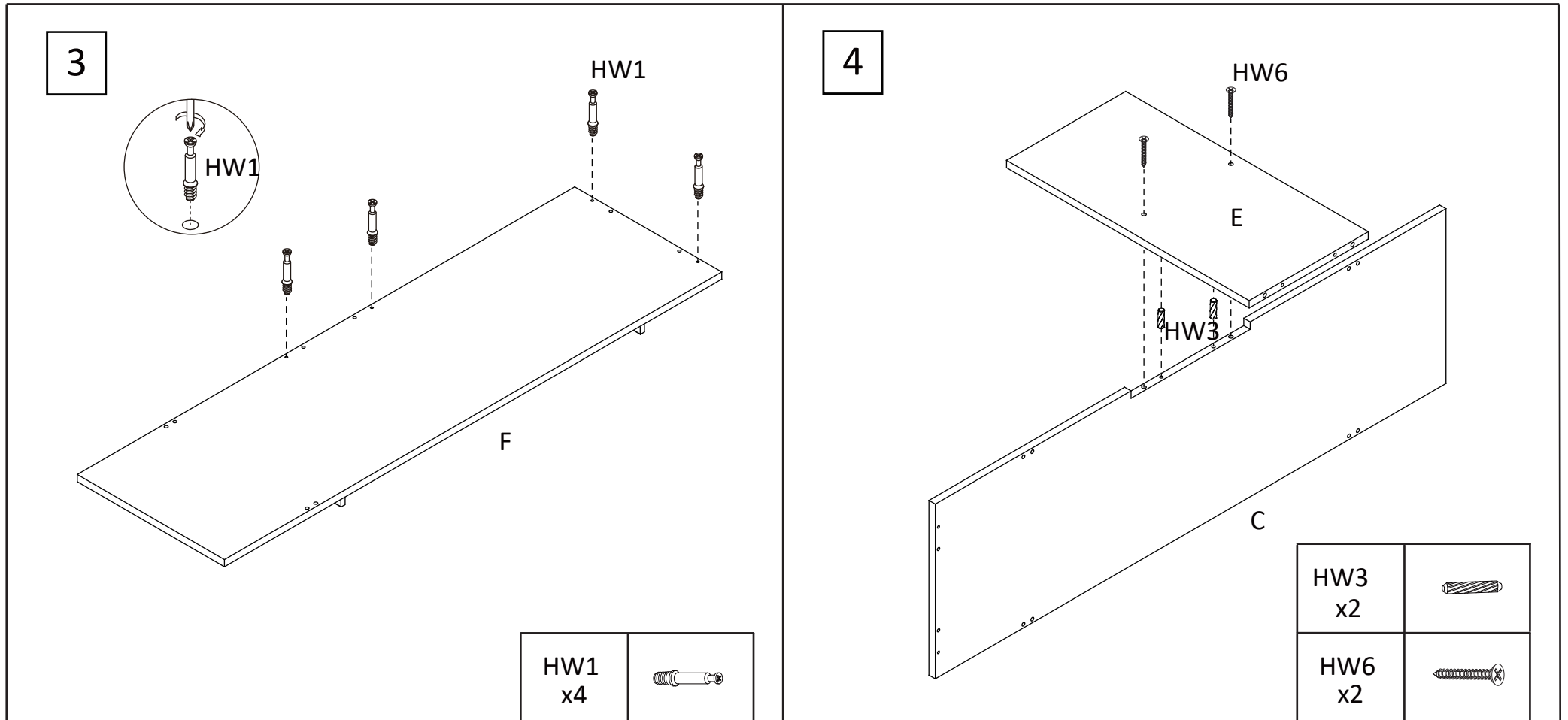
Before beginning assembly of product, make sure all parts are present. Compare parts with package contents list and hardware contents list.

If any part is missing or damaged, do not attempt to assemble the product.

Estimated Assembly Time: 70 minutes.

Tools Required for Assembly : Phillips Screwdriver and Allen Keys. Phillips Screwdriver are not included, Allen Key included.

* If you are having difficulty, our friendly Customer Care team is always here to help.



STEP3:

Insert 4x cam bolts (HW1) into panel [F]. Tighten with a screwdriver.

STEP4:

Attach panel [E] to panel [C] with 2X dowels (HW3) and secure with 2x screws (HW6). Tighten with a screwdriver.

PREPARATION

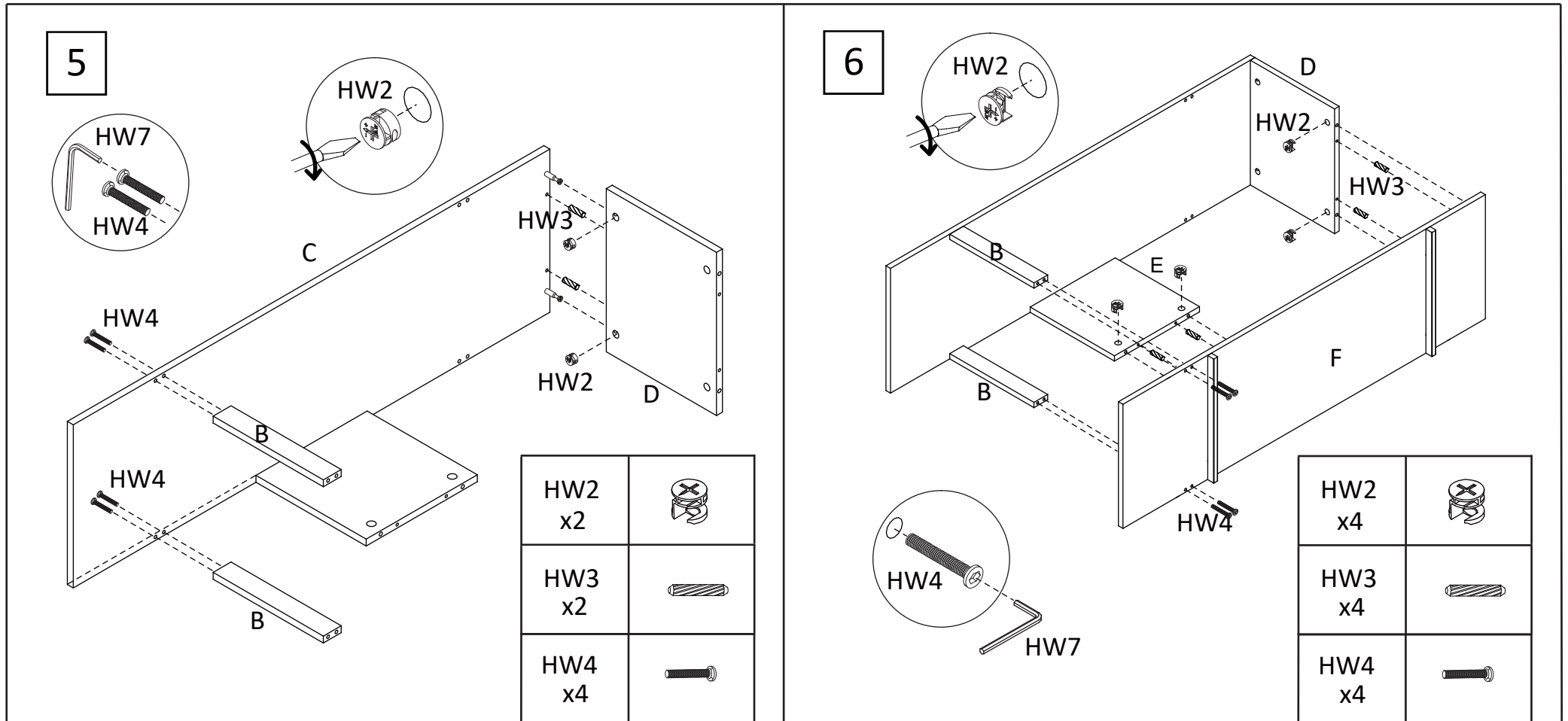
Before beginning assembly of product, make sure all parts are present. Compare parts with package contents list and hardware contents list.

If any part is missing or damaged, do not attempt to assemble the product.

Estimated Assembly Time: 70 minutes.

Tools Required for Assembly : Phillips Screwdriver and Allen Keys. Phillips Screwdriver are not included, Allen Key included.

* If you are having difficulty, our friendly Customer Care team is always here to help.



STEP5:

Attach panels [B] to panel [C] secure with 4x bolt (HW4). Tighten with a allenkey. Attach panels [D] to panel [C] with 2X dowels (HW3) and secure with 2x cam lock (HW2). Tighten with a screwdriver.

STEP6:

Attach panel [F] to panel [B] secure with 4x bolt (HW4). Tighten with a allenkey. Attach panel [F] to panels [D] and [E] with 4X dowels (HW3) and secure with 4x cam lock (HW2). Tighten with a screwdriver.

PREPARATION

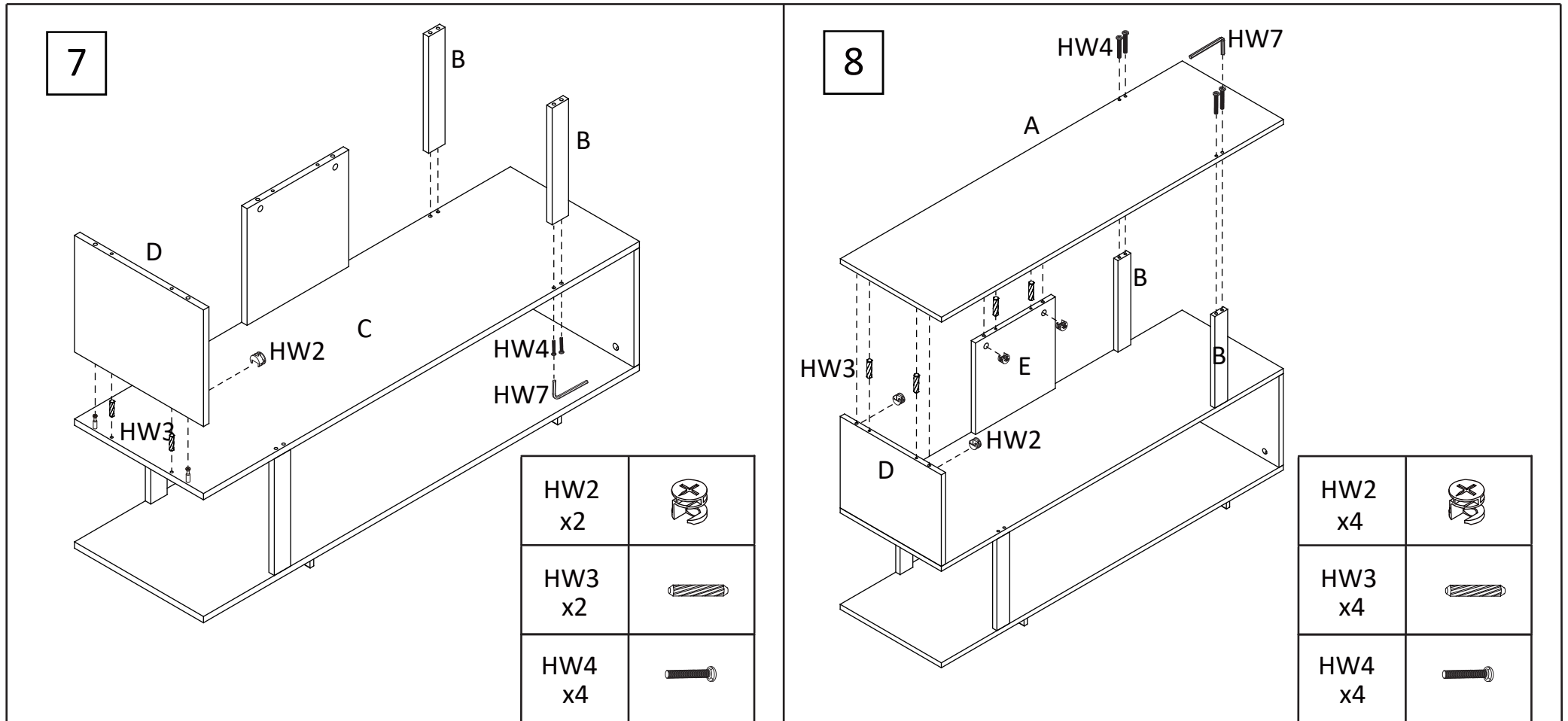
Before beginning assembly of product, make sure all parts are present. Compare parts with package contents list and hardware contents list.

If any part is missing or damaged, do not attempt to assemble the product.

Estimated Assembly Time: 70 minutes.

Tools Required for Assembly : Phillips Screwdriver and Allen Keys. Phillips Screwdriver are not included, Allen Key included.

* If you are having difficulty, our friendly Customer Care team is always here to help.



STEP7:

Attach panels [B] to panel [C] secure with 4x bolt (HW4). Tighten with a allenkey. Attach panels [D] to panel [C] with 2X dowels (HW3) and secure with 2x cam lock (HW2). Tighten with a screwdriver.

STEP8:

Attach panel [A] to panels [B] secure with 4x bolt (HW4). Tighten with a allenkey. Attach panel [A] to panels [D] and [E] with 4X dowels (HW3) and secure with 4x cam lock (HW2). Tighten with a screwdriver.

PREPARATION

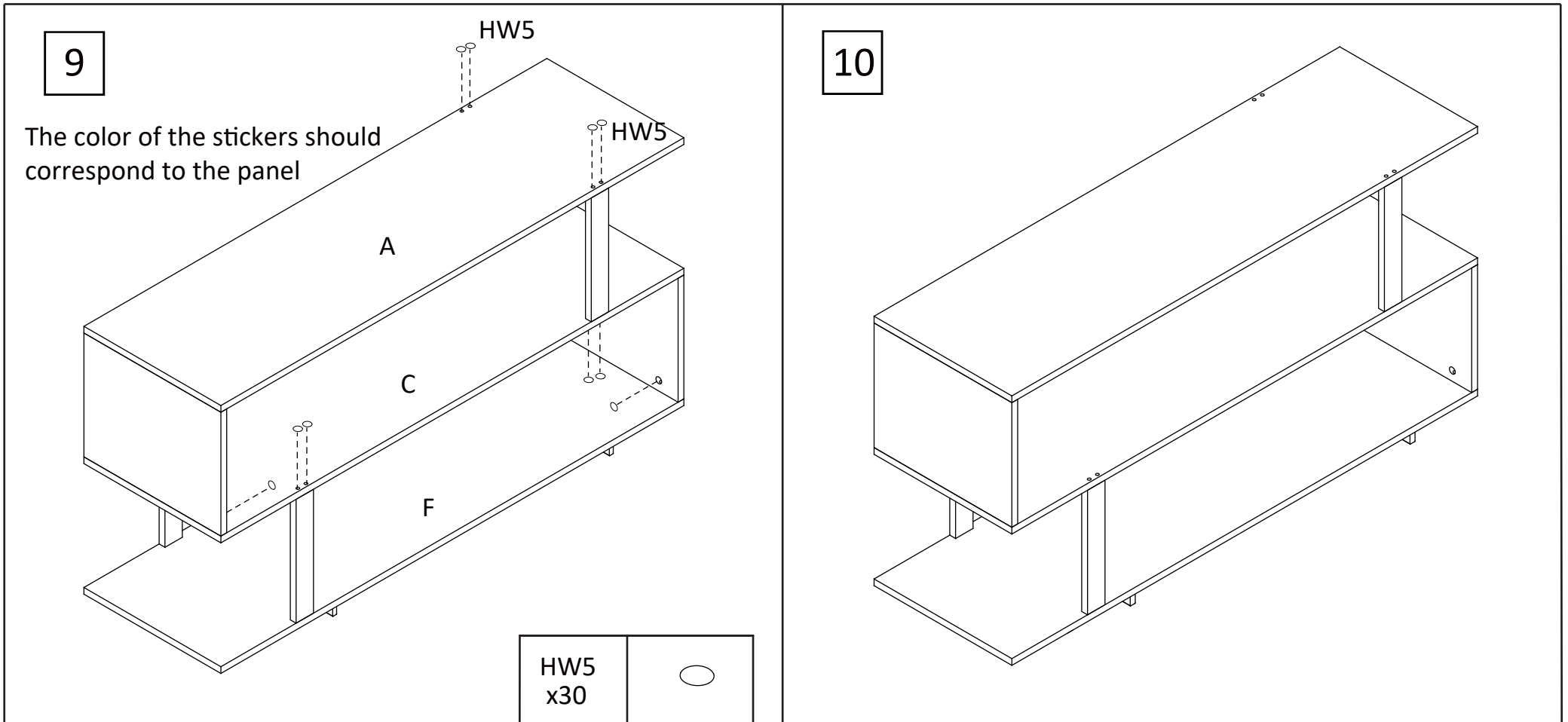
Before beginning assembly of product, make sure all parts are present. Compare parts with package contents list and hardware contents list.

If any part is missing or damaged, do not attempt to assemble the product.

Estimated Assembly Time: 70 minutes.

Tools Required for Assembly : Phillips Screwdriver and Allen Keys. Phillips Screwdriver are not included, Allen Key included.

* If you are having difficulty, our friendly Customer Care team is always here to help.



STEP9:

Attach 30x sticker (HW5) to panels [A], [C] and [F].

STEP10:

You're done, enjoy!