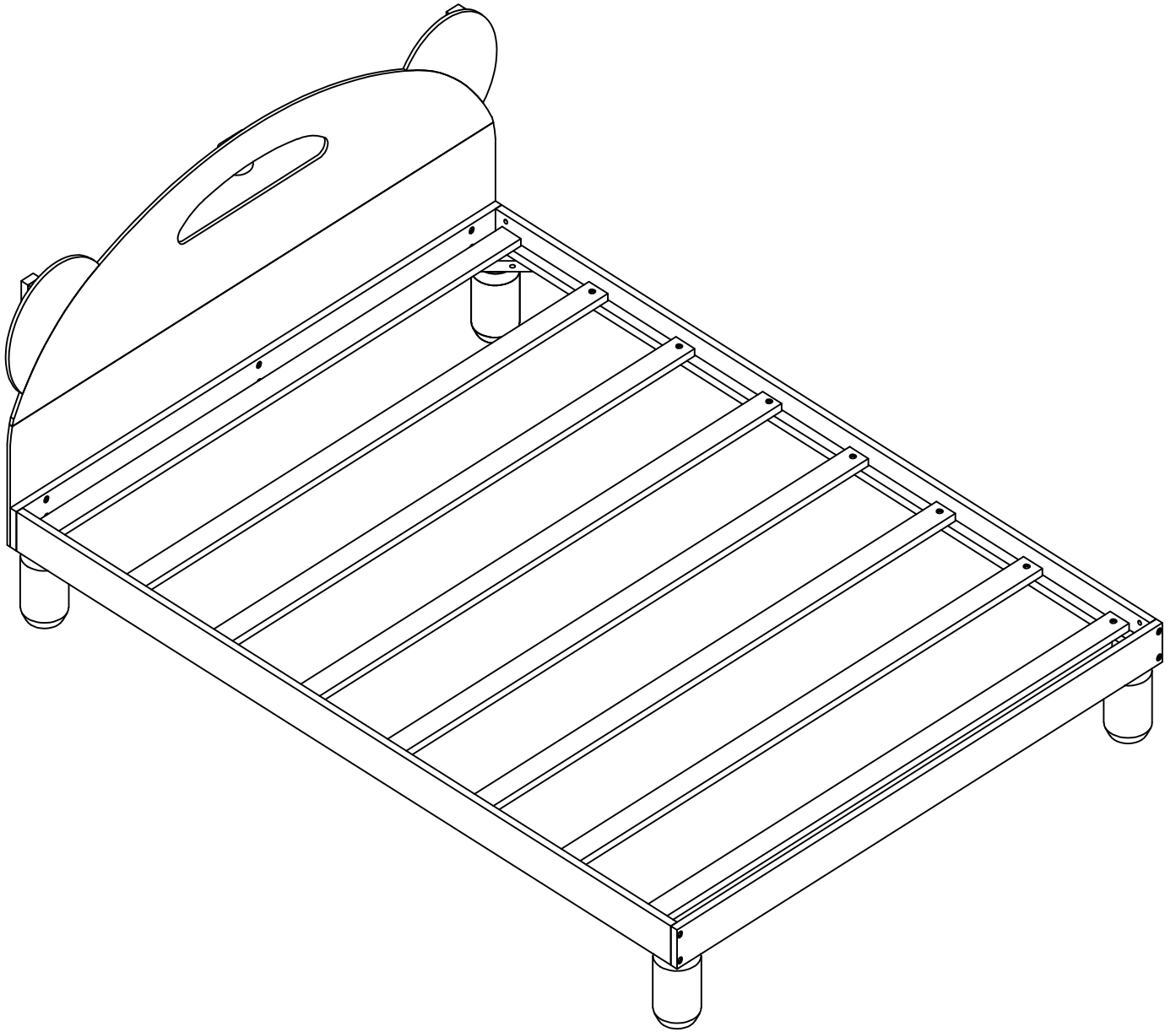
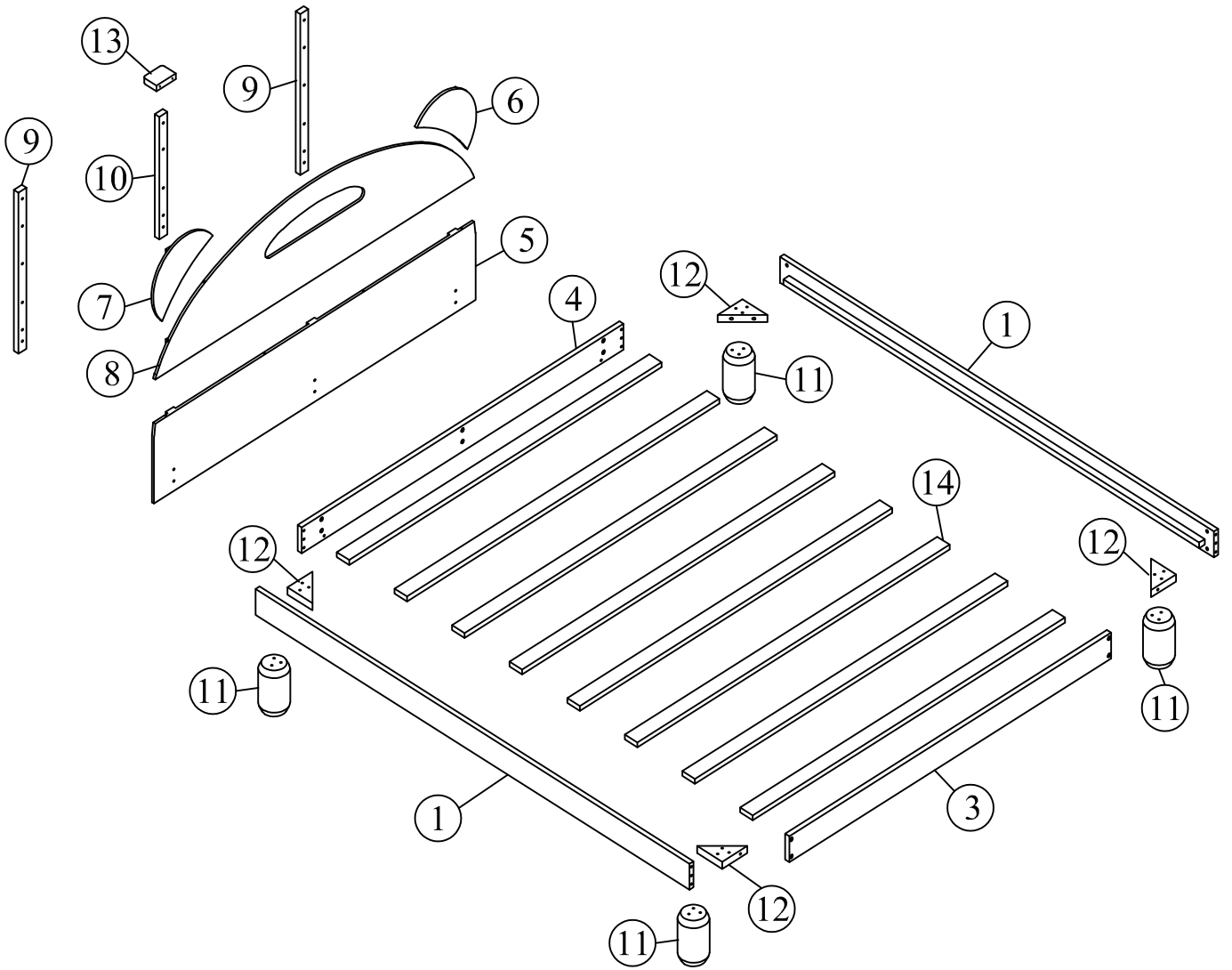


ASSEMBLY INSTRUCTION

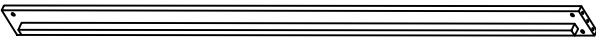


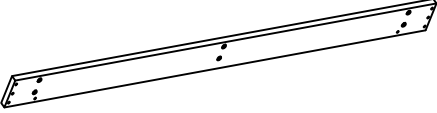
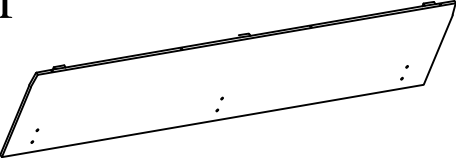
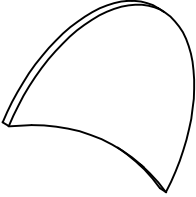
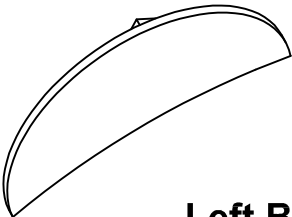
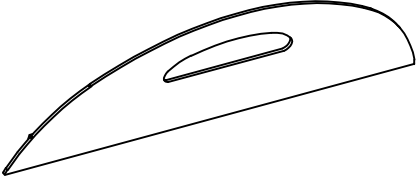
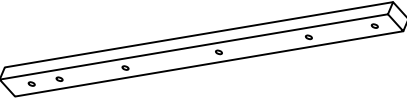
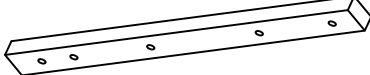
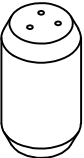
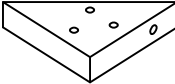
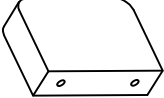
SKU CODE: WF311532



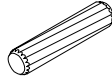
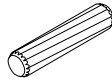

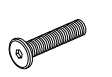
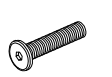
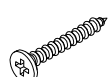


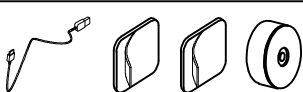
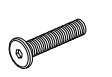
Detail:



Part List (WF311532)

<p>① x2</p>  <p style="text-align: center;">Side Rail</p>	<p>⑭ x8</p>  <p style="text-align: center;">Slats</p>
<p>③ x1</p>  <p style="text-align: center;">Footboard Panel</p>	<p>④ x1</p>  <p style="text-align: center;">Headboard Panel</p>
<p>⑤ x1</p>  <p style="text-align: center;">Headboard Panel</p>	<p>⑥ x1</p>  <p style="text-align: center;">Right Bear Ears</p>
<p>⑦ x1</p>  <p style="text-align: center;">Left Bear Ears</p>	<p>⑧ x1</p>  <p style="text-align: center;">Headboard Panel</p>
<p>⑨ x2</p>  <p style="text-align: center;">Connect wooden stick</p>	<p>⑩ x1</p>  <p style="text-align: center;">Connect wooden stick</p>
<p>⑪ x4</p>  <p style="text-align: center;">Round Leg</p>	<p>⑫ x4</p>  <p style="text-align: center;">Connect wooden stick</p>
<p>⑬ x1</p>  <p style="text-align: center;">Connect wooden stick</p>	

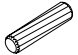
Hardware List (WF311532)

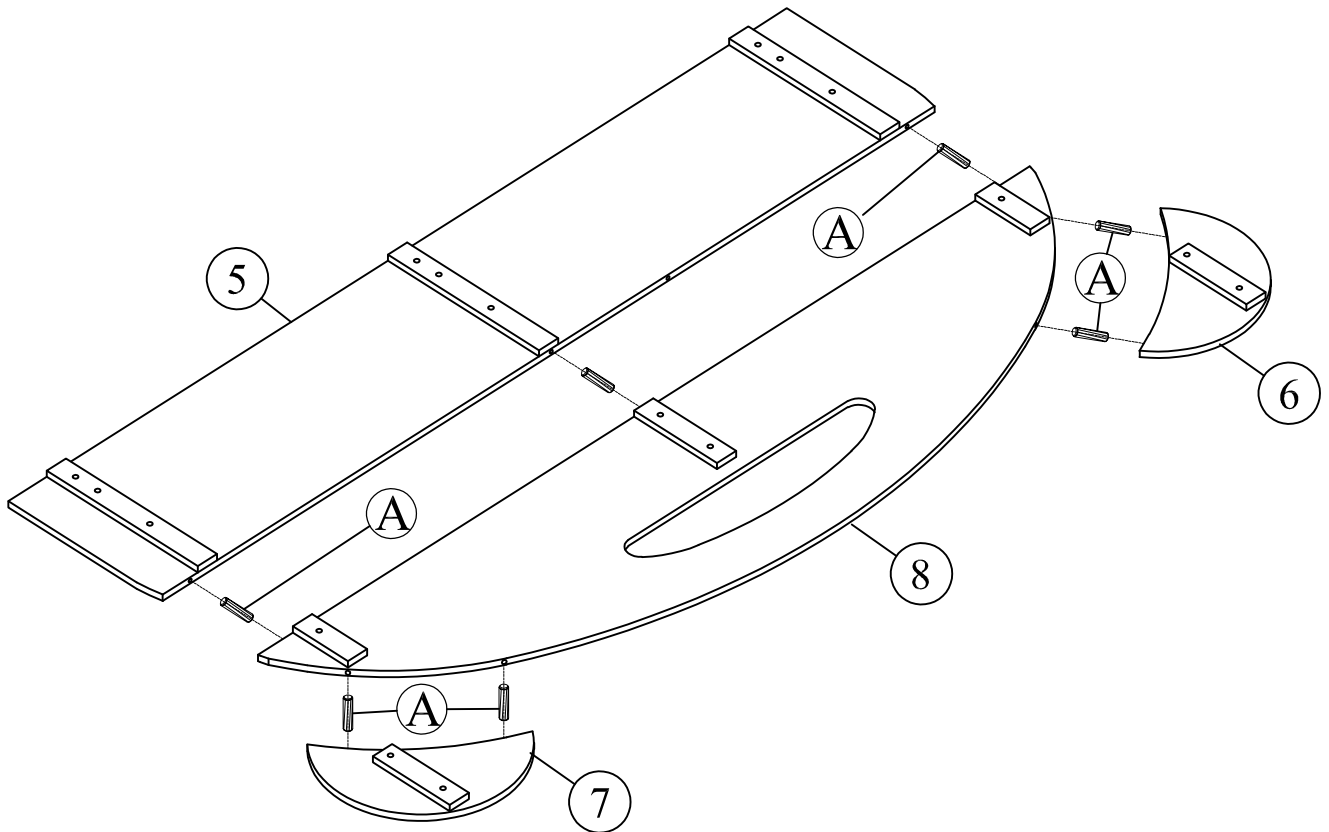
No.	OUTLOOK	DESC	QTY
A		Dowel Ø6*30mm	7pcs
B		Dowel Ø8*30mm	8pcs
C		Bolts M6*70mm	8pcs
D		Bolts M6*40mm	8pcs
E		Bolts M6*30mm	19pcs
F		Flat head screw #8*25mm	18pcs
G		Cross dowel M6*13mm	8pcs
H		Allen key 60*22*4mm	1pc
I		Led Light	1pc
J		Bolts M6*50mm	6pcs

ASSEMBLY TOOLS REQUIRED (NOT INCLUDED)





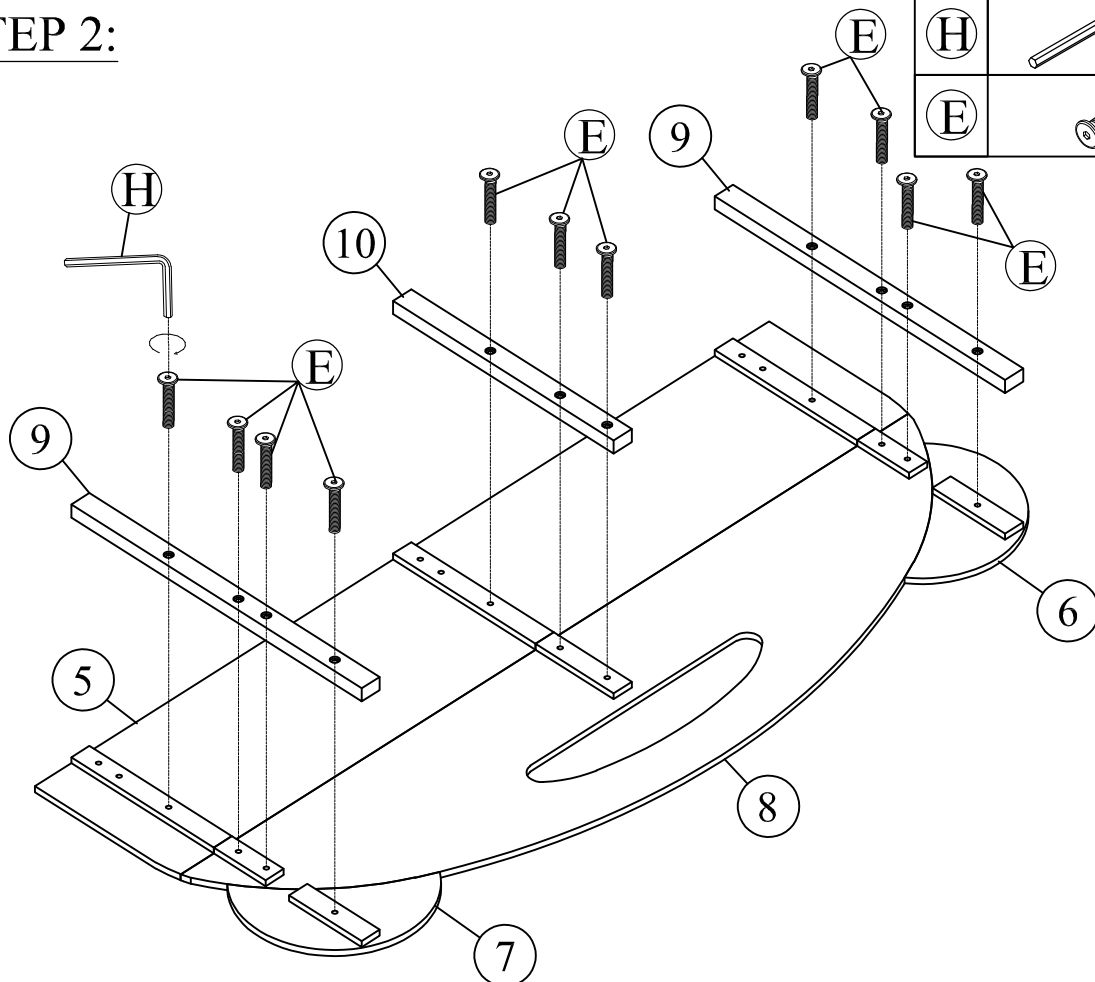
STEP 1:

A		7pcs
---	---	------







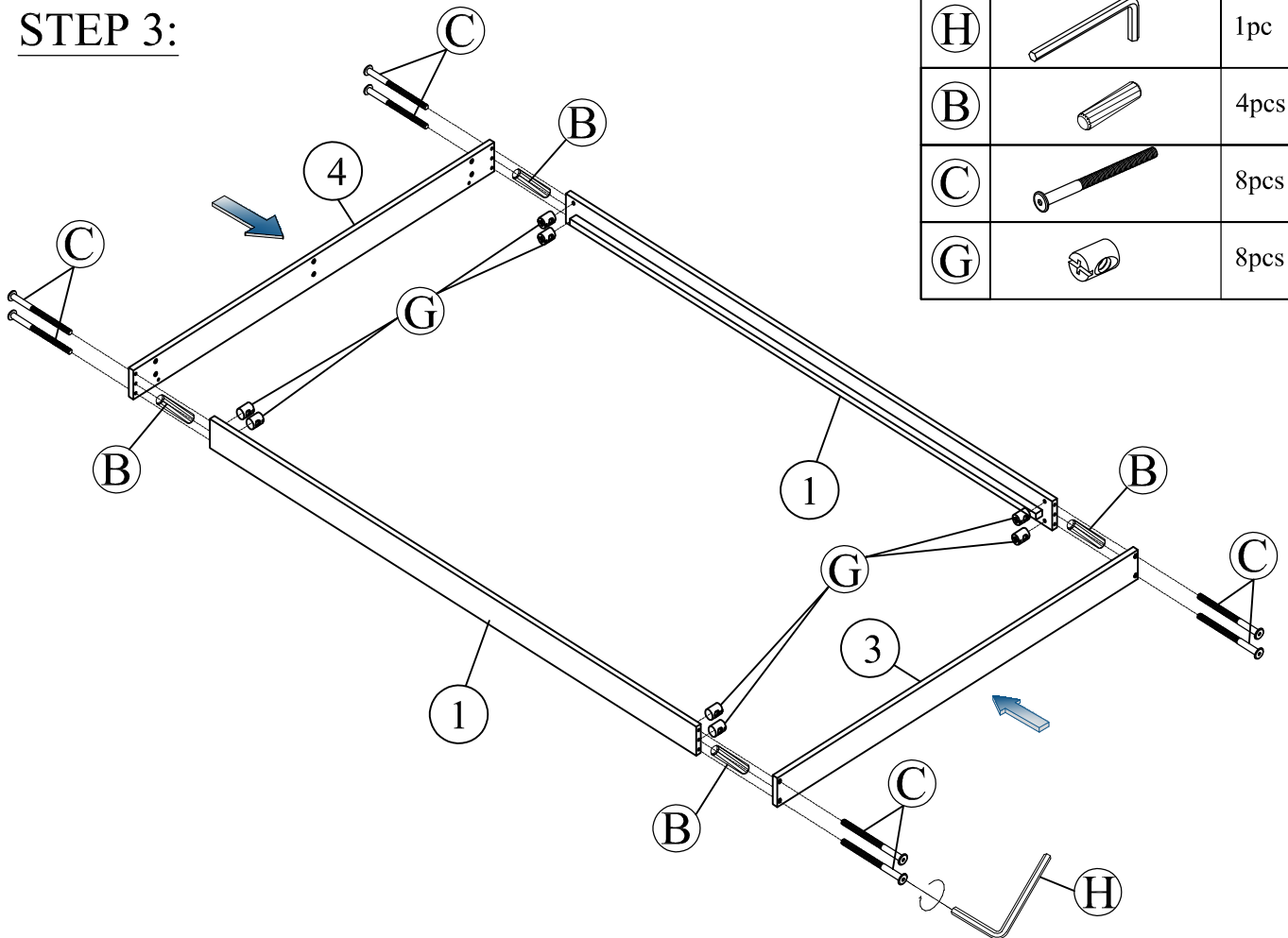
STEP 2:

H		1pc
E		11pcs

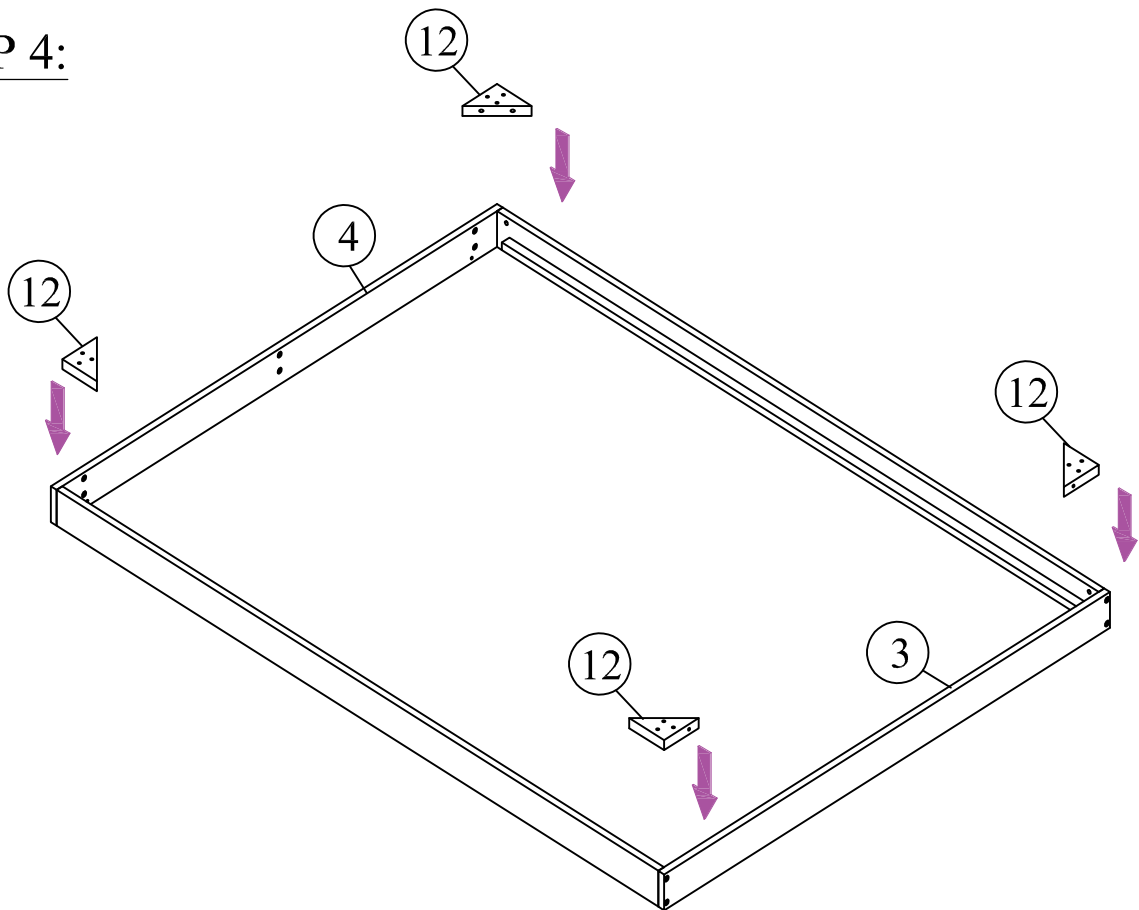


STEP 3:



(H)		1pc
(B)		4pcs
(C)		8pcs
(G)		8pcs

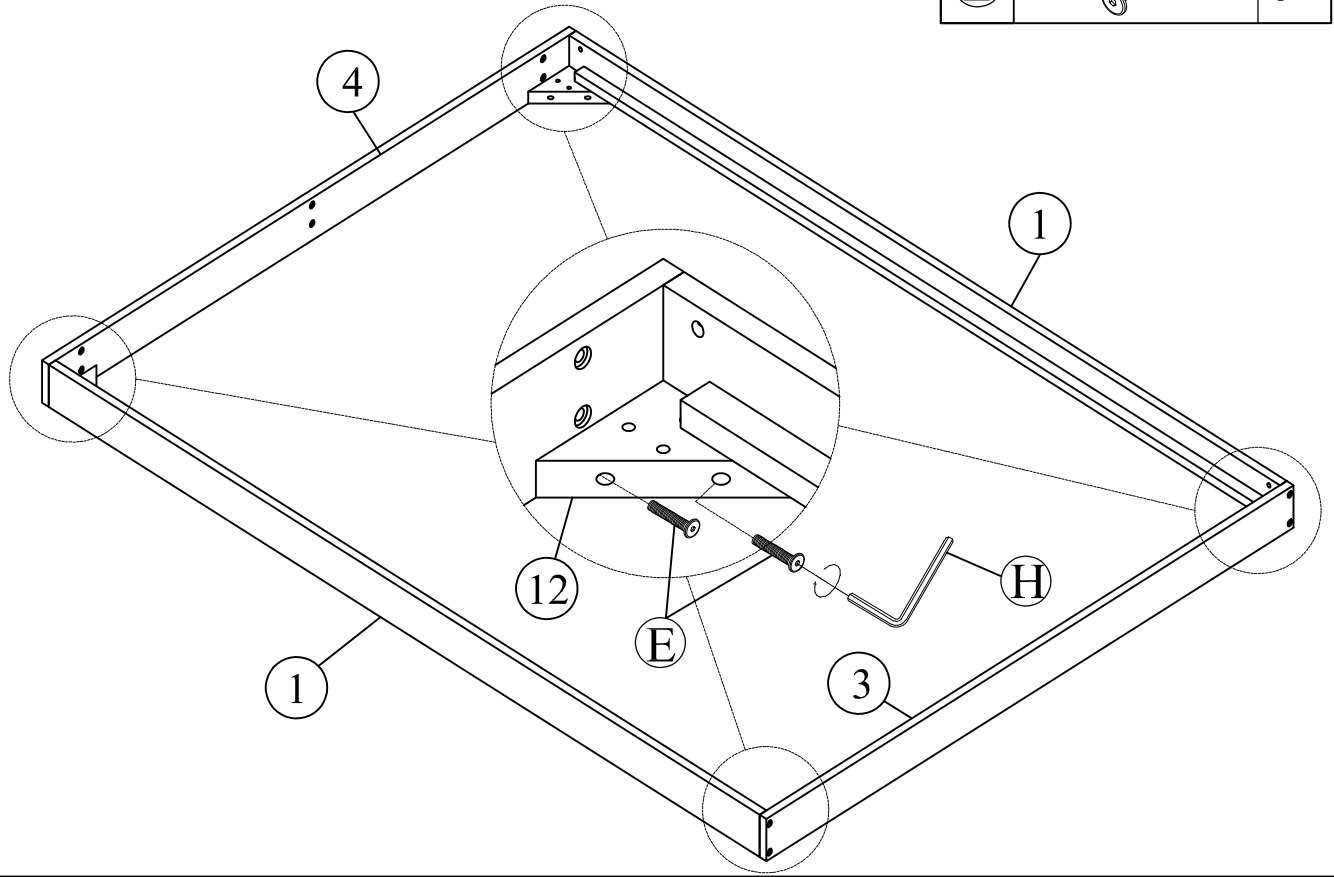


STEP 4:

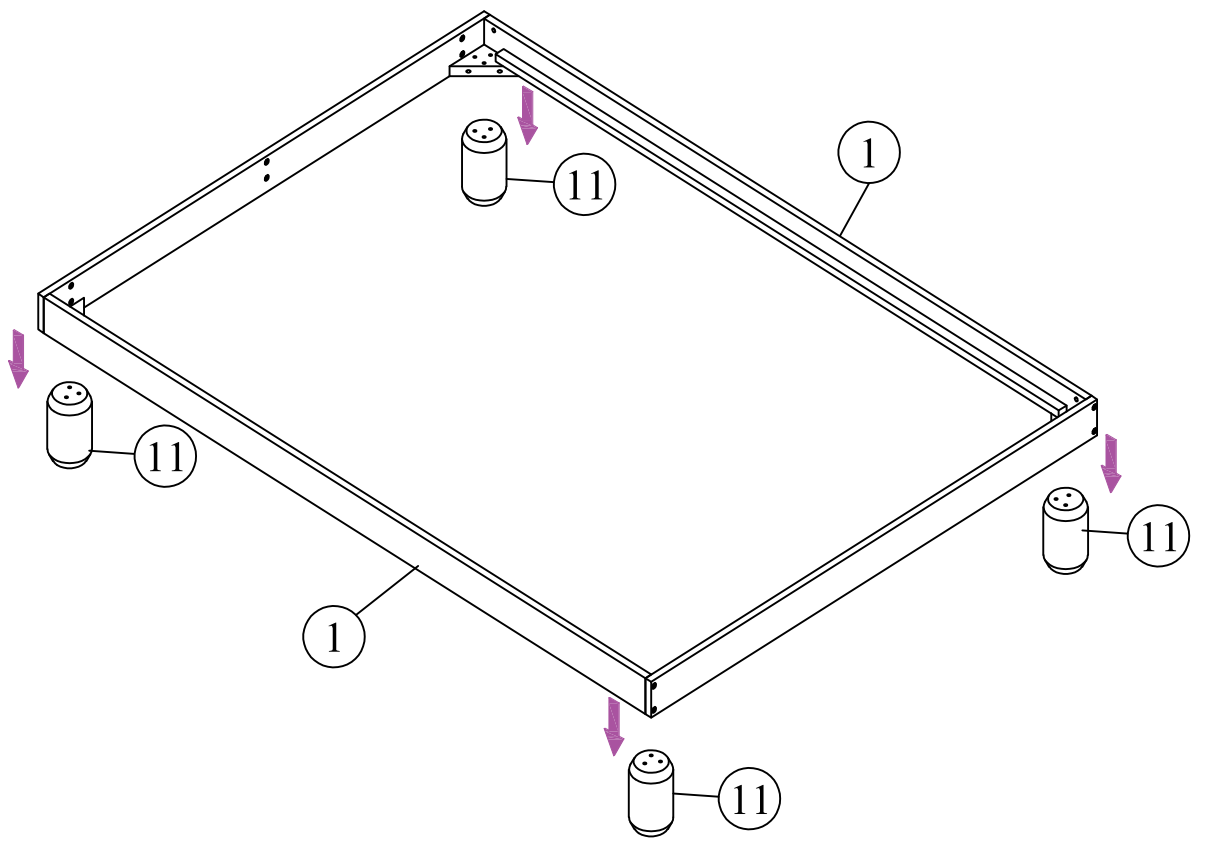


STEP 5:



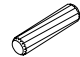
(H)		1pc
(E)		8pcs

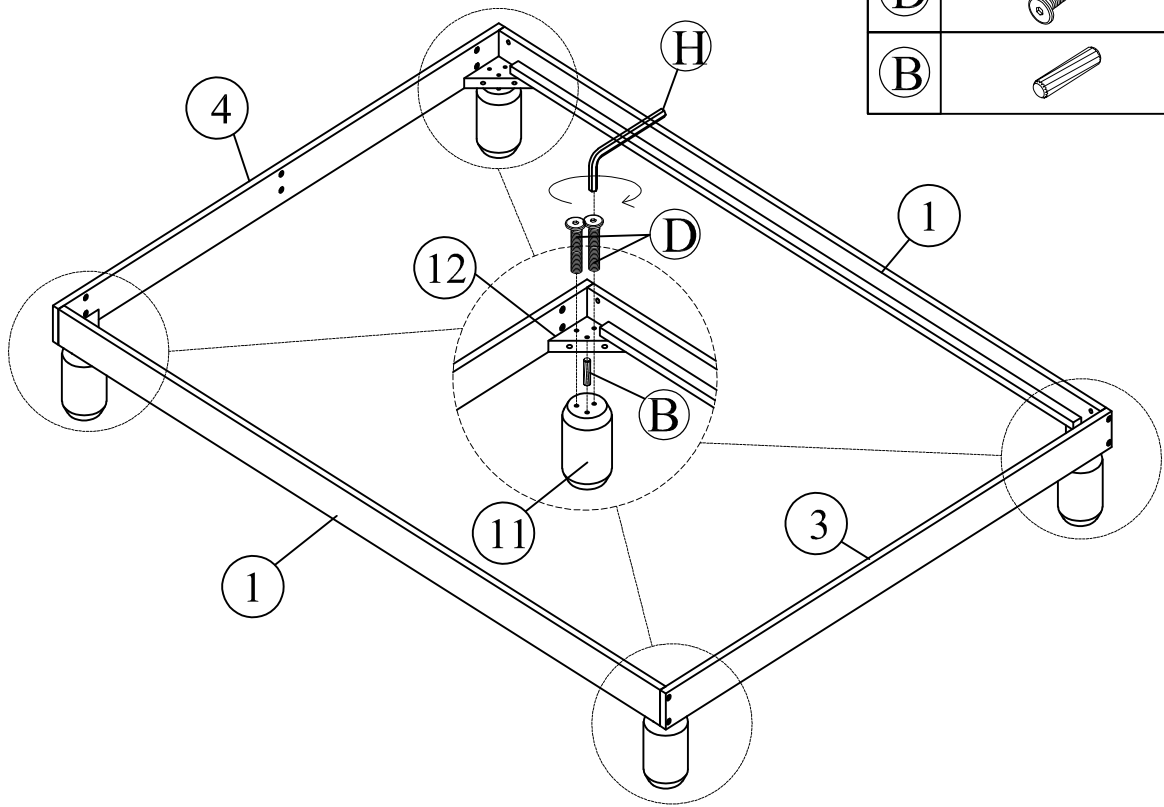


STEP 6:

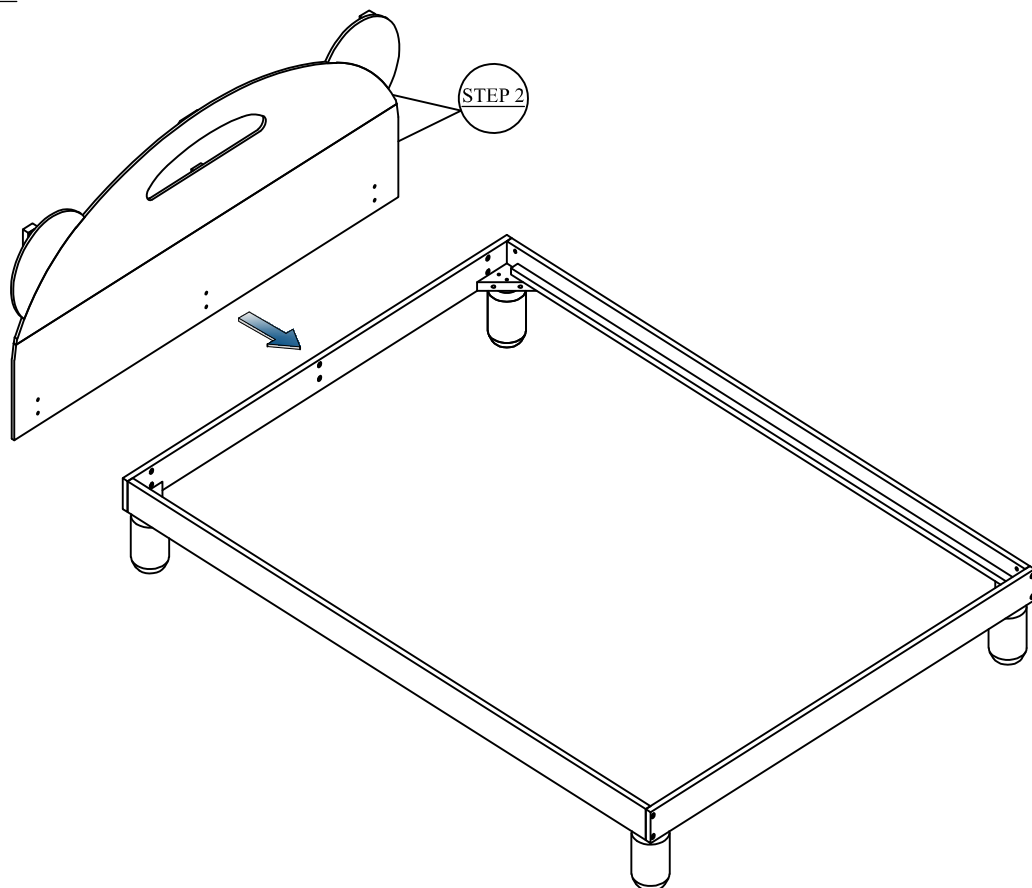


STEP 7:


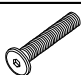
H		1pc
D		8pcs
B		4pcs

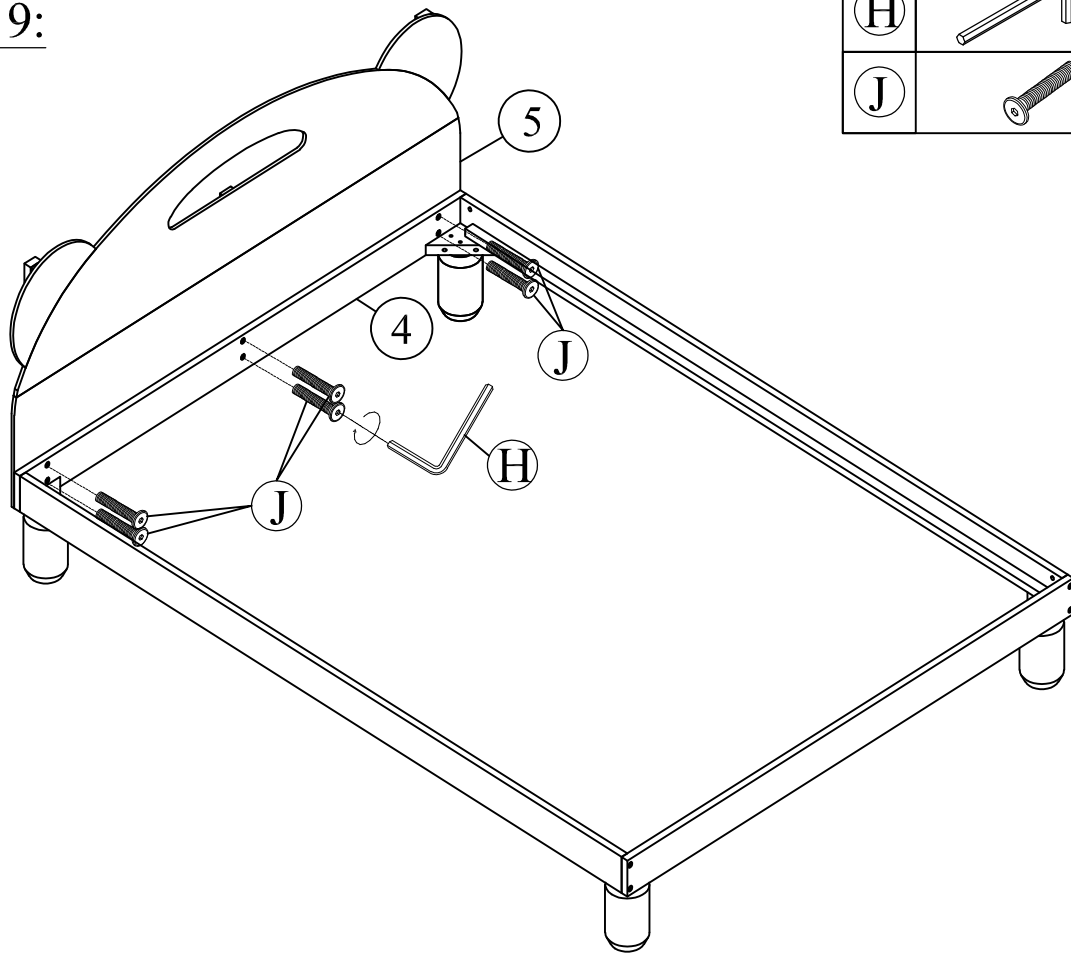


STEP 8:




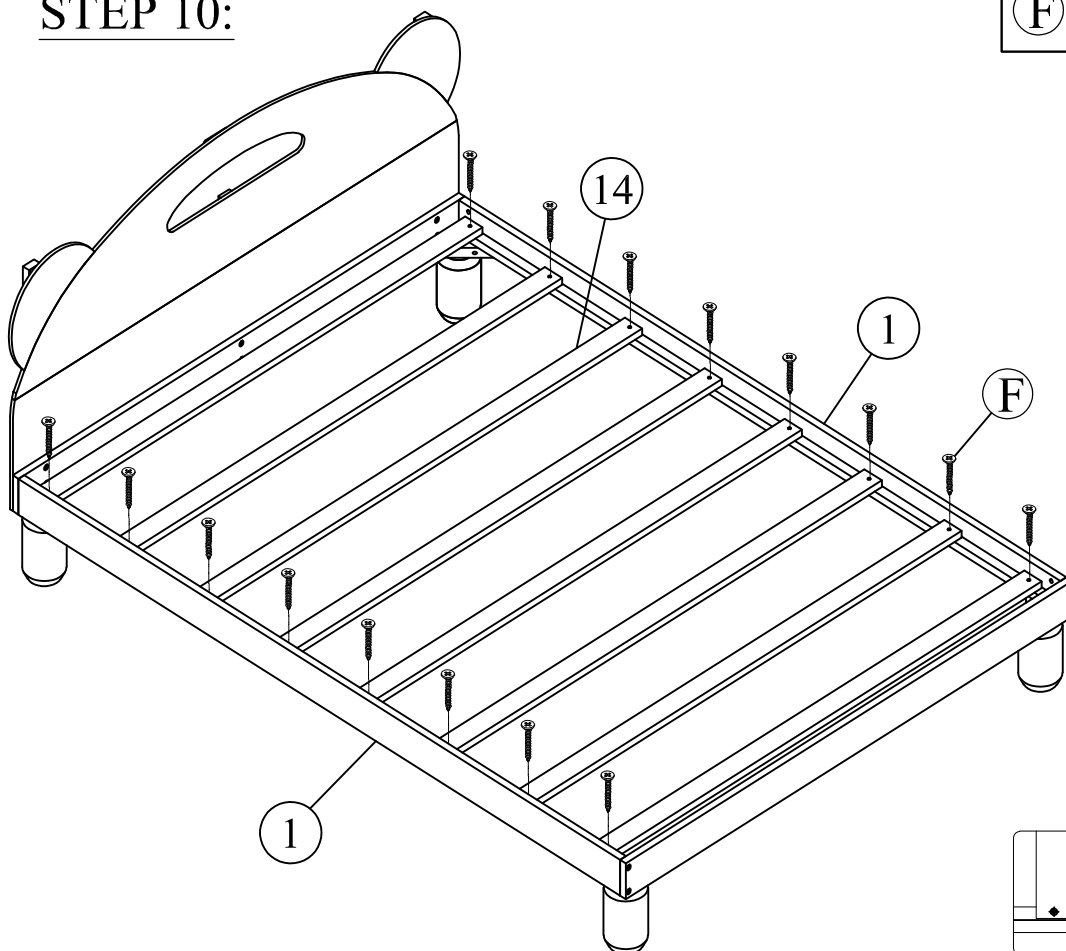
STEP 9:

H		1pc
J		6pcs



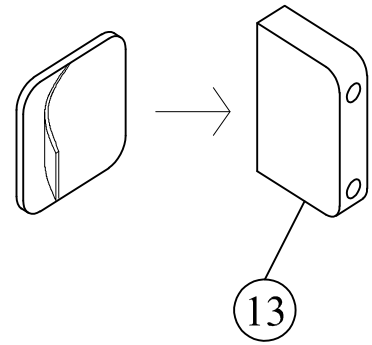
STEP 10:

F		16pcs
---	---	-------

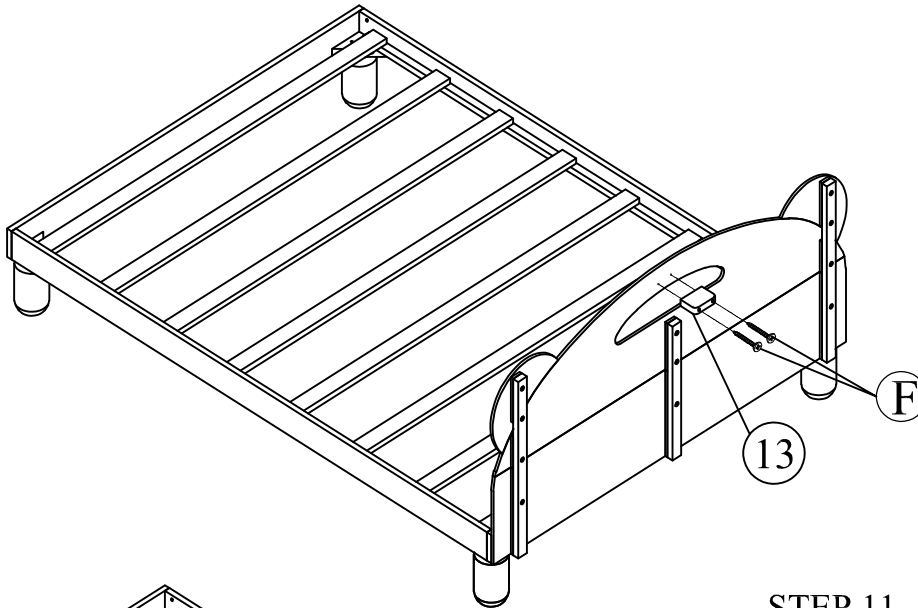
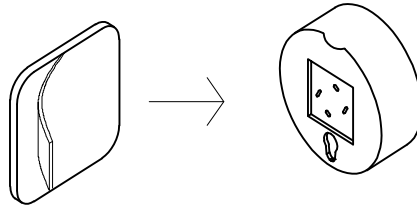


STEP 11:

STEP 11 -2:
Peel of the rubber,stick it on the underside of number 13

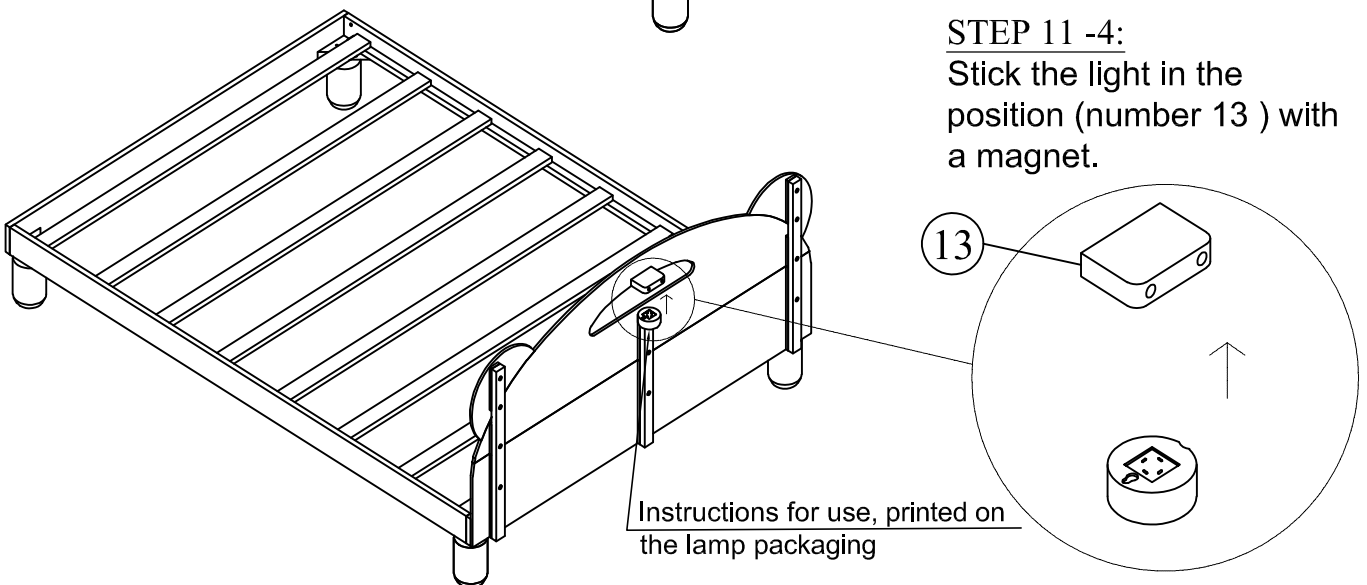


STEP 11 -2:
Peel of the rubber,stick it on the underside of the lamp.



STEP 11 -3:

STEP 11 -4:
Stick the light in the position (number 13) with a magnet.



Instructions for use, printed on the lamp packaging

I		1pc
F		2pcs

FINAL:

