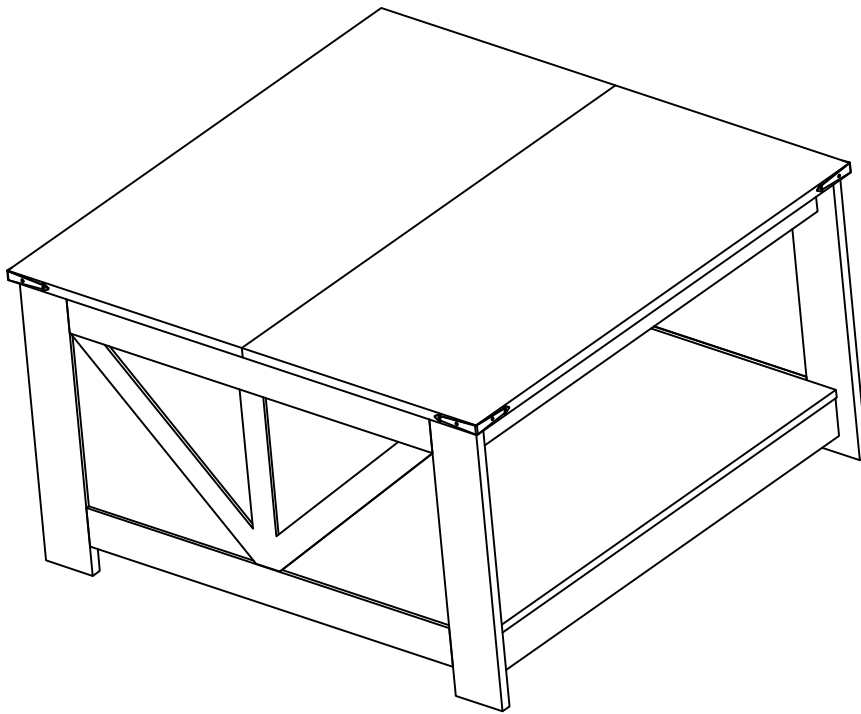


## ASSEMBLY INSTRUCTIONS





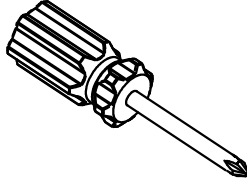
---



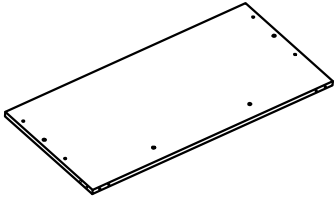
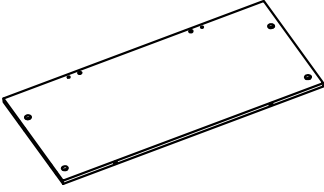
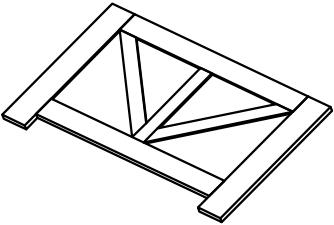
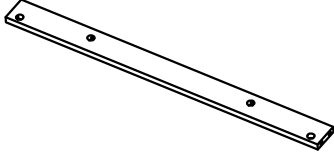
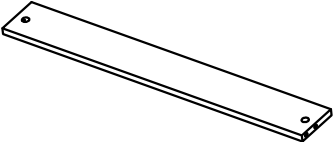
### Notice:

1. Please unbox the item from the side with an open label and put a carpet on the floor to avoid scratching it.
2. Follow the installation instructions carefully. Before installation, please ensure that all accessories are present. For large items, we advise you to install them with 2 or more people for faster and safe installation.
3. Do not fully tighten the screws during initial assembly. Fully tighten the screws only once all pieces are correctly assembled. Do not assemble with high-powered power tools.
4. Do not stand, climb, or swing on the product.
5. If you encounter any problems during installation, please contact our customer service.

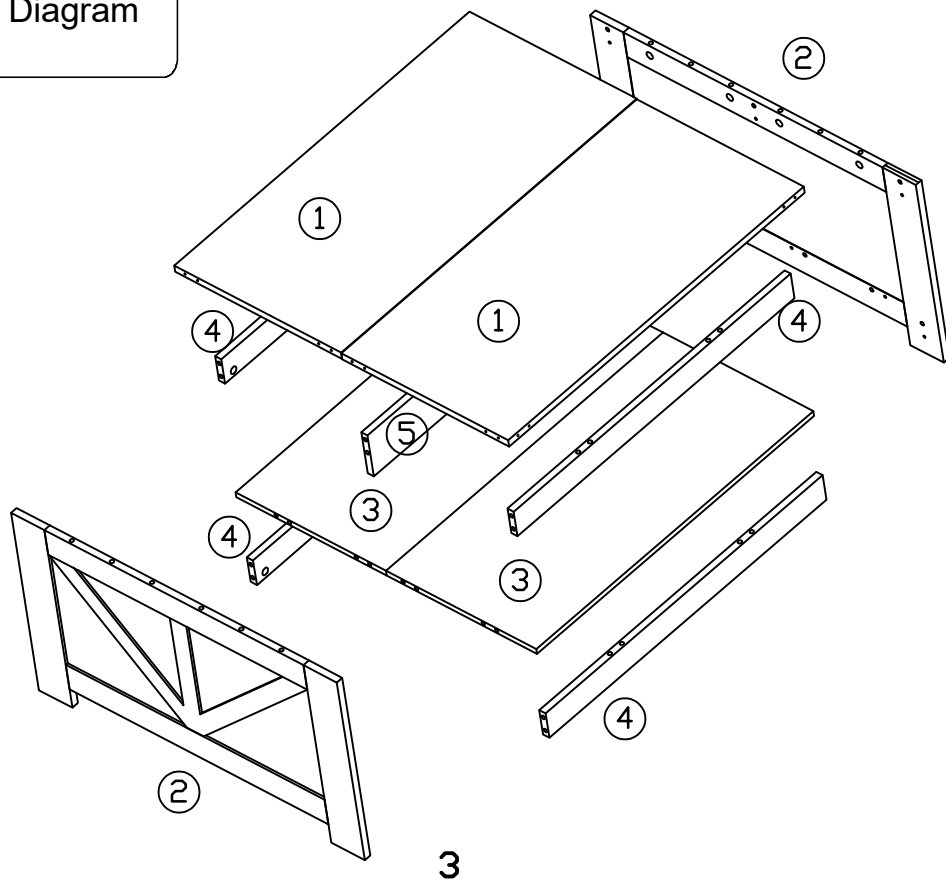
## ASSEMBLY INSTRUCTIONS

Item no.	Reference Image	Qty.	Item no.	Reference Image	Qty.
Ⓐ	 M6×40	X35	Ⓔ	 Ø8×30	X27
Ⓑ		X35	Ⓕ	 Ø6×30	X12
Ⓒ		X1			

## ASSEMBLY INSTRUCTIONS



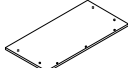

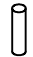

Item no.	Reference Image	Qty.	Item no.	Reference Image	Qty.
①		X2	③		X2
②		X2	④		X4
			⑤		X1

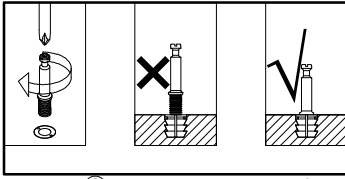
Explosion Diagram



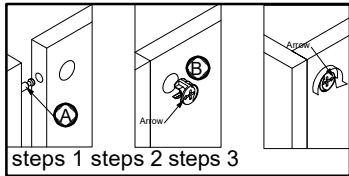
# ASSEMBLY INSTRUCTIONS

**1**

					
Ⓐ 4pcs	Ⓑ 4pcs	Ⓒ 2pcs	Ⓓ 2pcs	Ⓔ 4pcs	Ⓕ 2pcs

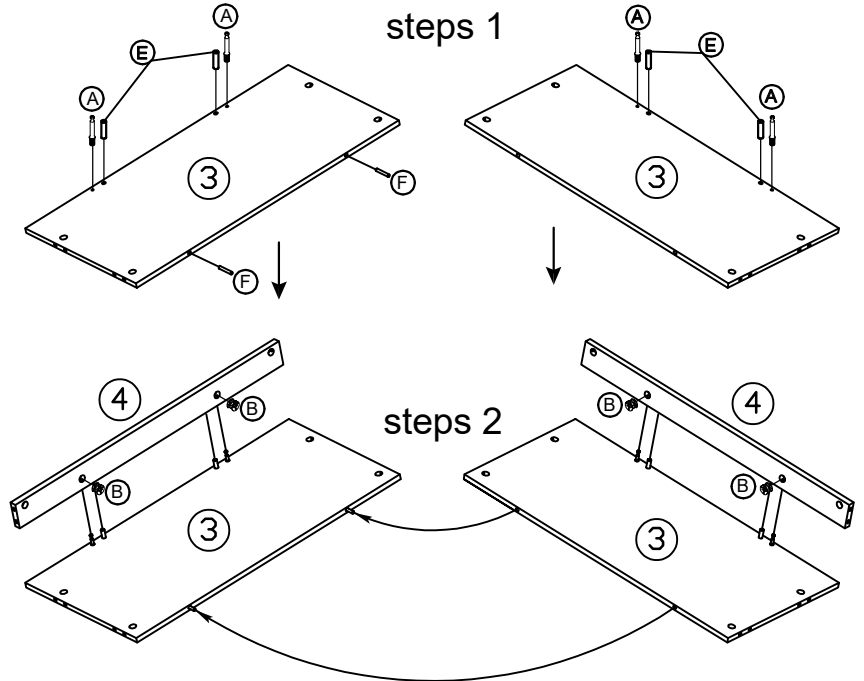


Tighten Ⓐ clockwise until all of their threads are engaged.








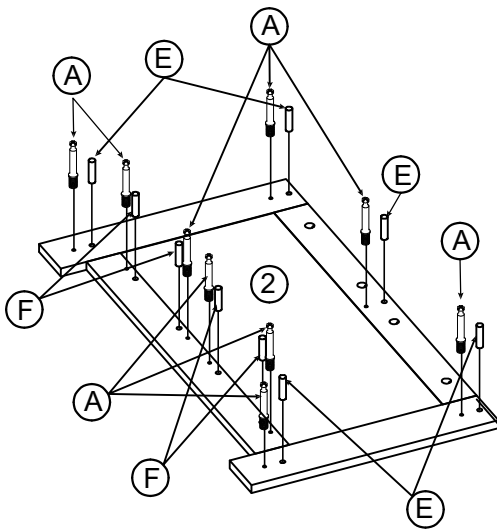
steps 1 steps 2 steps 3

The two boards fit vertically, place Ⓑ and match their holes with Ⓐ then tighten Ⓑ clockwise.

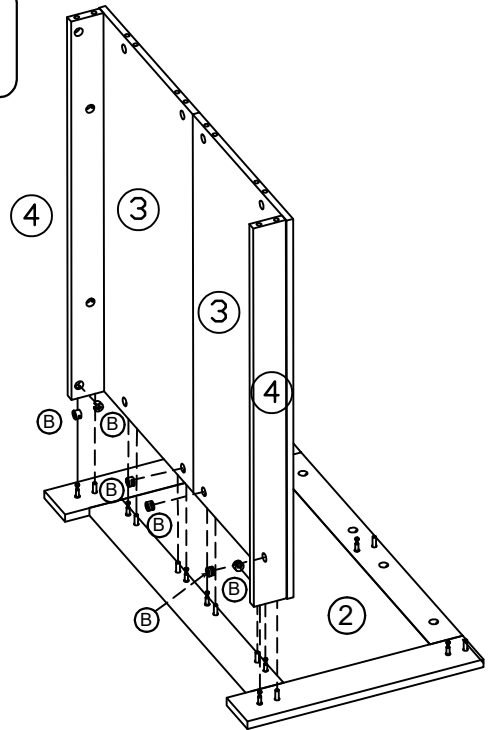


**2**

				
Ⓐ 9pcs	Ⓑ 6pcs	Ⓒ 1pcs	Ⓔ 5pcs	Ⓕ 4pcs


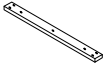



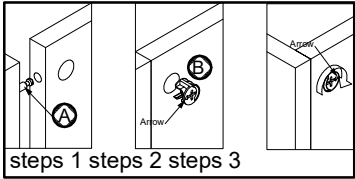
steps 1



steps 2

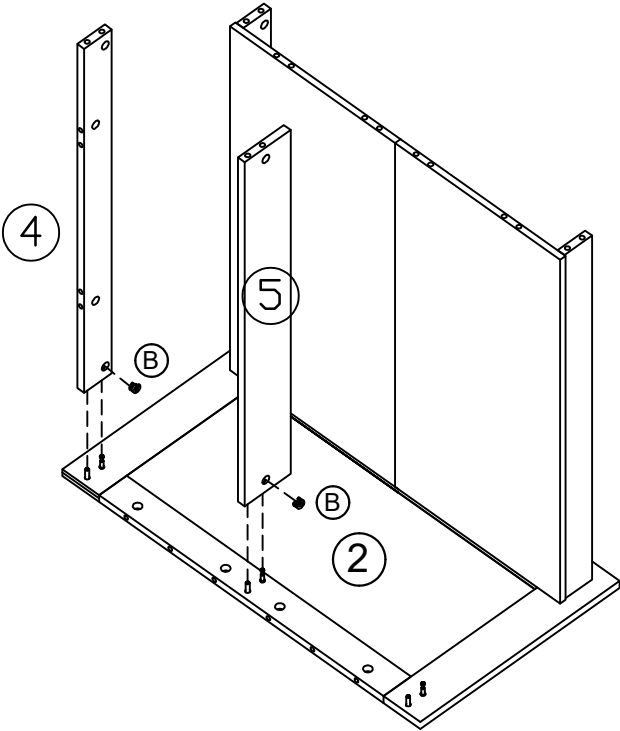
**ASSEMBLY INSTRUCTIONS**

<b>3</b>			
	Ⓑ 3pcs	④ 2pcs	⑤ 1pc

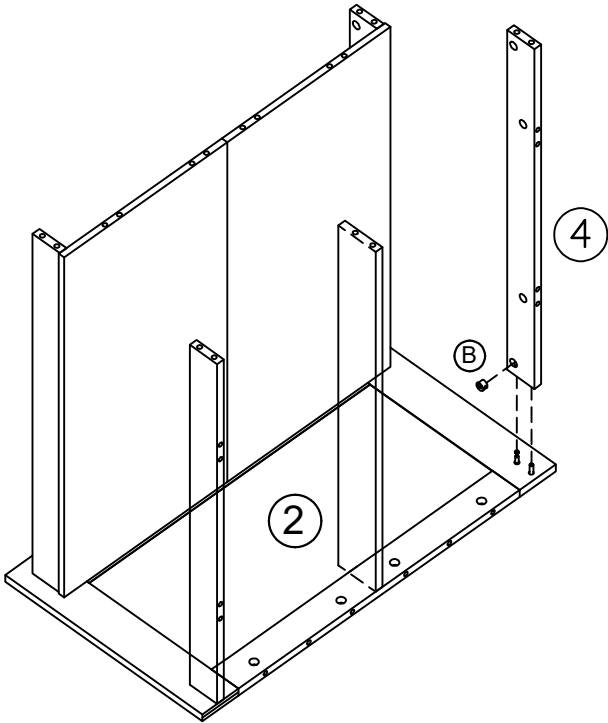


The two boards fit vertically, place Ⓑ and match their holes with Ⓐ then tighten Ⓑ clockwise.

steps 1

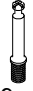



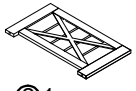


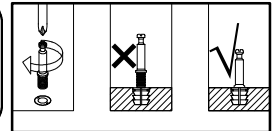
steps 2



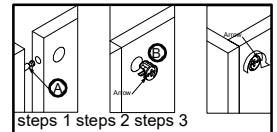
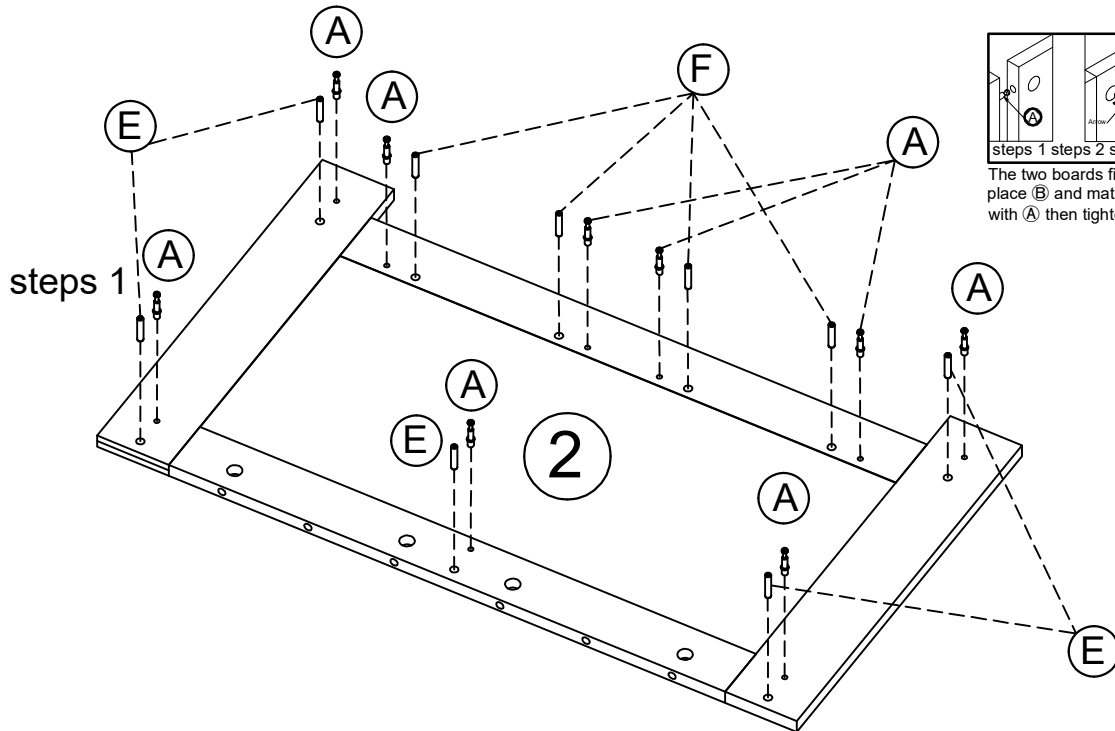
# ASSEMBLY INSTRUCTIONS

**4**

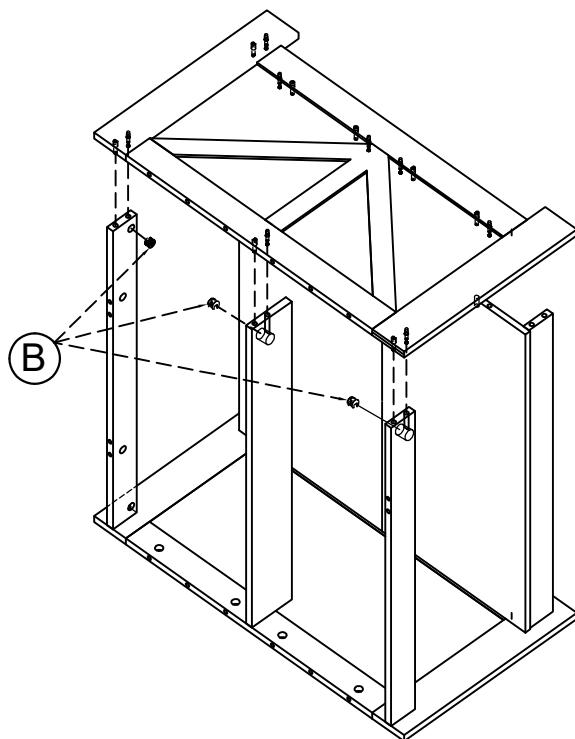
				
(A) 9pcs	(B) 9pcs	(E) 5pcs	(F) 4pcs	(2) 1pcs



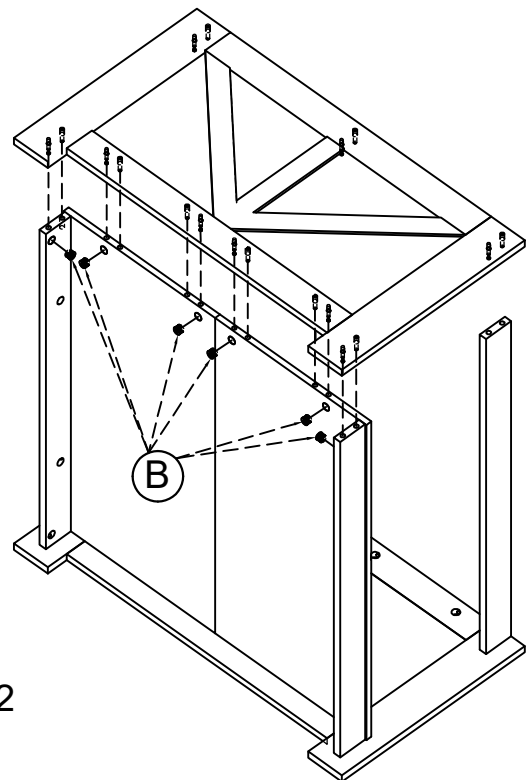
Tighten (A) clockwise until all of their threads are engaged.





The two boards fit vertically, place (B) and match their holes with (A) then tighten (B) clockwise.



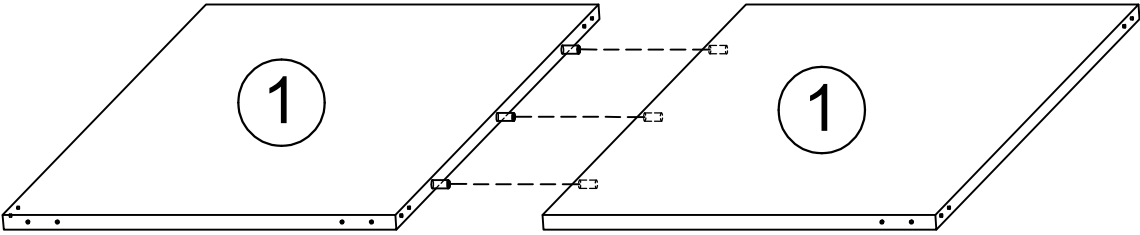
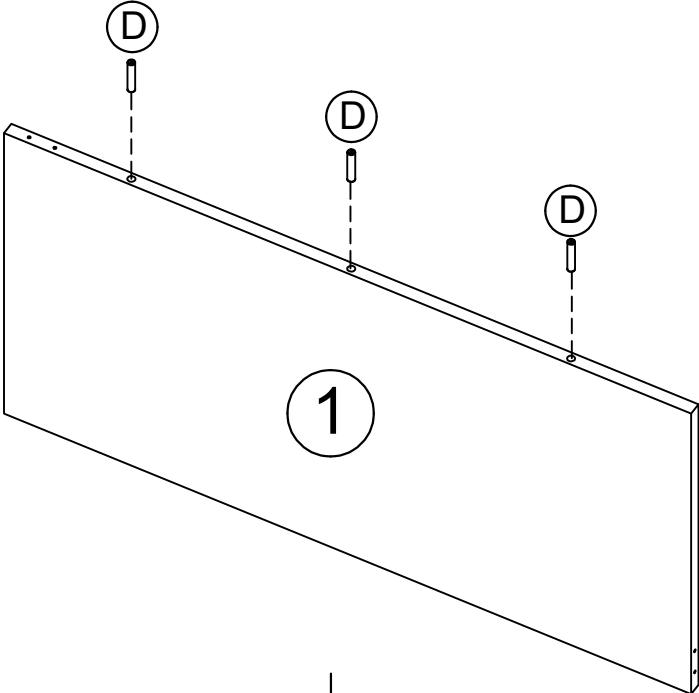
steps 2




ASSEMBLY INSTRUCTIONS

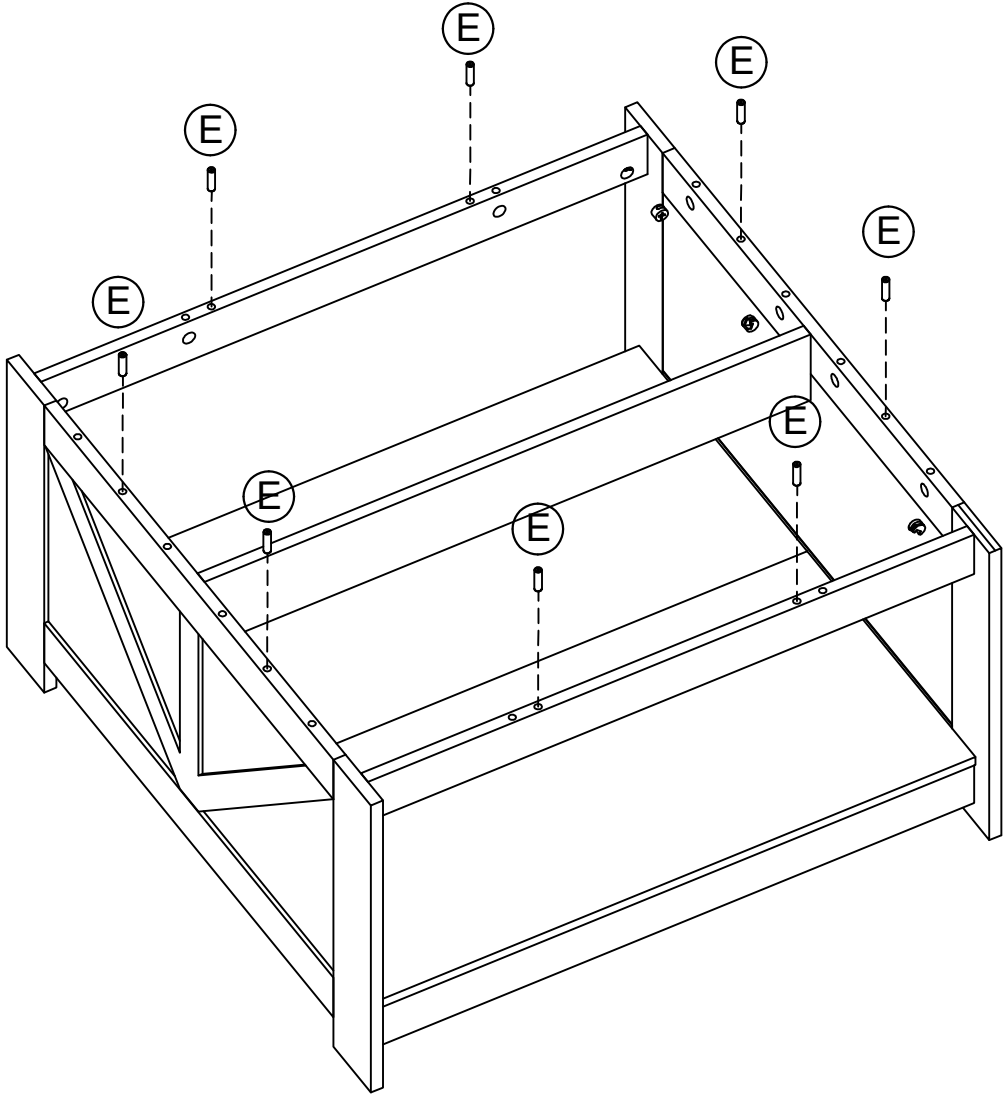
<b>5</b>	 E 3pcs	 ① 2pcs
----------	---	---

steps 1




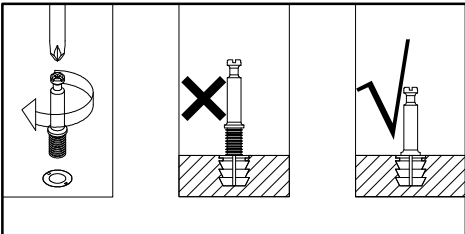
steps 2

<b>6</b>	 ⓔ 8pcs
----------	---

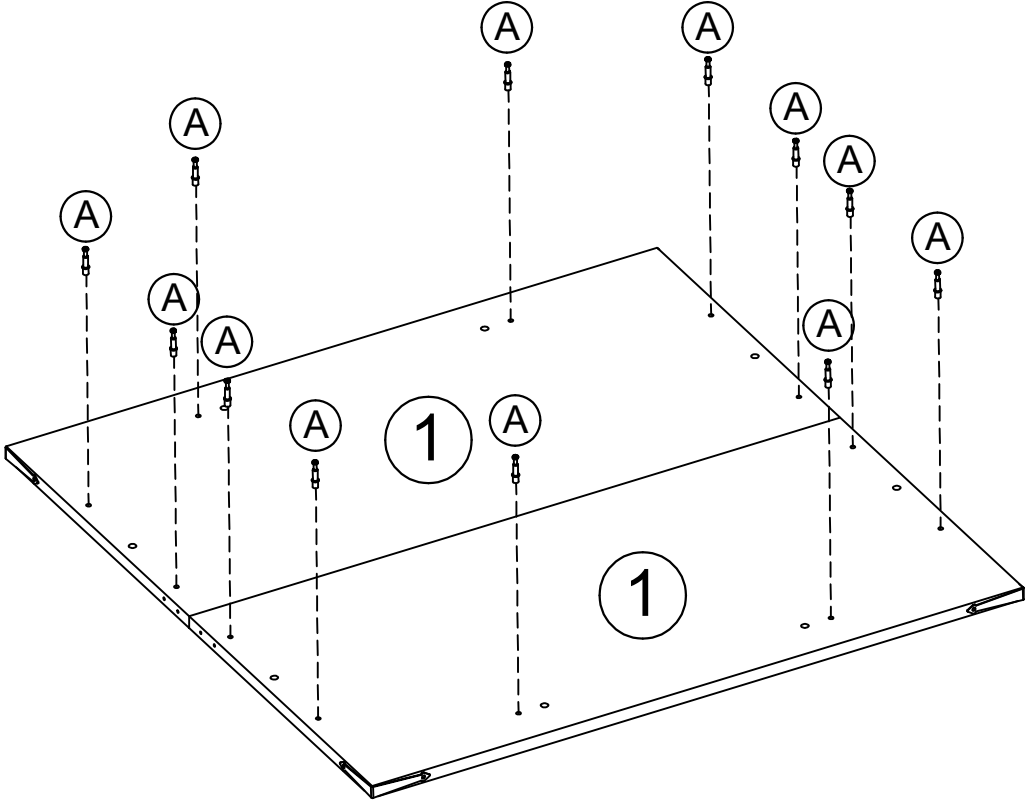


**ASSEMBLY INSTRUCTIONS**


**7**  **A** 12pcs **1** 2pcs

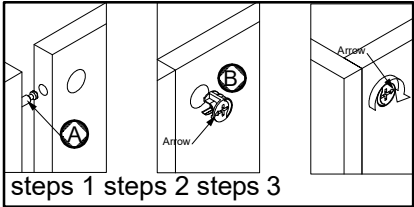


Tighten **A** clockwise until all of their threads are engaged.

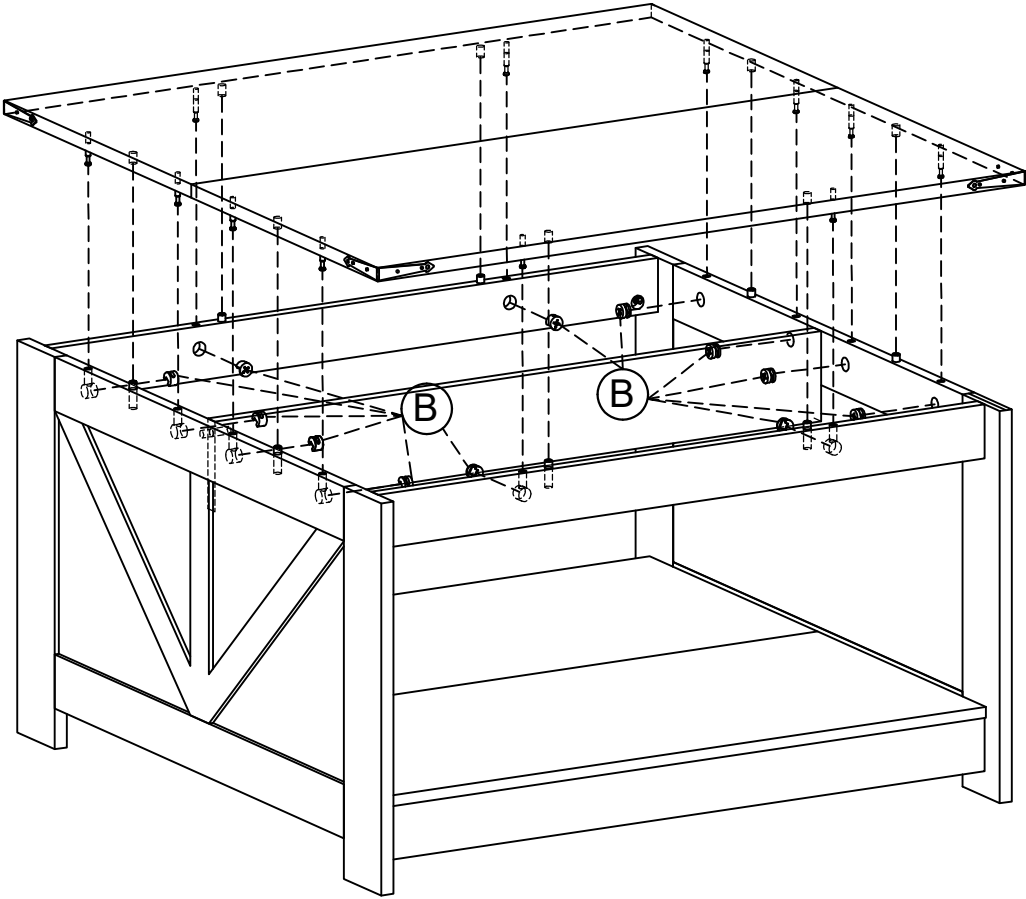


**ASSEMBLY INSTRUCTIONS**

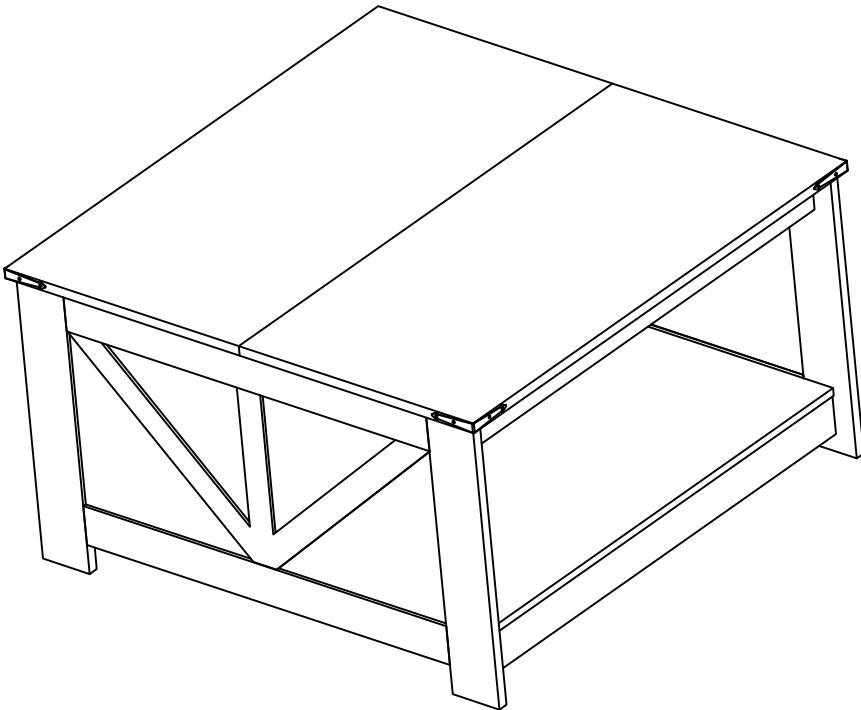
<b>8</b>	 Ⓑ 12pcs
----------	--



The two boards fit vertically, place Ⓑ and match their holes with Ⓐ then tighten Ⓑ clockwise.



9



Instllation Completed