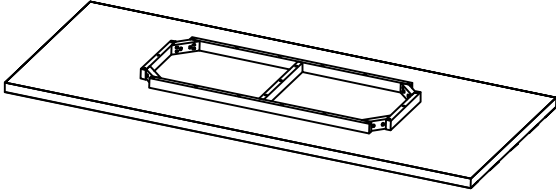


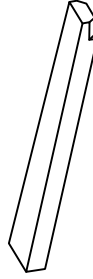
ASSEMBLY INSTRUCTION

MODEL: 96" DINING TABLE

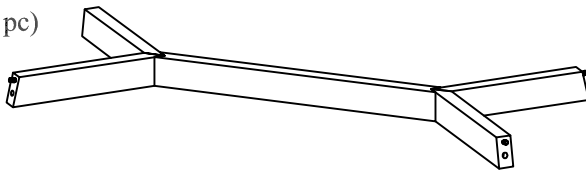
① Top Table (1pc)



② Legs (4pcs)



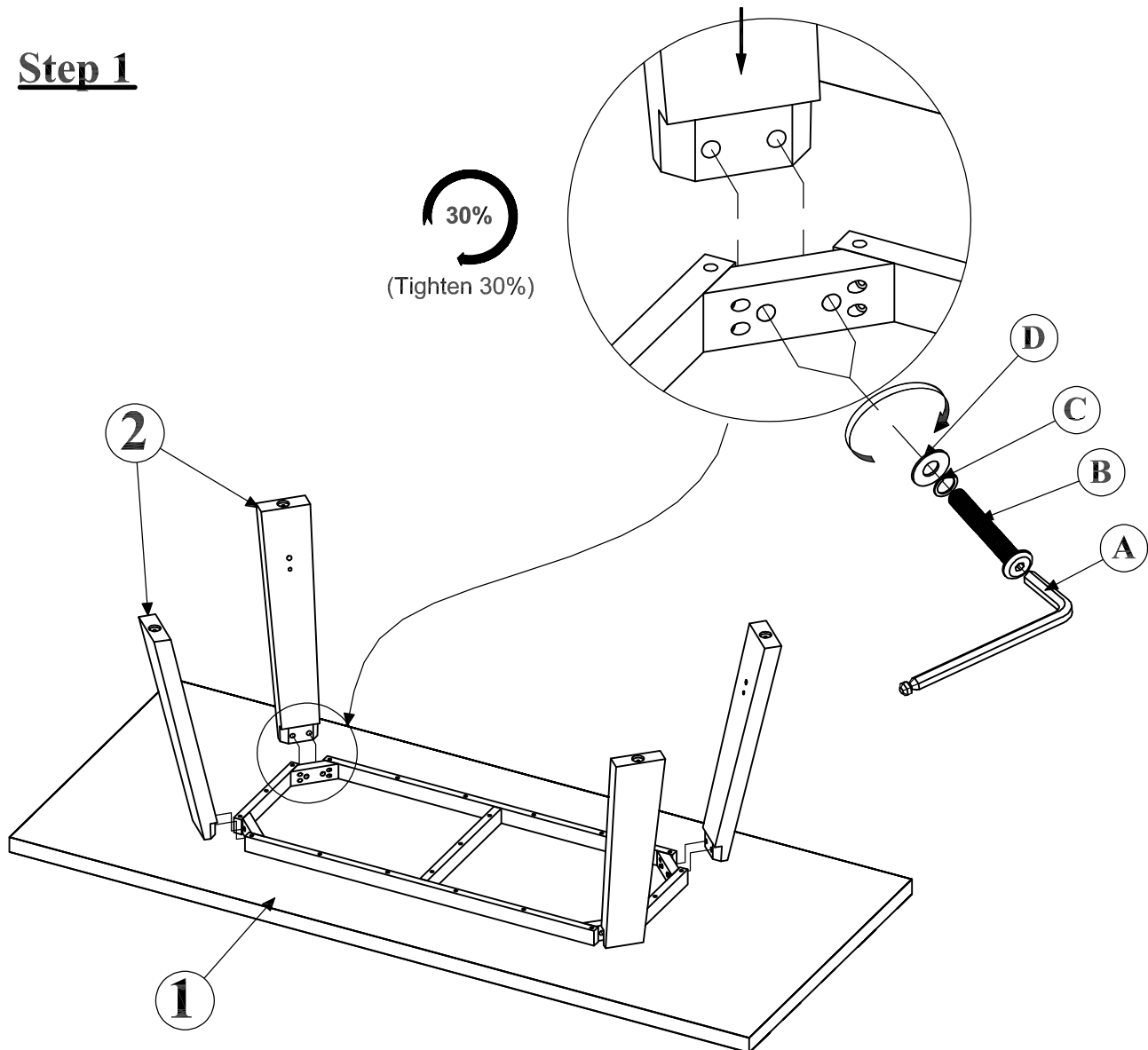
③ Conect Legs (1pc)



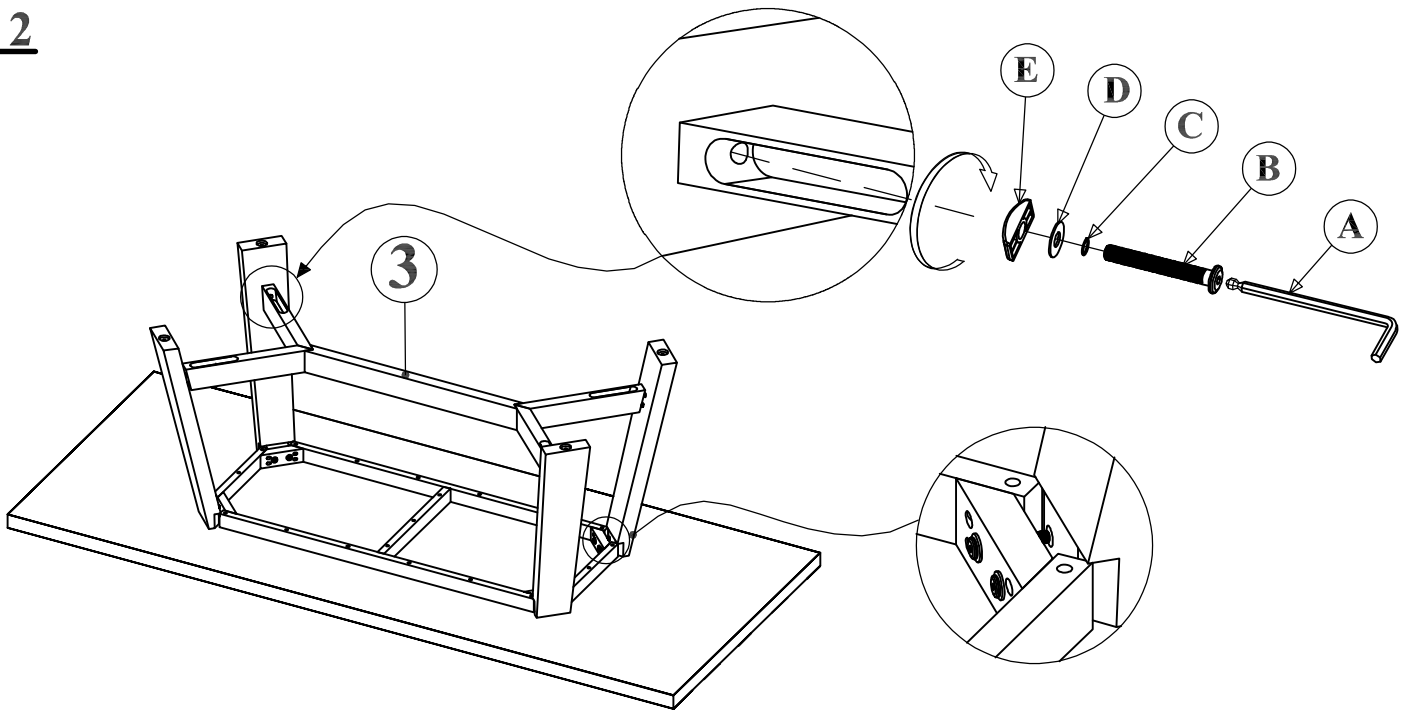
HARDWARE CHECK LIST

No.	Shape	Specification	Q.ty
A		Allen Key K4x110	01 Pc
B		Allen Head Bolts M8 x 60 mm	12 Pcs
C		Lock Washer Ø8 mm	12 Pcs
D		Washer Ø8 x Ø19 mm	12 Pcs
E		Halfmoon Washer Ø8	04 Pcs

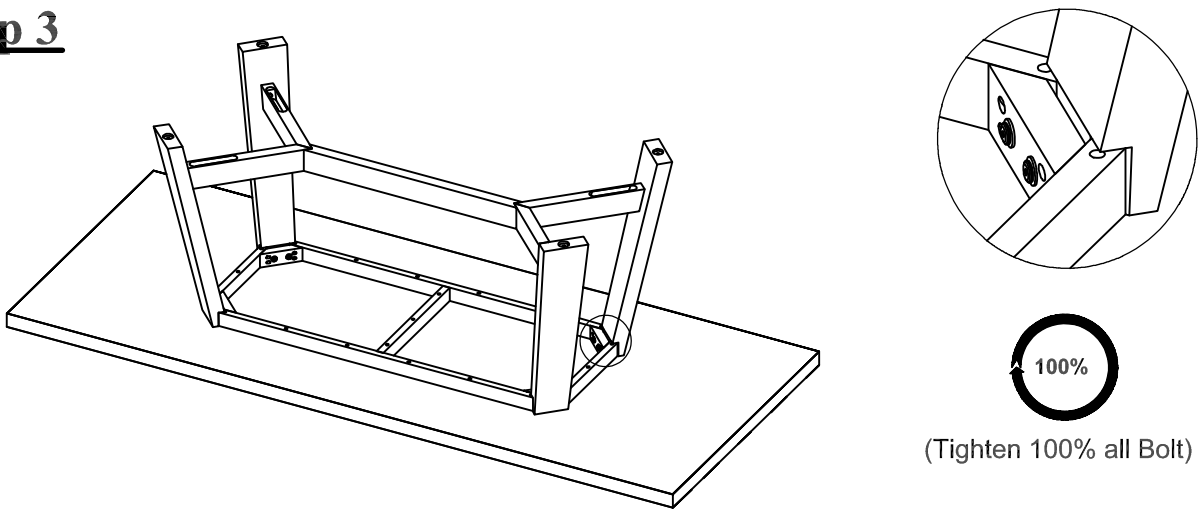
Step 1



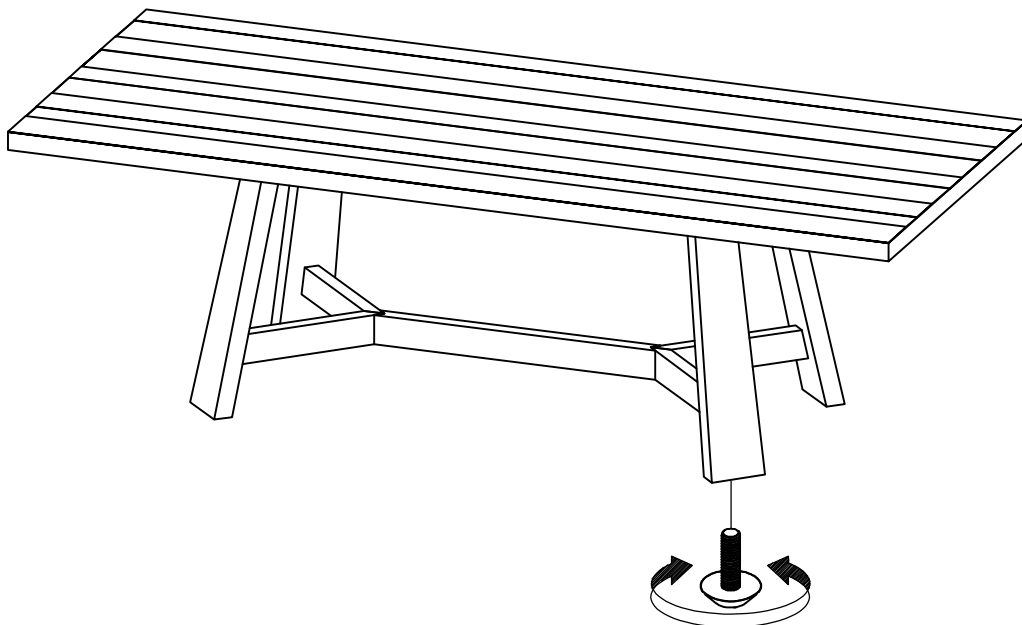
Step 2



Step 3



Finish



ADJUST LEVELER
FOR BALANCE