

## CARE AND MAINTENANCE

Spot clean using a mild water-free solvent. Only a professional cleaner should undertake a complete overall cleaning.

The use of steam or water-based cleaners may cause excessive shrinking or staining.







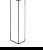
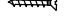





## NOTICE

\* Please make sure that you have all parts indicated before you begin assembly of this item

\* This item should be assembled on a soft surface to prevent scratching the finish during assembly

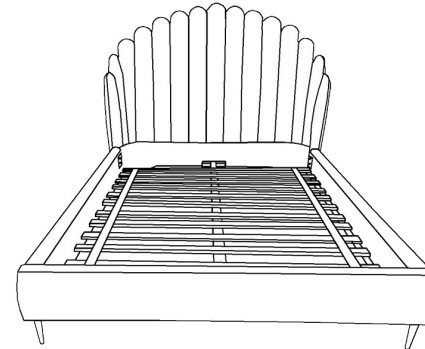
\* This item may require periodic tightening

## Part List and Hardware List

PIECE	DESCRIPTION	PICTURE	QUANTITY
A	Headboard		1X
B	Footboard		1X
C	Sideboard(L&R)		2X
D	Bed Legs		4X
E	Slat		1X
F	Cross Slat		1X
G	Support Leg for Cross Slat		2X
HW1	Phillips Screws 4*2*40MM		9X
HW2	Socket Screws 8*1.25*30MM		12X
HW3	Split Lock Washer(M8)		12X
HW4	Flat Washer(M8)		12X
HW5	Allen Key		1X
HW6	Wrench		1X

Dimensions: 69.7"WX 87"D X 57.9"H

Weight Capacity: 825 lbs



**WARNING: DO NOT STAND ON BED**

**WARNING: DO NOT OVER TORQUE BOLTS/SCREWS**

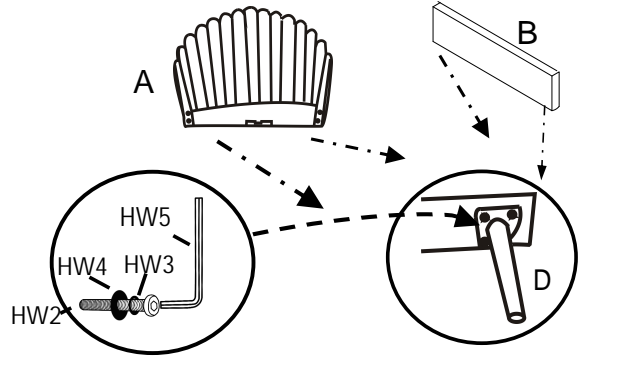
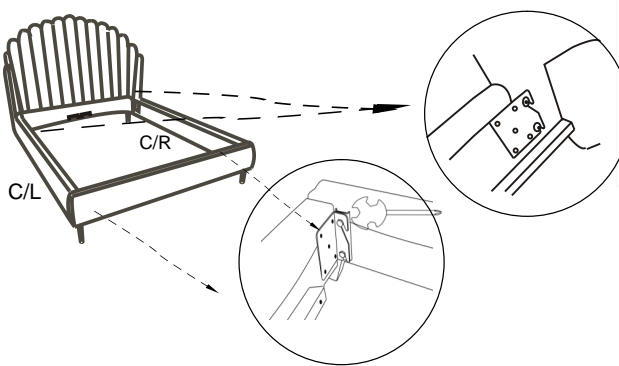
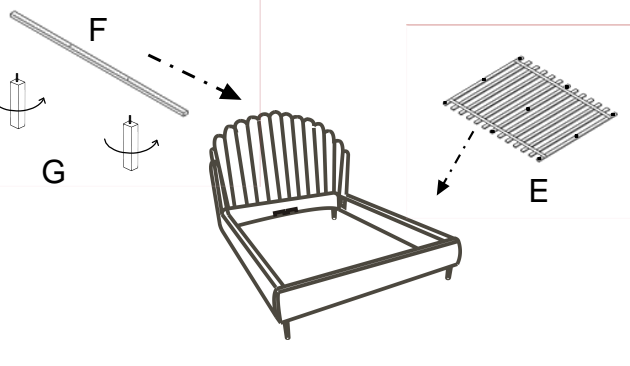
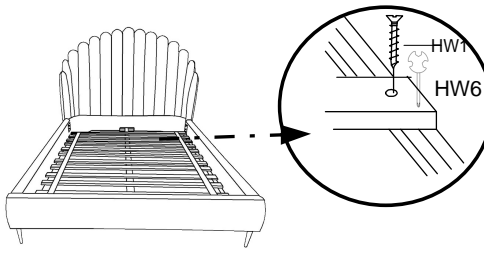
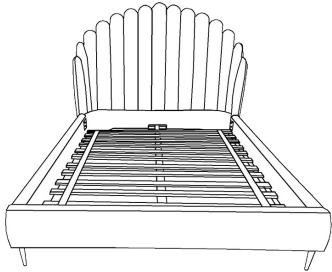
**The legs and hardware are located inside the sideboard&slat boxes.**

## PREARATION

Before beginning assembly of product, make sure all parts are present. Compare parts with package contents list and hardware contents list.  
If any part is missing or damaged, do not attempt to assemble the product.

Estimated Assembly Time: 15minutes.

Tools Required for Assembly (included): Allen key/wrench

		
<p><b>STEP1</b> Attach bed legs D with headboard A and footboard B by using Allen key HW5 and hardware HW2, HW3, HW4 as shown, tighten until secure.</p>	<p><b>STEP2</b> Attach the sideboard C with headboard A and footboard B by sliding the iron plates onto the bolts, the metal card should be alignment card slot when install it, then press it lightly. Reminder: If it's hard to install, you can rotate out the bolts first, and then put the iron plates here before tighten.</p>	<p><b>STEP3</b> Rotate the slat legs G to the middle rod F of slat E. Put it inside the middle of the bed, And then, smooth the slat E inside the bed</p>
		
<p><b>STEP4</b> Secure the slat with screw HW1 by using wrench HW6. There are totally 9 holes on slat to make sure it stable, it's shown in step 3.</p>	<p>It's finished as shown, Your Bed is ready for use.</p>	

**The legs and hardware are located inside the sideboard&slat boxes.**