

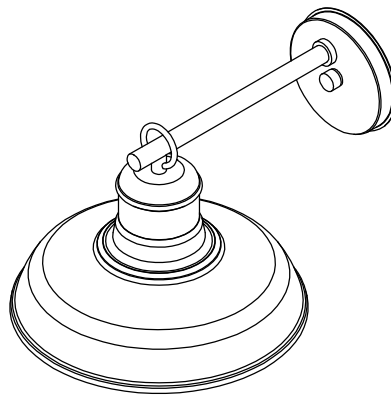
ASSEMBLY AND INSTALLATION INSTRUCTIONS

WARNING: TO AVOID RISK OF ELECTRICAL SHOCK, BE SURE TO SHUT OFF POWER WHILE INSTALLING OR SERVICING THIS FIXTURE.

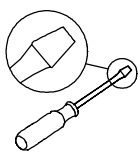
NOTES:

1. Before installing, consult local electrical codes for wiring and grounding requirements.
2. Read and save these instructions.
3. Always switch off the electricity supply and allow to cool for 10 minutes before changing the light bulbs.

1-LIGHT WALL SCONCE



TOOLS REQUIRED



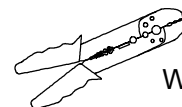
Flathead
Screwdriver



Phillips
Screwdriver



Ladder



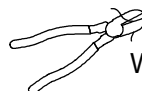
Wire Strippers



Pliers



Electrical
Tape



Wire Cutters



Safety Glasses

PREPARATION

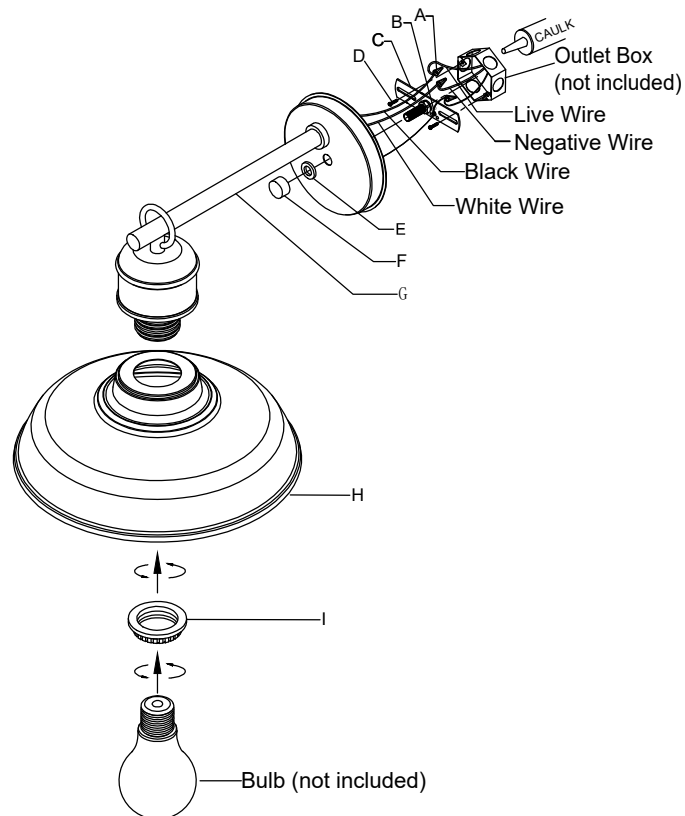
Before beginning assembly of product, make sure all parts are present. Compare parts with package contents list and hardware contents list. If any part is missing or damaged, do not attempt to assemble the product. When the lamp is not installed finish, please don't throw away the package, so as not to leave the parts in the package.

PART LIST AND HARDWARE LIST

PIECE	DESCRIPTION	QUANTITY
A	Wire nut	3
B	Green ground screw	1
C	Mounting plate	1
D	Outlet box screw	2
E	Rubber Pads	1
F	Decorative Nuts	1
G	Fixture body	1
H	Shade	1
I	Locking Ring	1

INSTALLATION

1. Attach the Mounting plate (C) to the junction box with outlet box screw (D) then fix it.
2. Loosen the lamp head ring (I), insert the lampshade (H) into the lamp head, and then lock it with the lamp head ring.
3. Install the maximum 60W A-type bulb (not included) onto the lamp head
4. Attach the supply circuit ground wire (green or bare copper wire) to the the fixture ground wire, black to (black) and white to (white).
5. Attach the fixture body(G)to the mounting plate(C)with Decorative Nuts(E.F).



If you have any issues with use this product, please email us. Be sure to include your order number and photos of the issues. This will help us provide you with faster support and solve your problem.