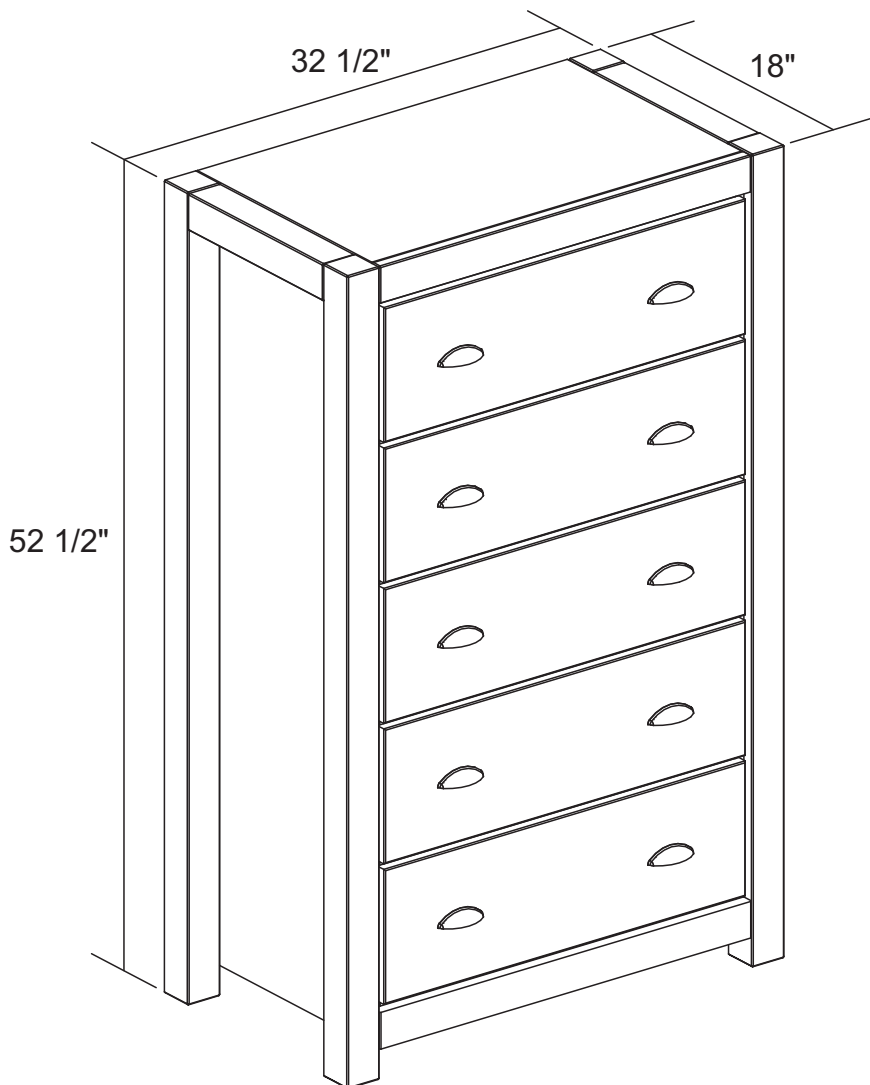


# Assembly Instructions

## Montauk Collection

### 5 Drawer Chest



Thank you for purchasing our furniture, it's an honor to be in your home!

Every effort has been made to ensure your Wood Furniture is of the finest quality. If you have any questions or need any replacement parts, please do not hesitate to contact us at [www.grainwoodfurniture.com](http://www.grainwoodfurniture.com).



[www.grainwoodfurniture.com](http://www.grainwoodfurniture.com)

				Model #	Finish
				MT0720	Rustic Grey
				MT0724	Driftwood

MADE IN BRAZIL

## PLEASE READ BELOW BEFORE BEGINNING YOUR ASSEMBLY

Here are some tips on assembling your flat-pack furniture in order to minimize your assembly time and frustrations:

- Do Not throw away packaging material until assembly is complete.
- Assemble the item on a soft surface, such as cardboard or old blanket, to protect finish from possible dents or scratches.
- Choose a spacious, open area near where the piece will be located. It is easier to move parts than to relocate the furniture after it is fully assembled, depending on its size and weight.
- Organize everything and count it twice. If you organize the items by parts, you'll find it much easier to grab each piece as you build.
- Real Wood furniture may present imperfections such as wood knots, minor splits or cracks that are part of the natural aspect of the material. In few cases, also can be caused by variations of air moisture and temperature. Whenever stability of the piece of furniture is not compromised we recommend customers to perform cosmetic touch-ups by wax crayon fillers sold at all major hardware stores.
- It is best to use any tools the kit provides, such as a hex key, because they may be specially sized for that piece of furniture. We do not recommend the use of power drill, it can damage your furniture if not used correctly.
- Read the entire list of instructions, arranging your parts in order of use as you go.
- Finally, Enlist a help from friends and family since proper assembly of most items require 2 people.

### **Wood Furniture Care:**

- *Clean with a cloth dampened with water or furniture polish following the pattern of the grain.*
- *Do NOT use solvents such as alcohol for cleaning.*
- *Avoid placing under direct sun light, to prevent UV damage.*
- *Avoid positioning very close to heaters or AC vents.*
- *Hot pads should always be used when placing warm serving dishes on your furniture.*
- *Very hot items such as a sauce pan or baking dish should never be placed on a tabletop, even with a hot pad.*
- *Place mats will help to protect the finish from dishes and silverware, and coasters will help protect your furniture from moisture.*

Enjoy your Real Wood Furniture!

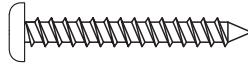





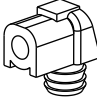
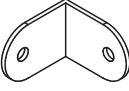
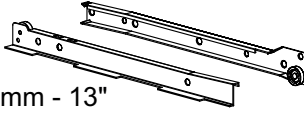
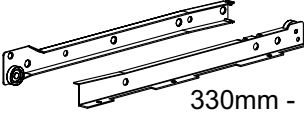


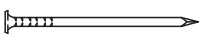
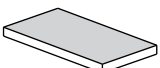



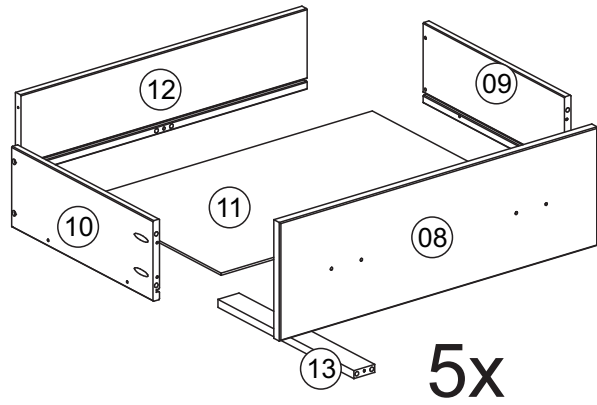
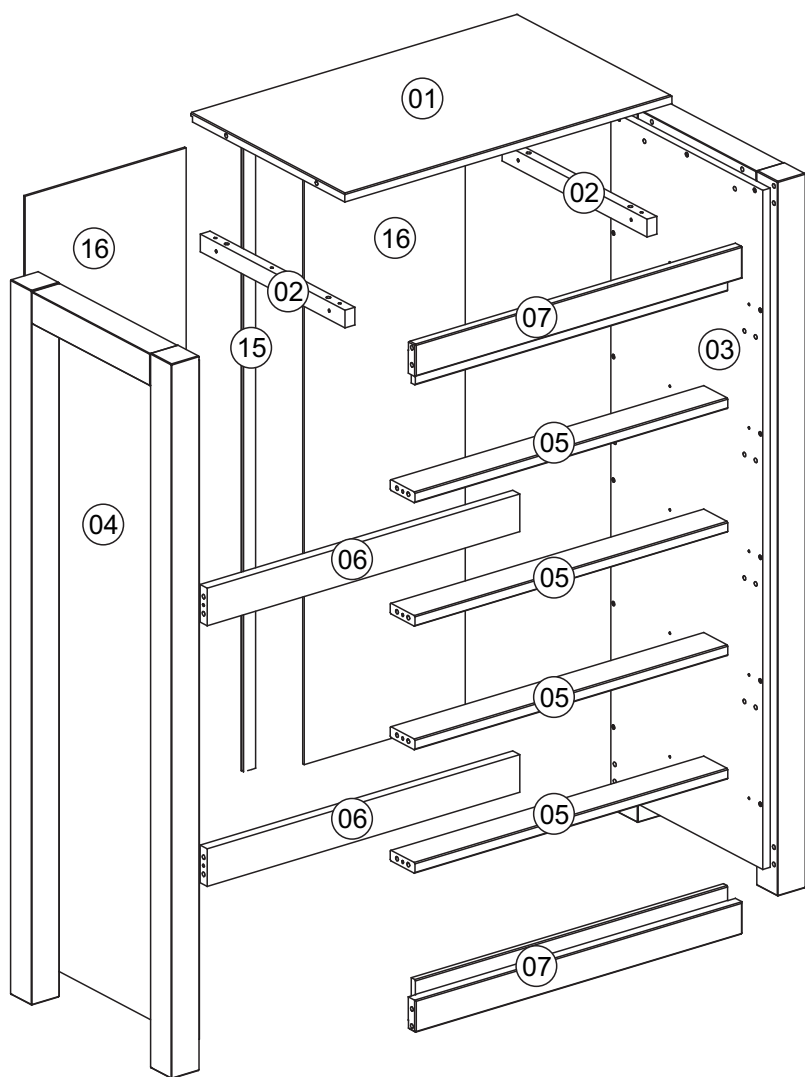
# ! ATTENTION

Before starting assembly please verify if the hardware set is complete.

For missing hardware please contact us at [www.grainwoodfurniture.com](http://www.grainwoodfurniture.com)

## HARDWARE LIST

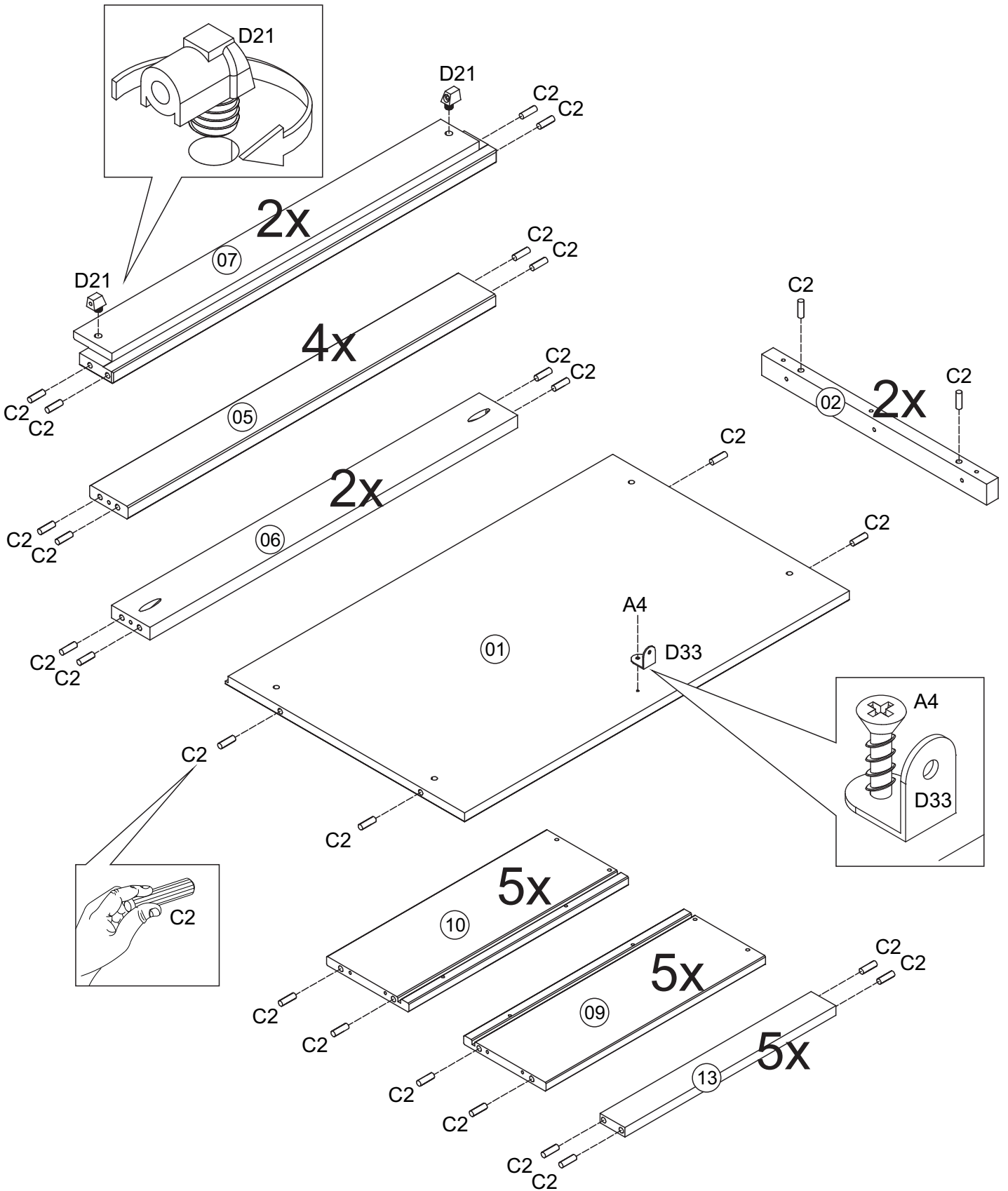
A1	 4,0x30	66 + 2
A4	 3,5x14	24 + 2
A15	 M4x22	20 + 2
A34	 4,0x45	12
B31	 6,0x10	40 + 2
C2	 8,0x25	80 + 2
D21		04
D33		01
E13	 330mm - 13"	05
E14	 330mm - 13"	05
F8		02
F9		01
G1	 10x10	28 + 2
G11		04
H6		10







### Parts list

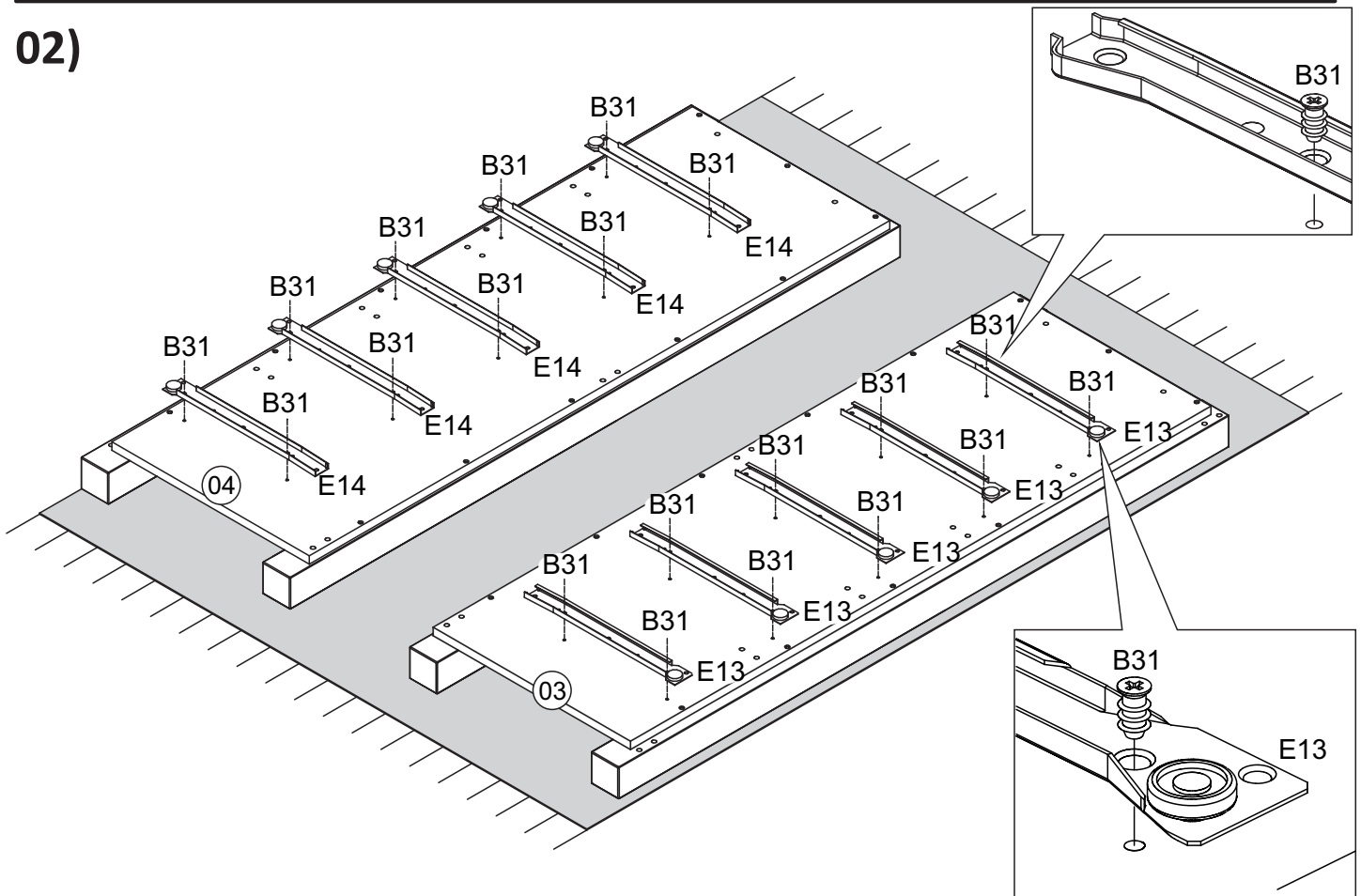
Box 1			Box 2		
Part #	Description	qty	Part #	Description	qty
01	Top	1	03	Left side	1
02	Cleat	2	04	Right side	1
05	Middle crosspiece	4	09	Drawer right side	5
06	Rear Crosspiece	2	10	Drawer Left side	5
07	Upper / Lower crosspiece	2	12	Drawer back	5
08	Drawer front	5	15	Profile "H"	1
11	Drawer bottom	5		Hardware	1
13	Drawer bottom support	5			
16	Back panel	2			

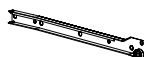

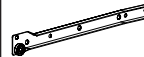
01)



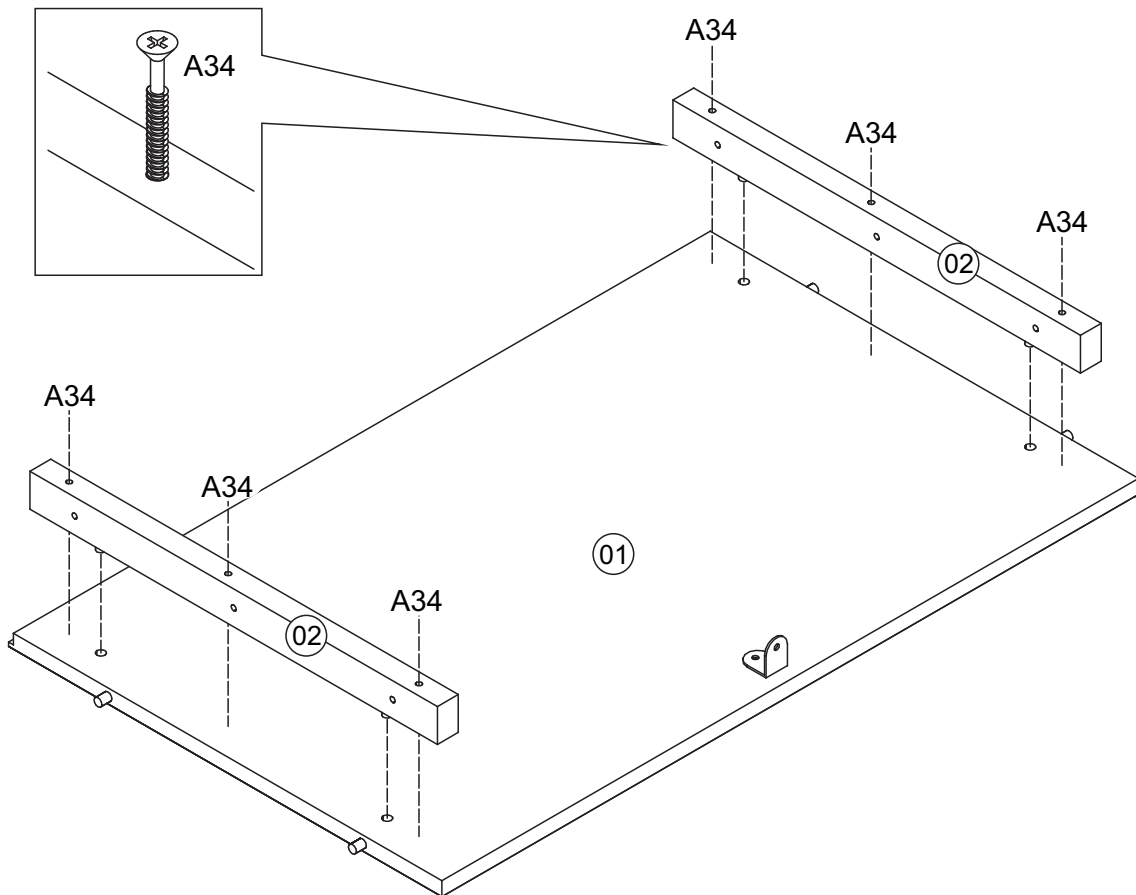
A4		3,5x14	01	C2		8,0x25	80	D33		01
								D21		04


02)



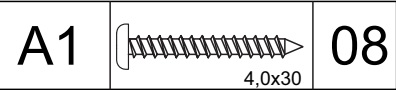
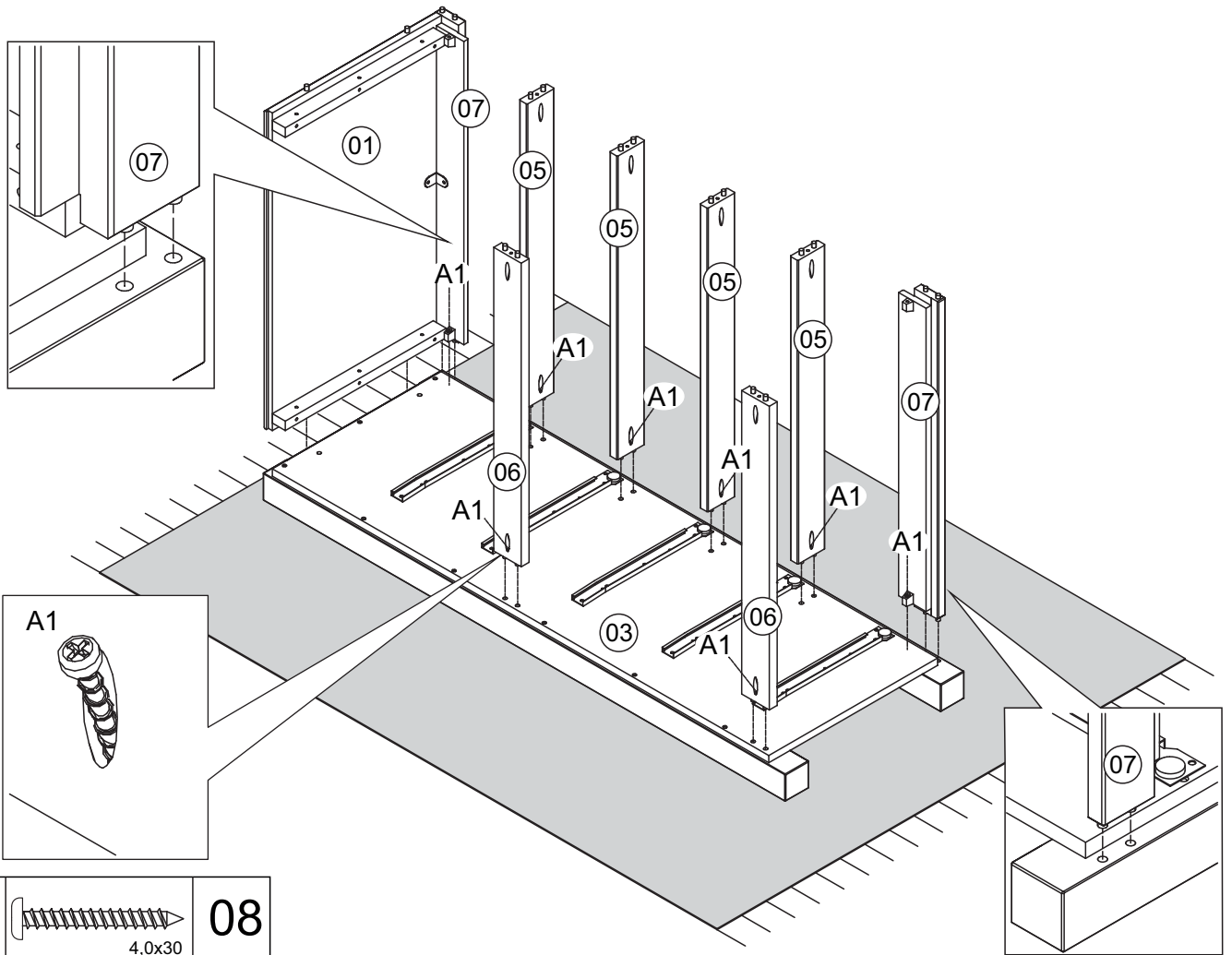
E13	 330mm - 13"	05	B31	 6,0x10	20	E14	 330mm - 13"	05
-----	---	----	-----	--	----	-----	---	----

03)

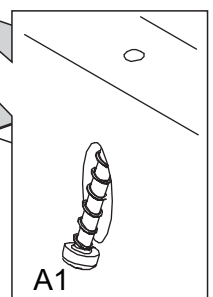
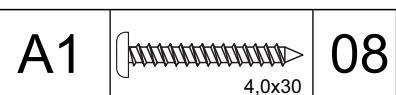
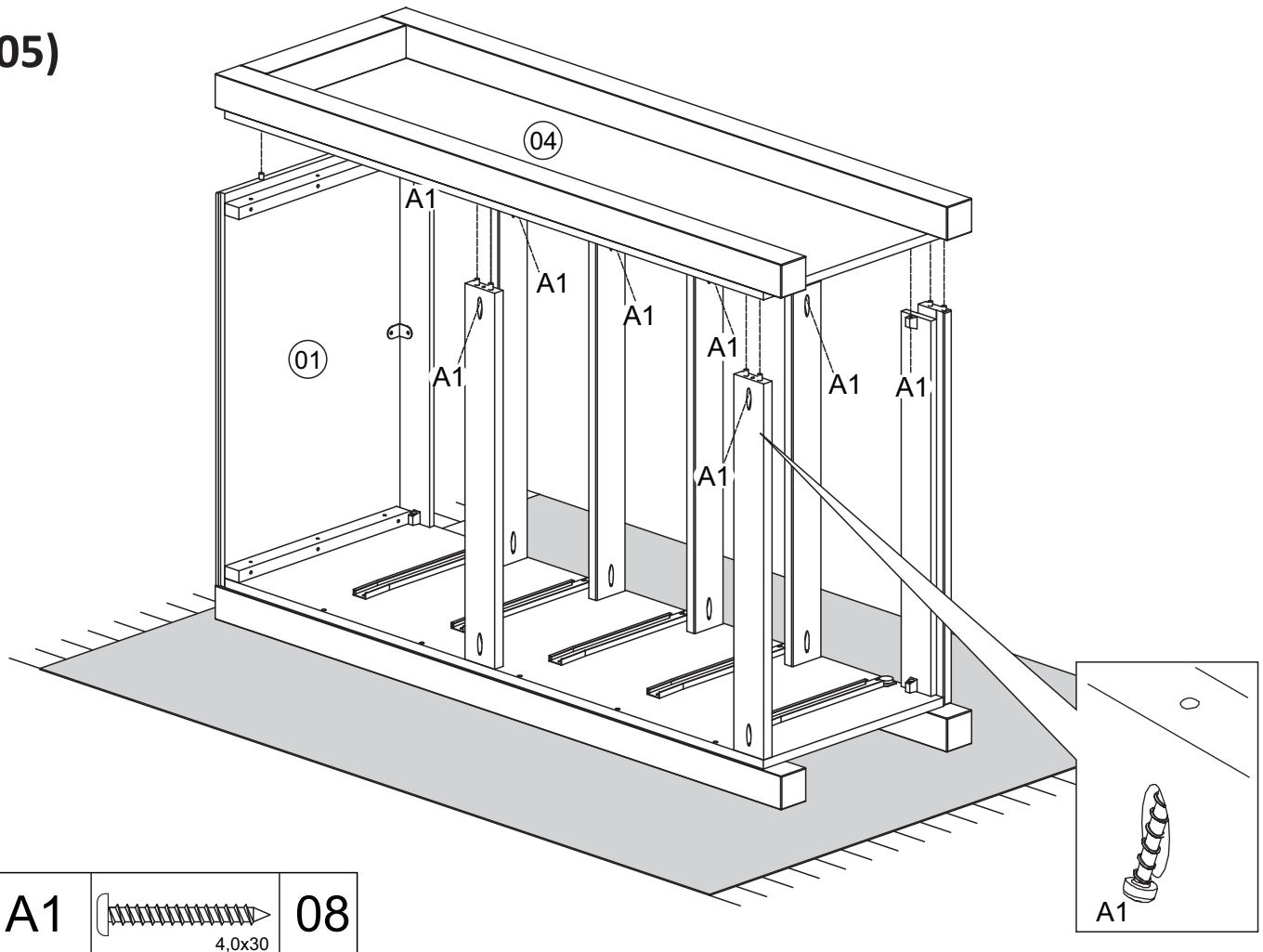


A34	 4,0x45	06
-----	--	----

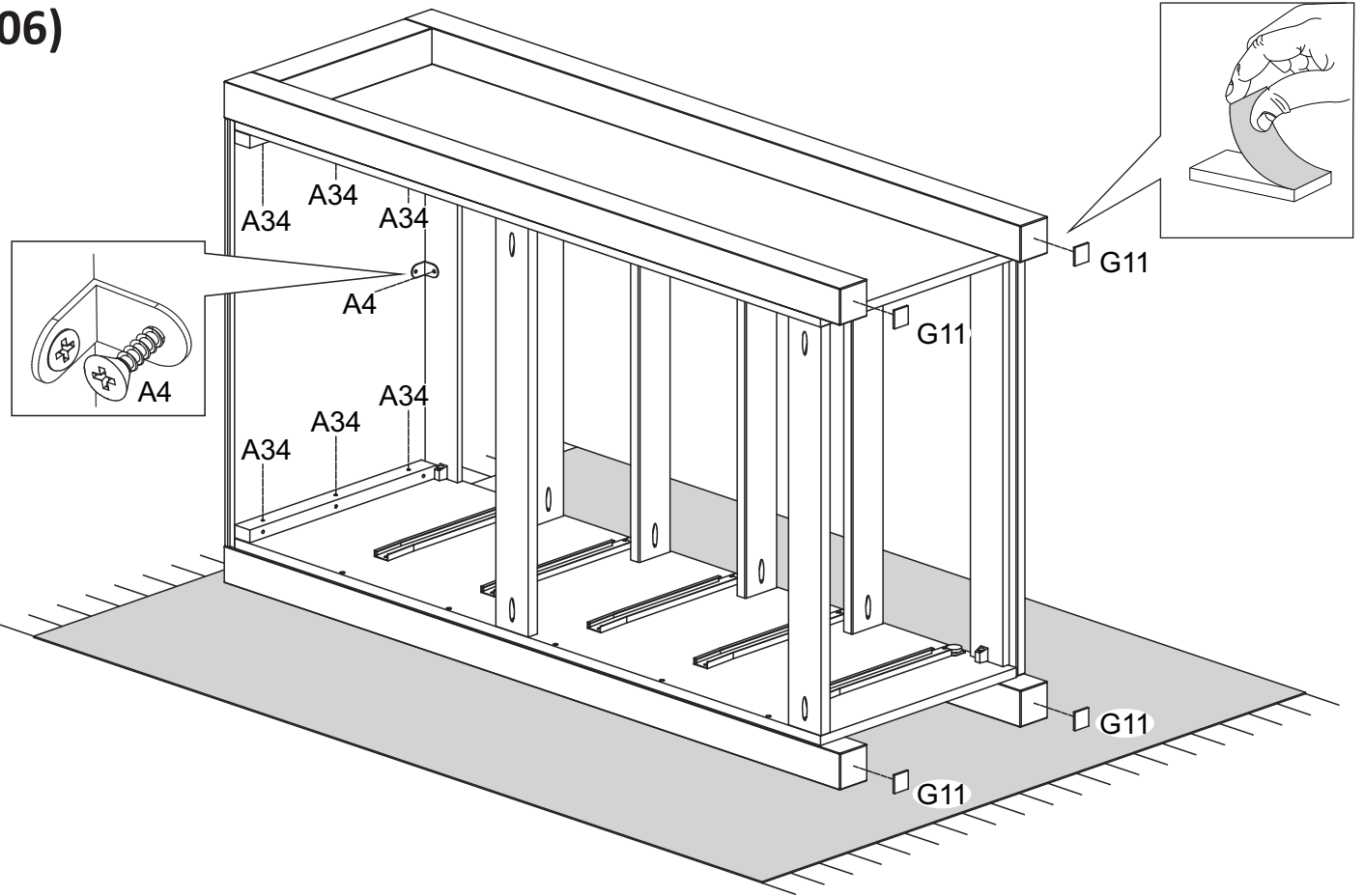
04)






05)

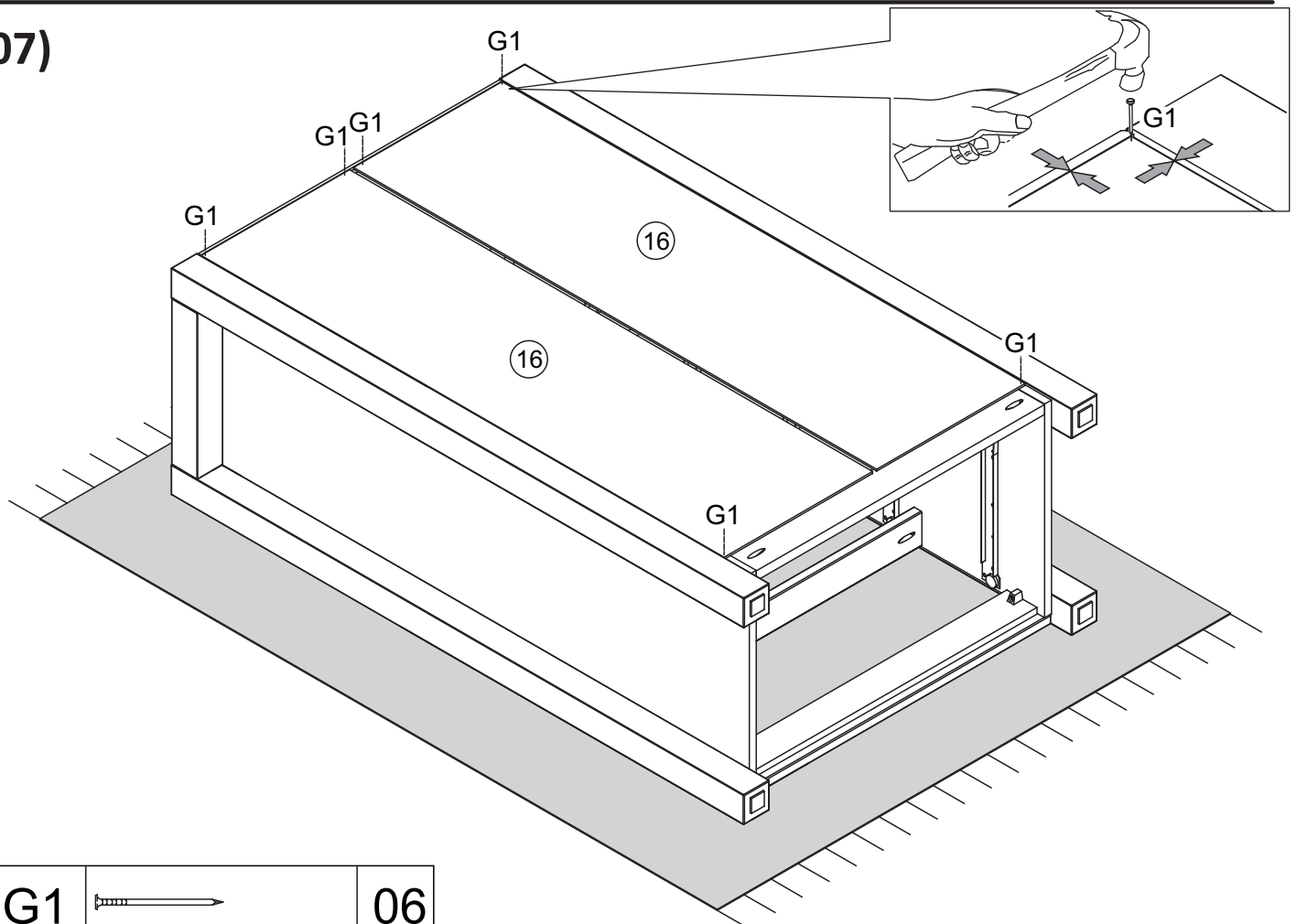



06)



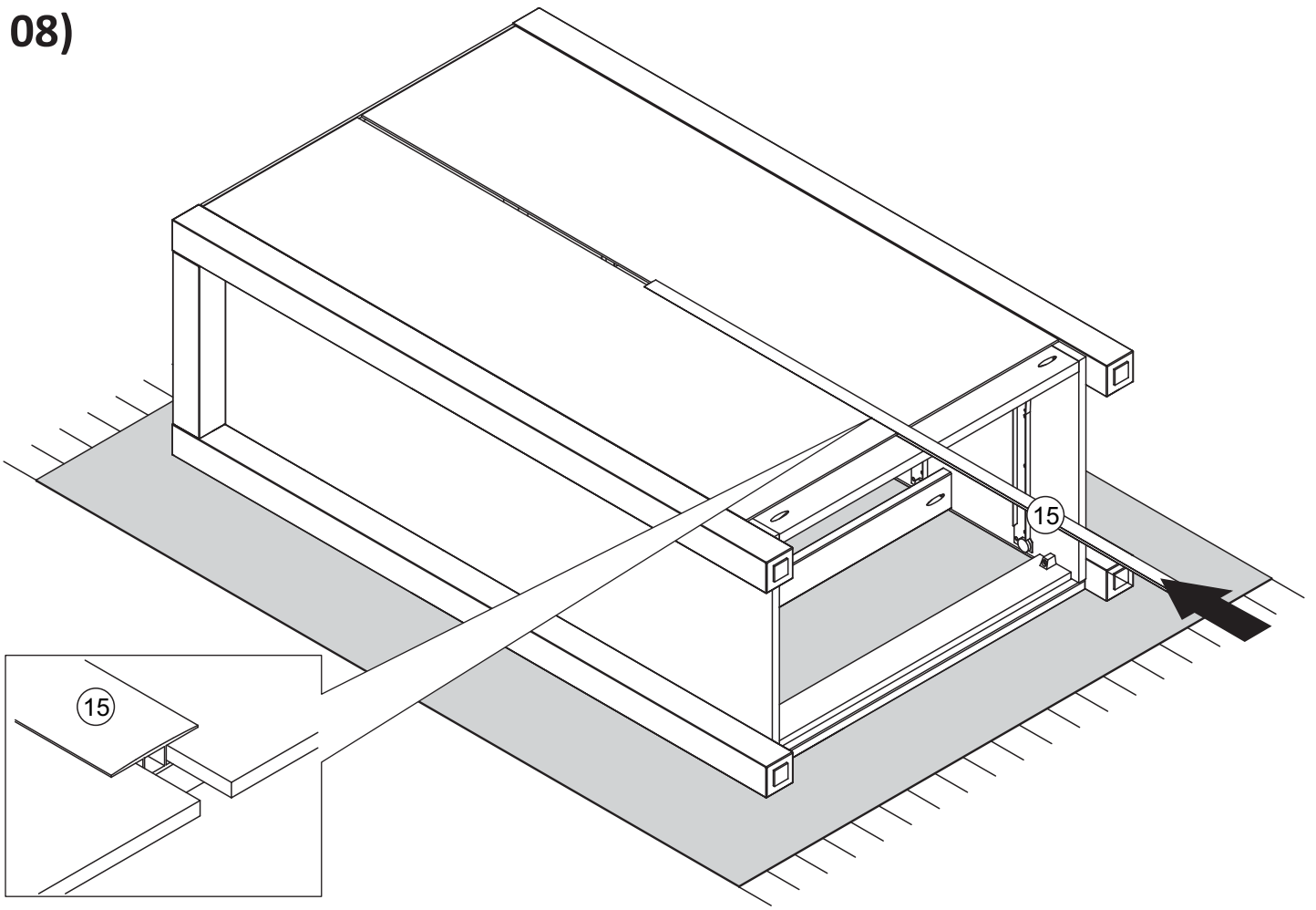
A4	 3,5x14	01 A34	 4,0x45	06	G11		04
----	--	--------	--	----	-----	---	----

07)

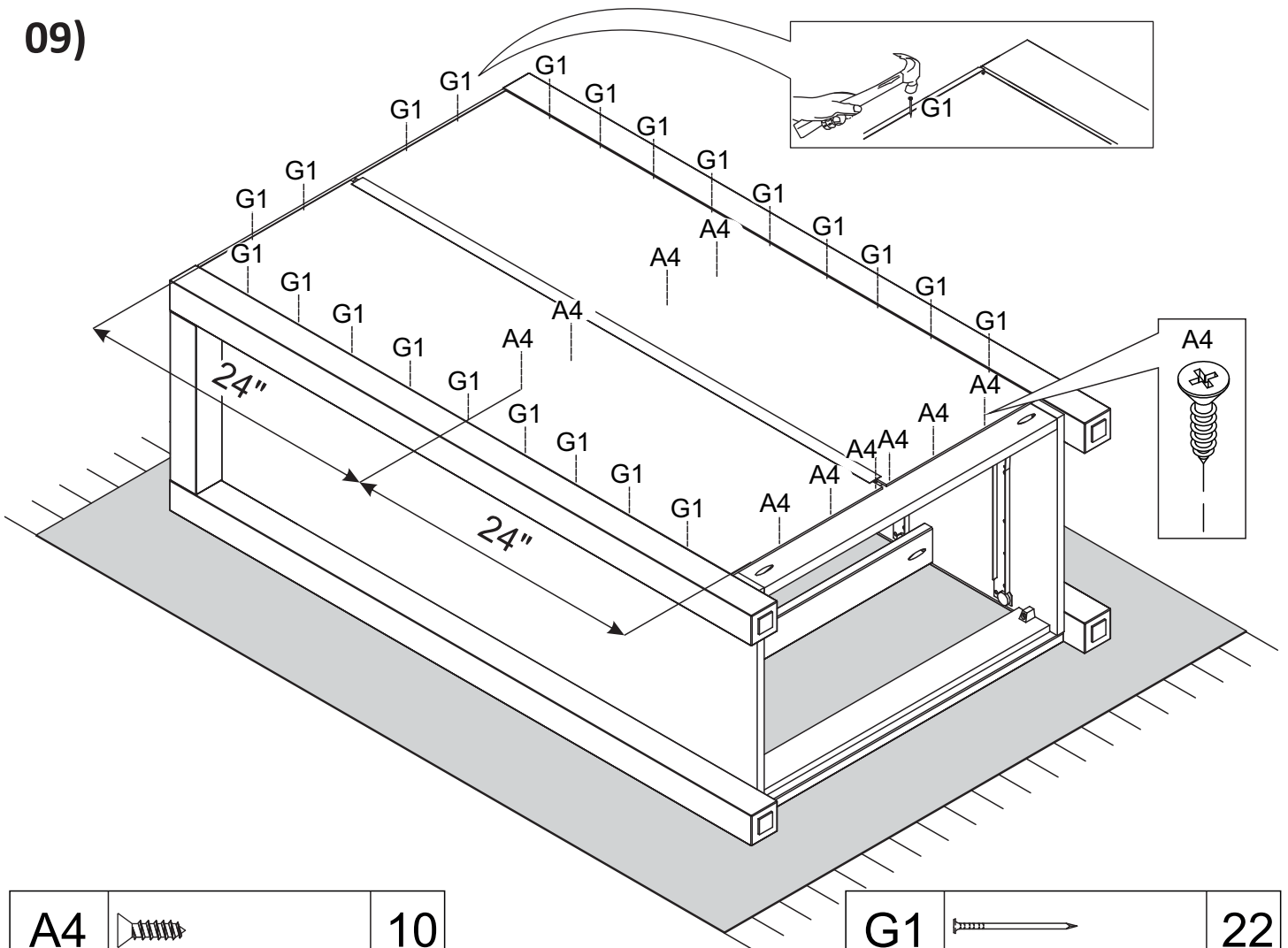


G1	 10x10	06
----	---	----

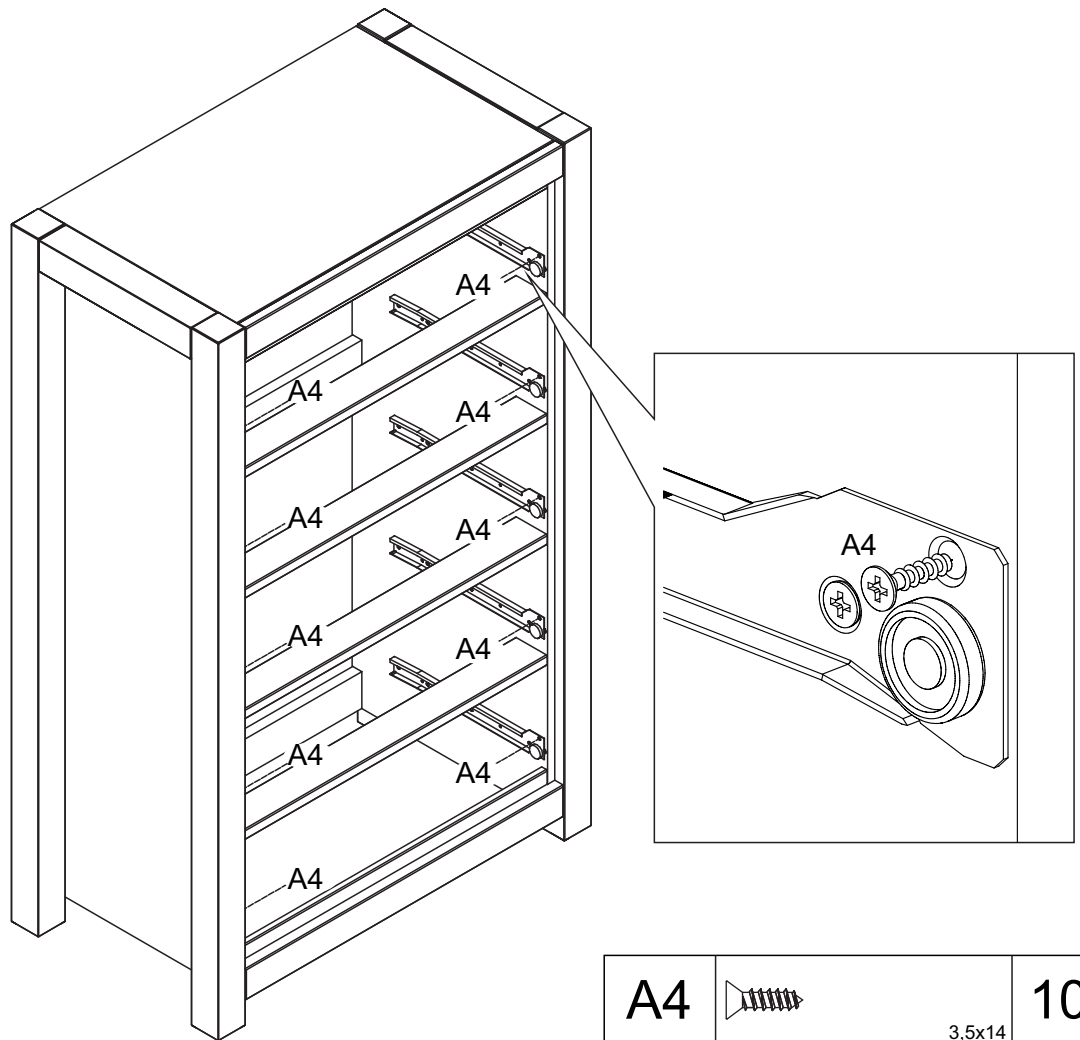
08)



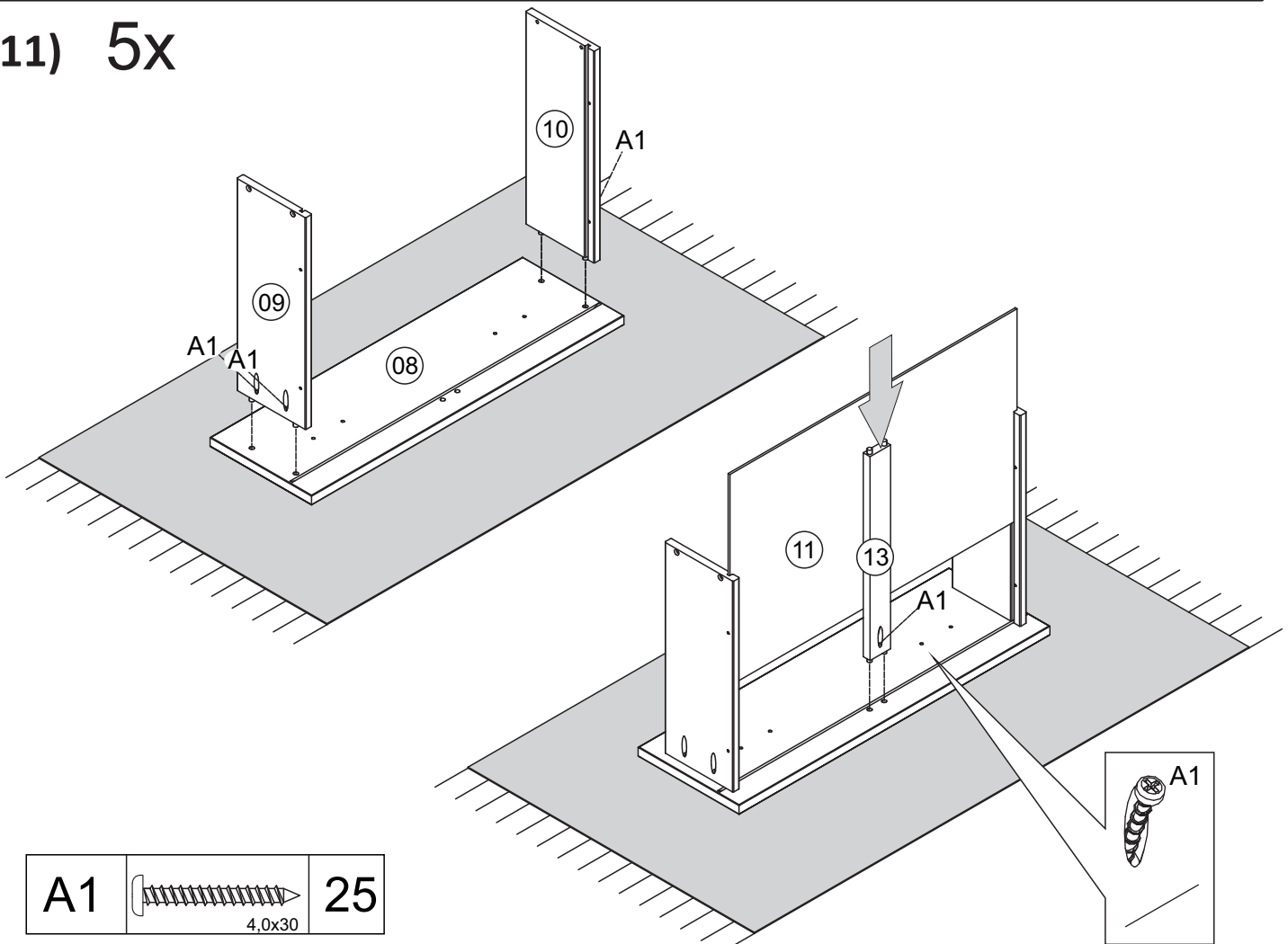
09)



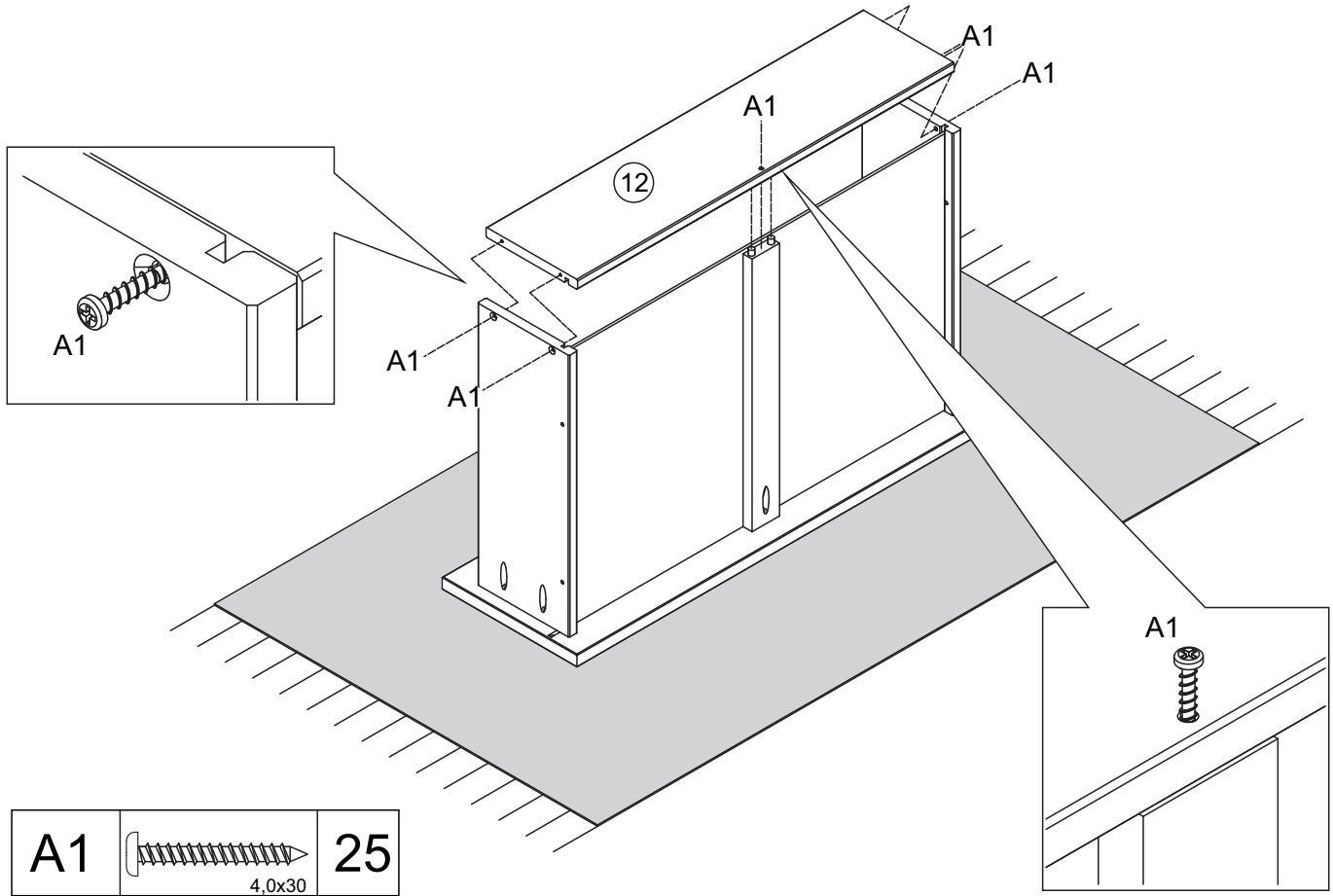
10)



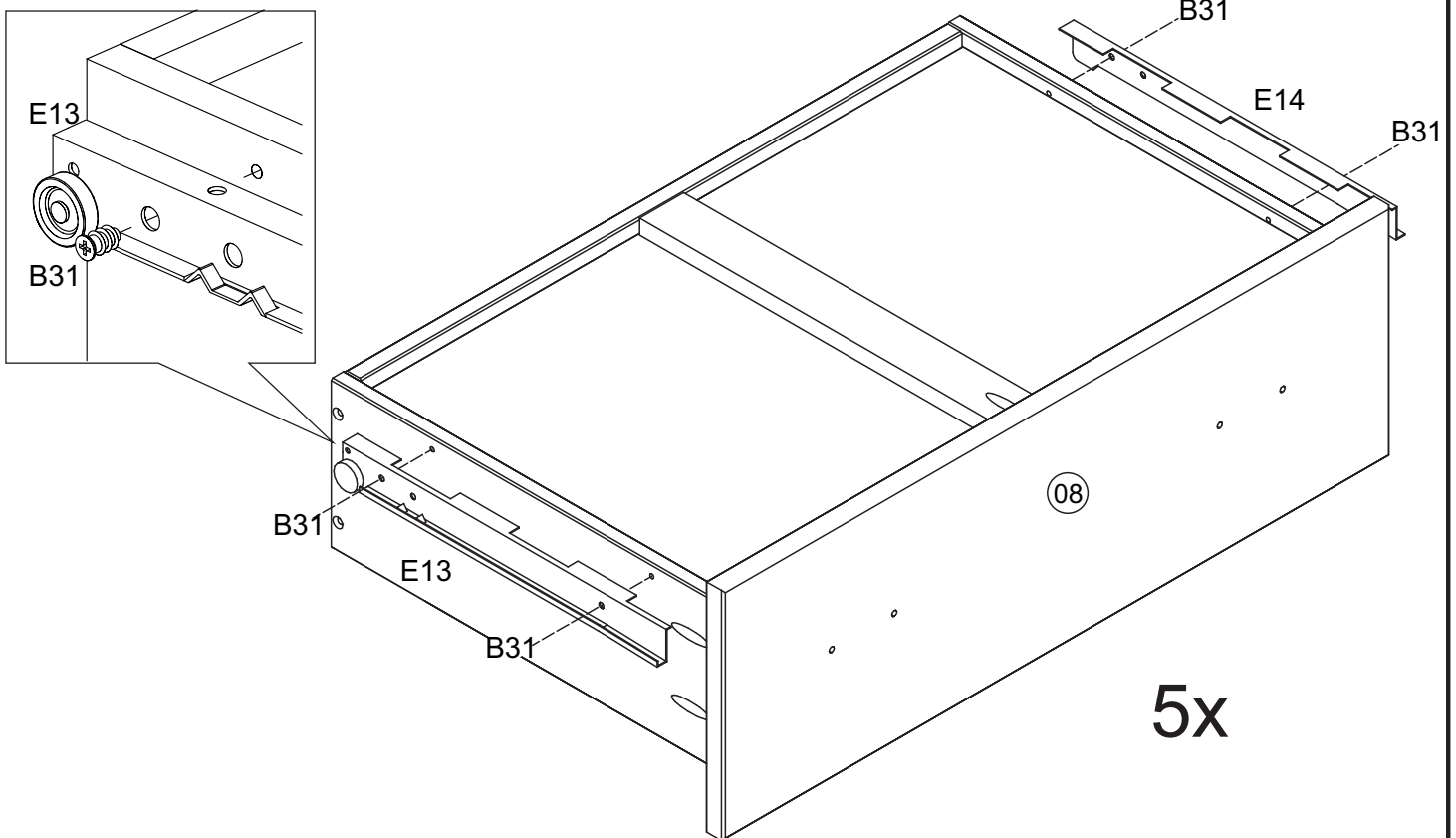
11) 5x


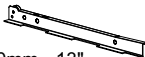



# 12) 5x

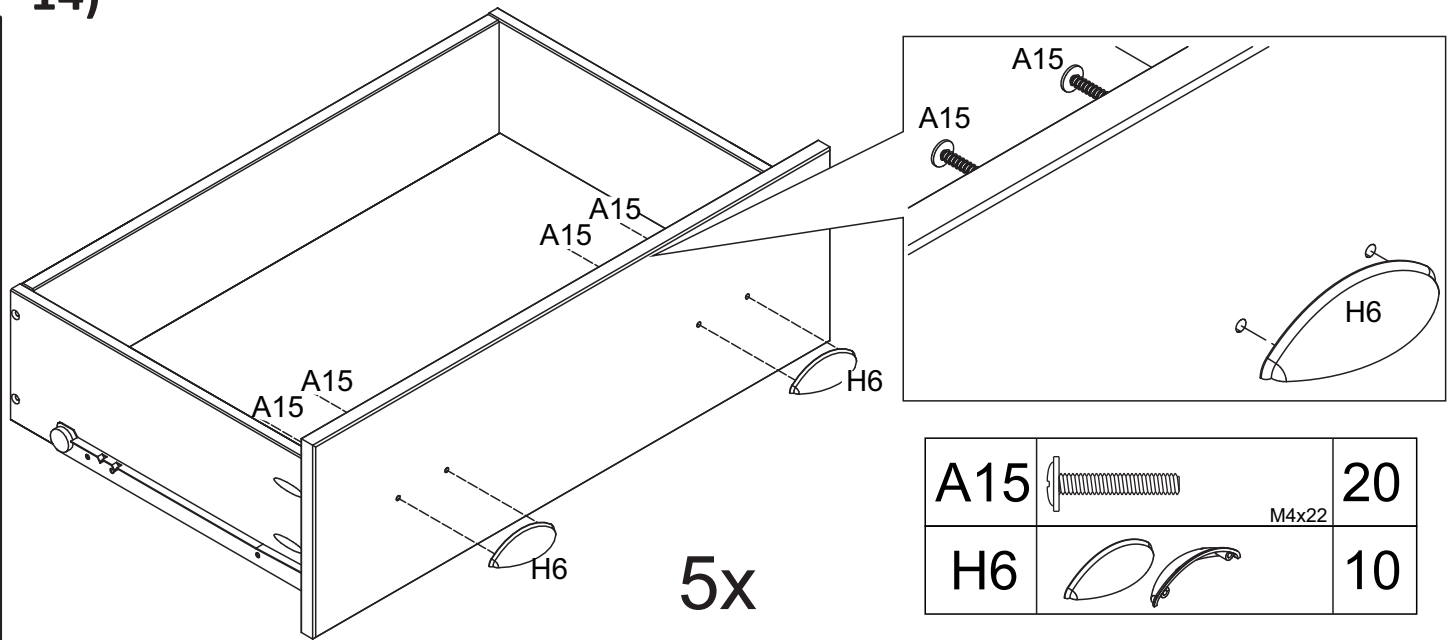


# 13) FLIP THE ASSEMBLED DRAWER UPSIDE DOWN TO INSTALL GLIDES

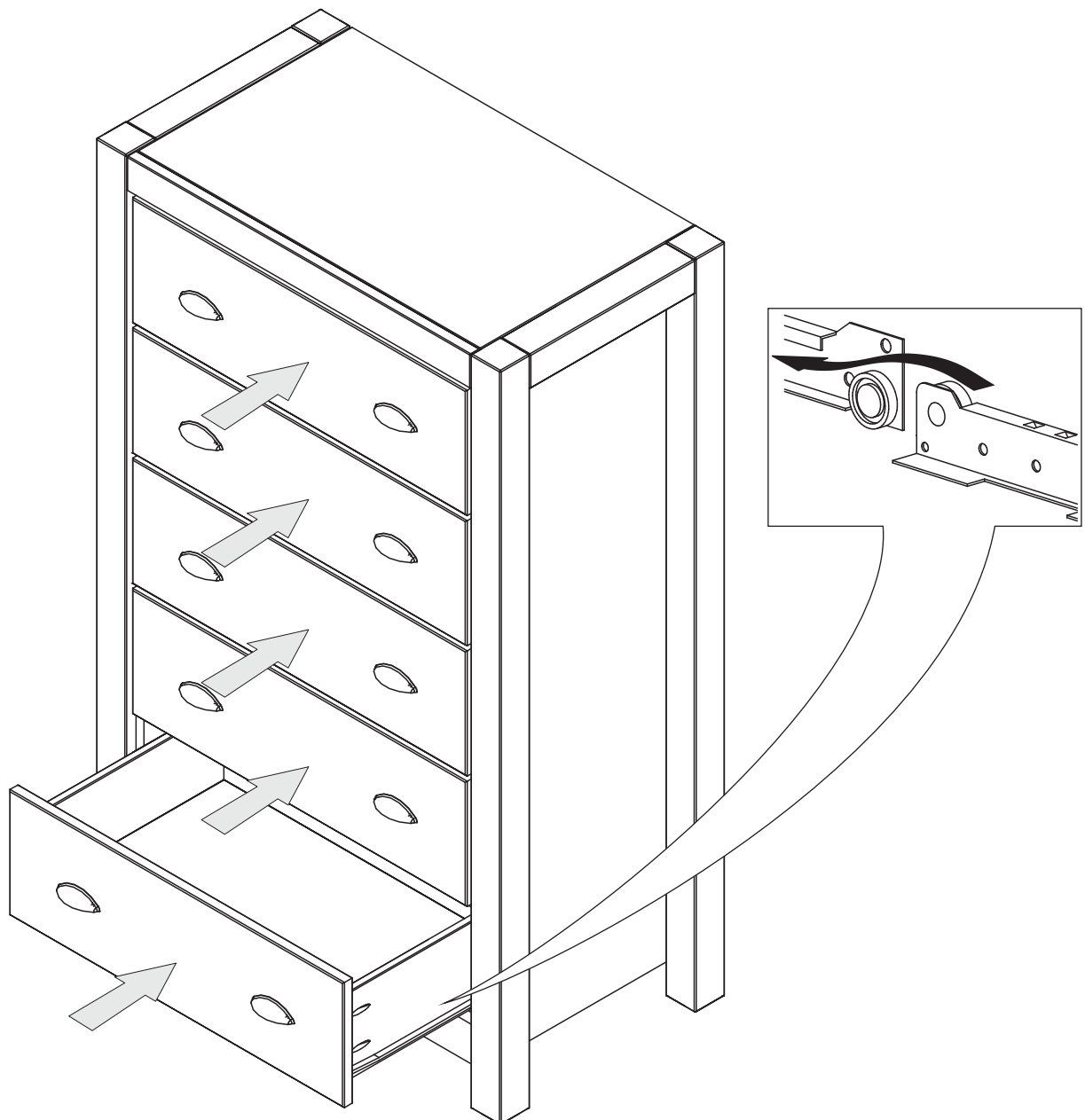


B31		20	E13		05	E14		05
	6,0x10			330mm - 13"			330mm - 13"	

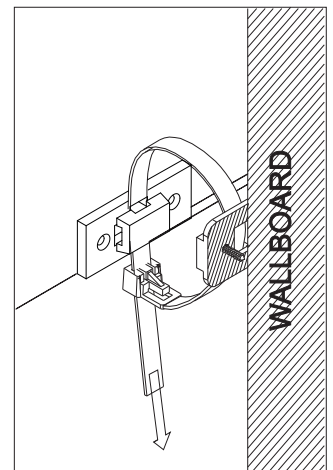
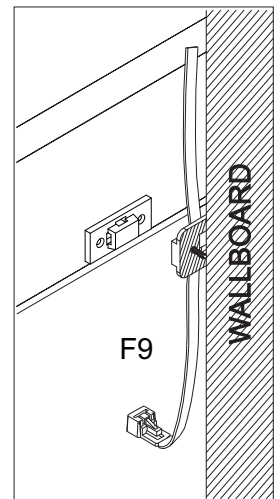
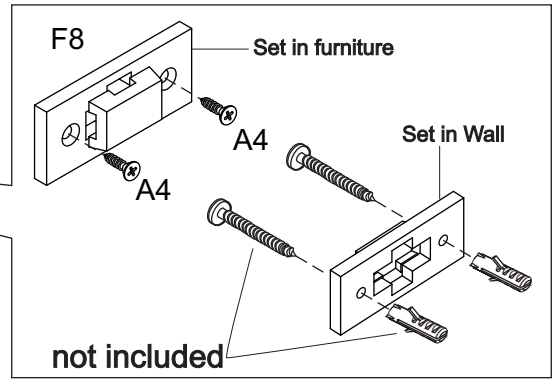
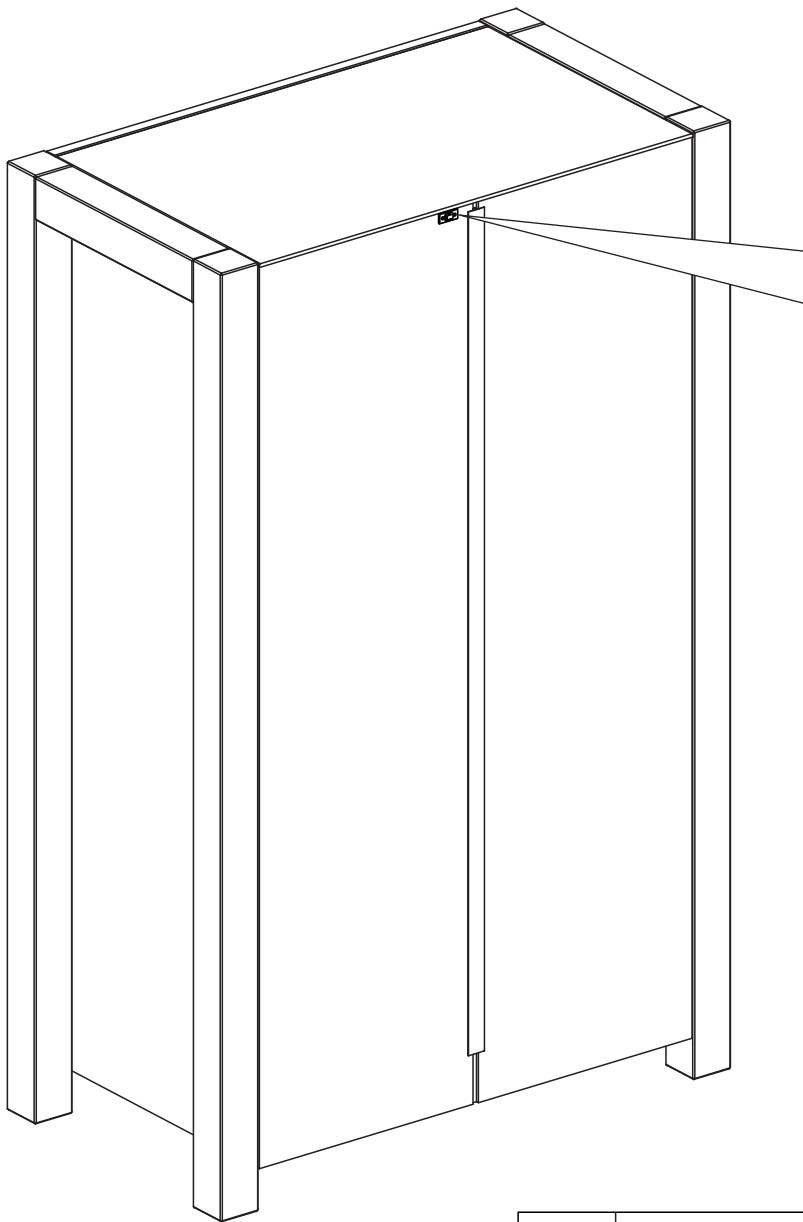
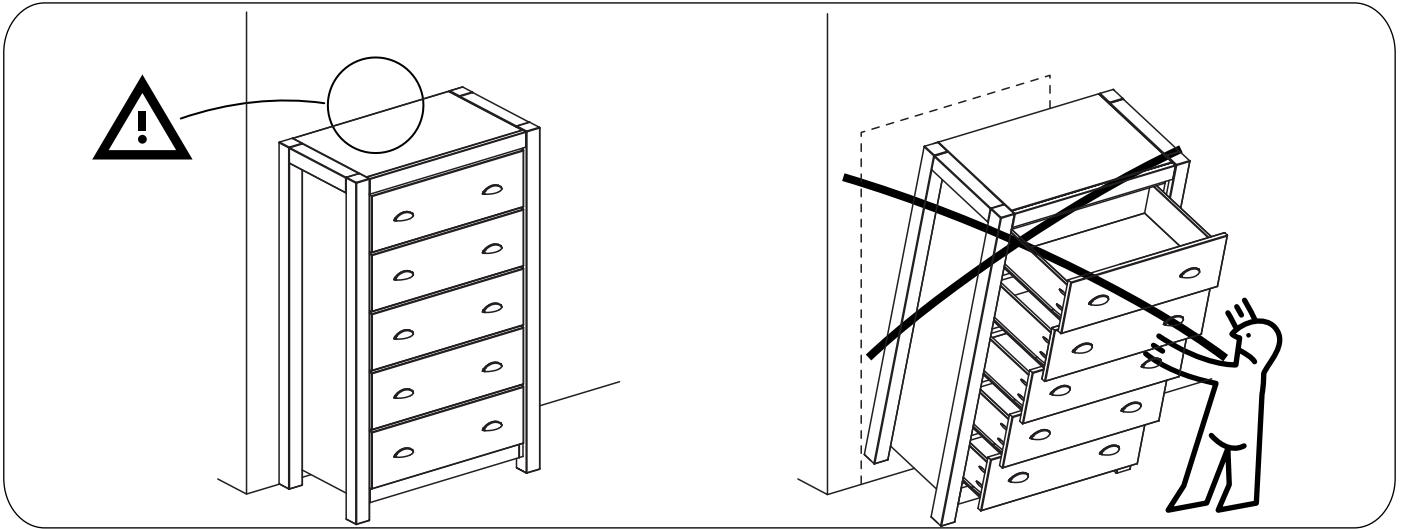
14)


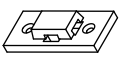



15)



16)



A4	 3,5x14	02
F8		02
F9		01