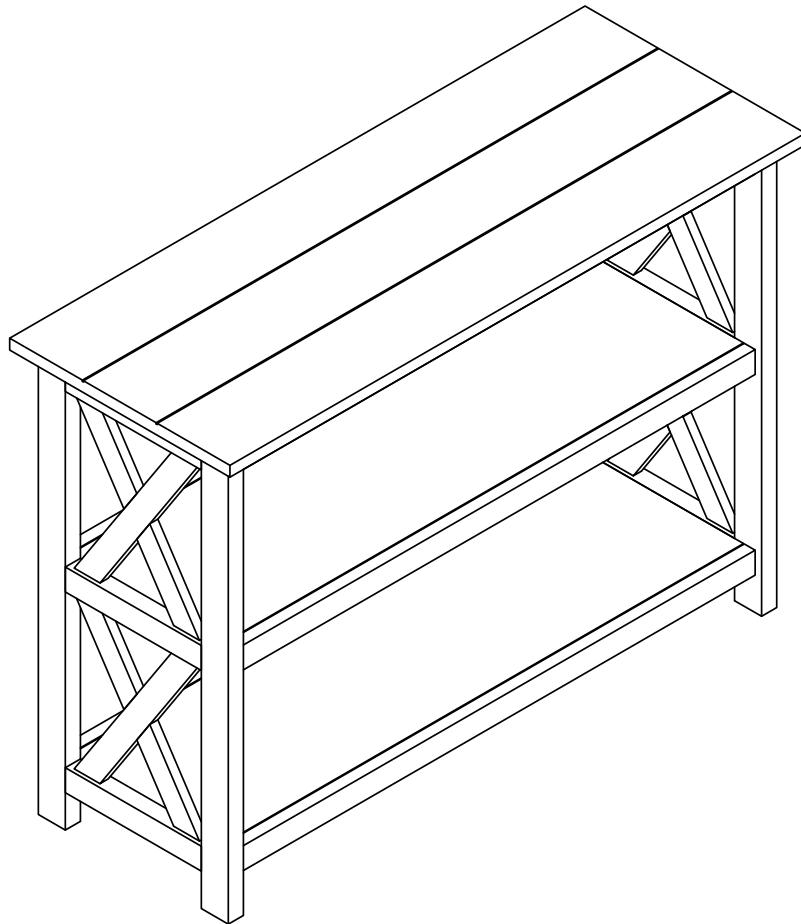
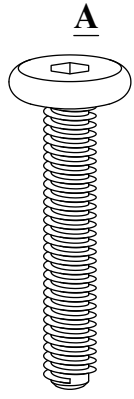


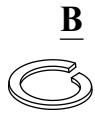
ASSEMBLY INSTRUCTIONS

ENTRYWAY TABLE

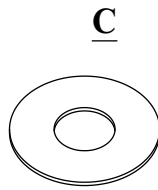




A
M6*35
12 PCS



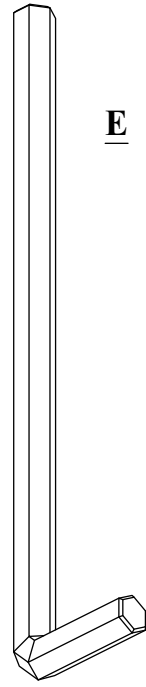
B
Spring Washer
12 PCS



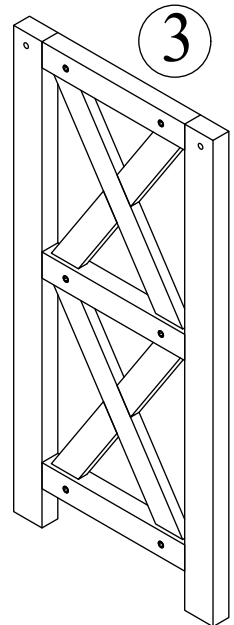
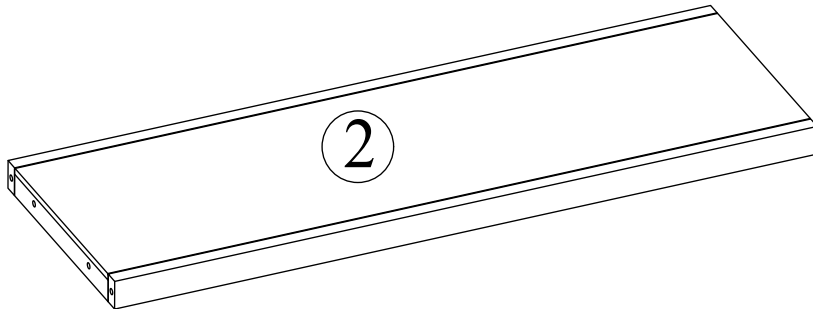
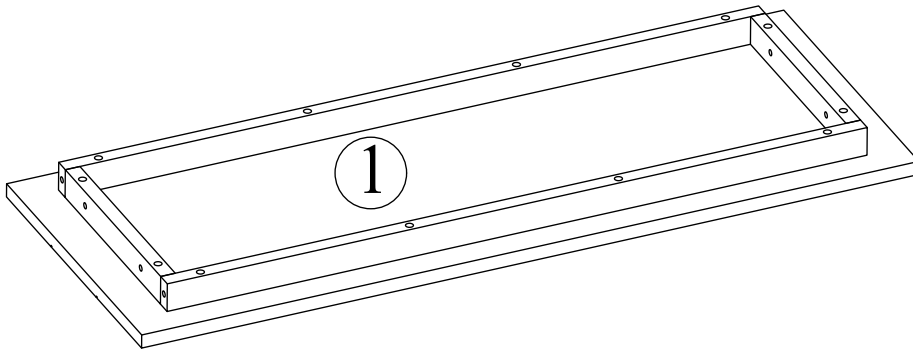
C
Flat Washer
12 PCS



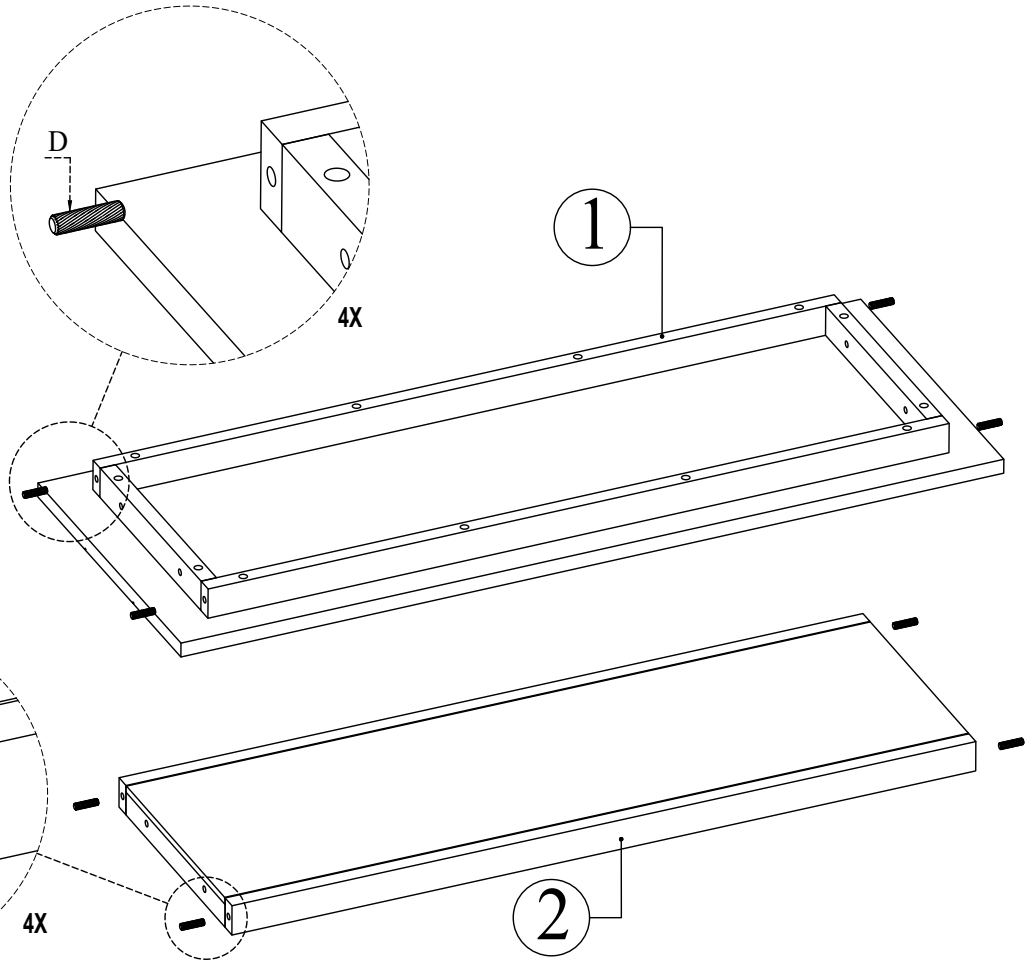
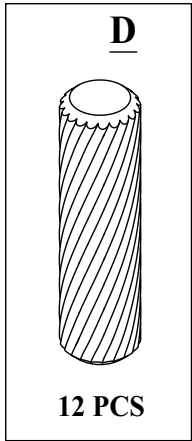
D
Wooden Dowel
12 PCS



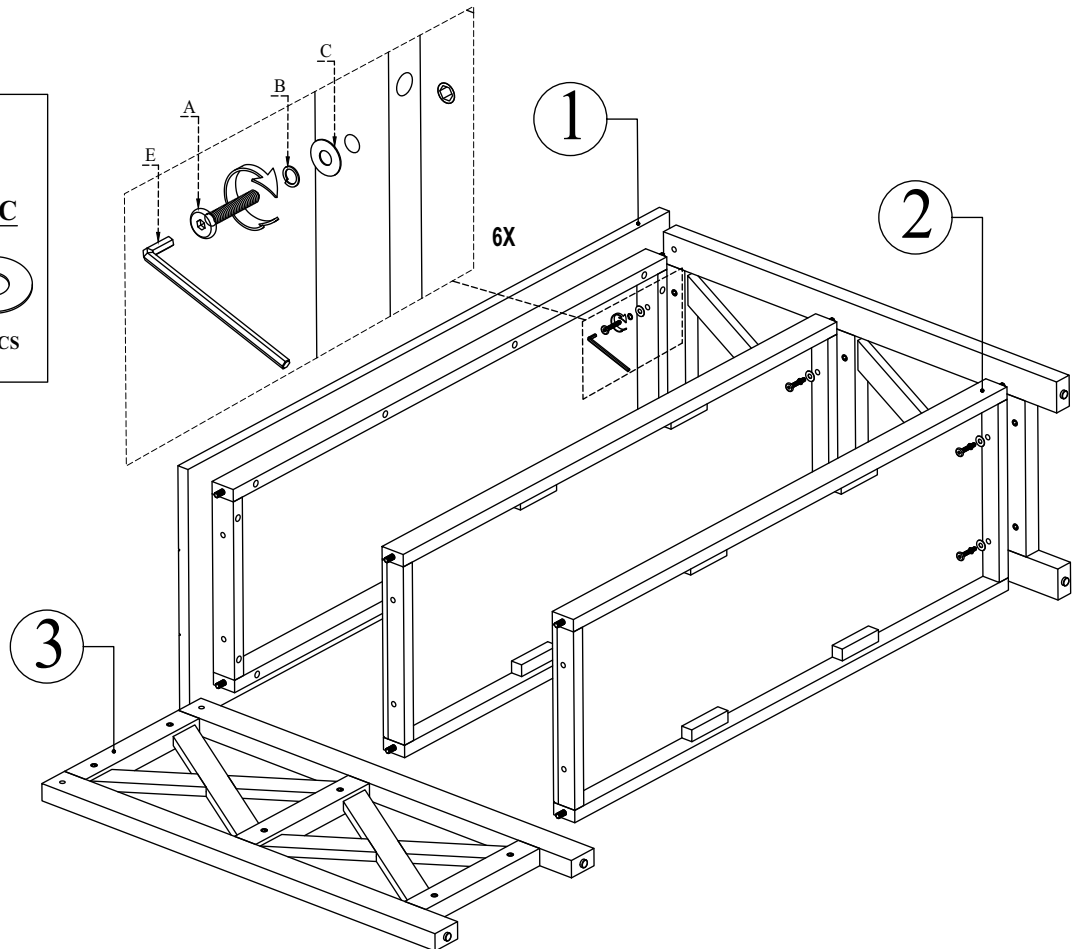
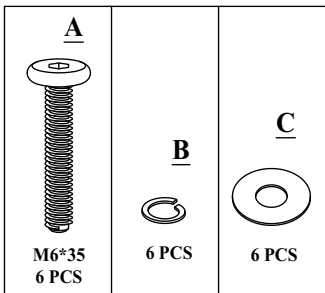
E
Allen Wrench
1 PC



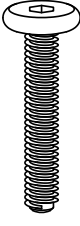

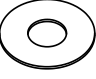
01



02



03

A  M6*35 6 PCS	B  6 PCS	C  6 PCS
---	--	--

