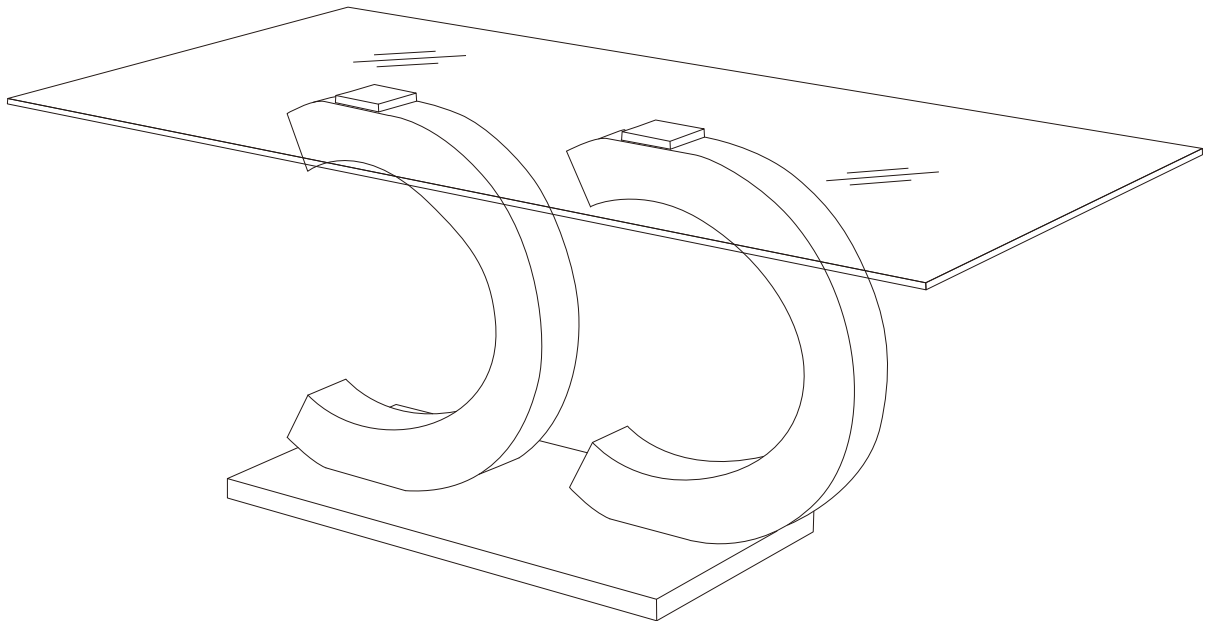


Assembly Instructions

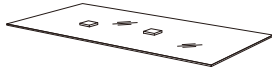





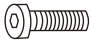



Caution:Pls read the AI before you proceed.



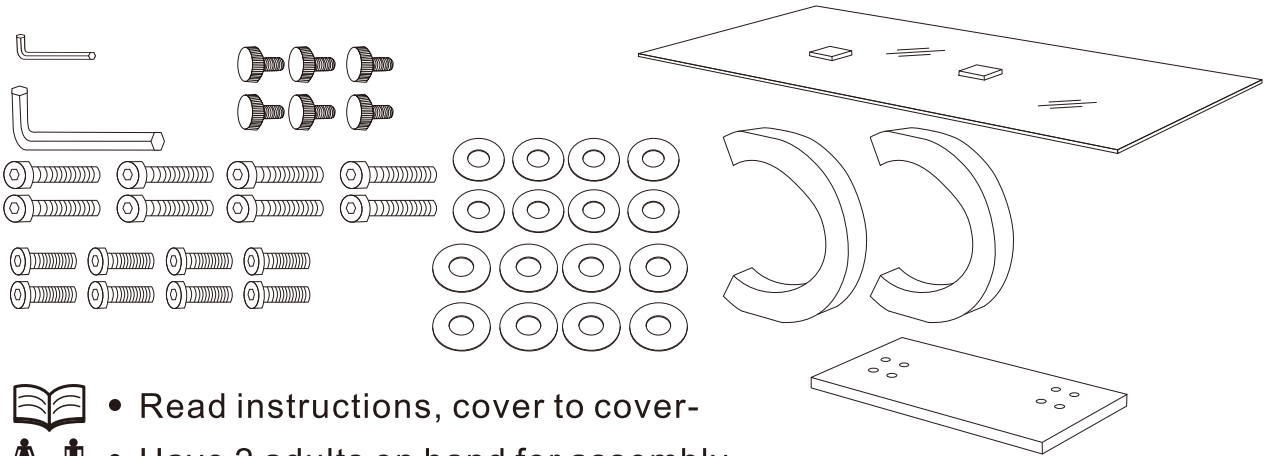
CAUTION:






Pls follow up the AI , when assemble the table leave your child away

Parts List

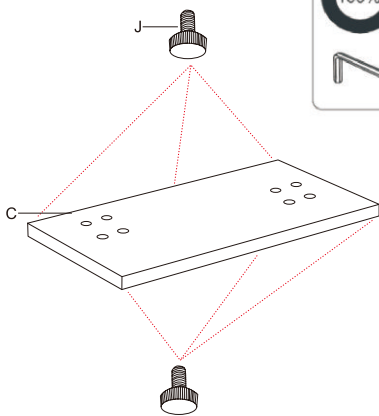
NO.	Picture	Description	Qty
A		Glass	1
B		legs	2
C		Base Plate	1
D	 6cm	Allen key	1
E	 8cm	Allen key	1
F	 8*110mm	Screw	8
G	 10*30mm	Screw	8
H	 10*20mm	Gasket	8
I	 8*15mm	Gasket	8
J	 8*18mm	Adjusting Foot	6

Assembly Preparation Before Beginning Assembly



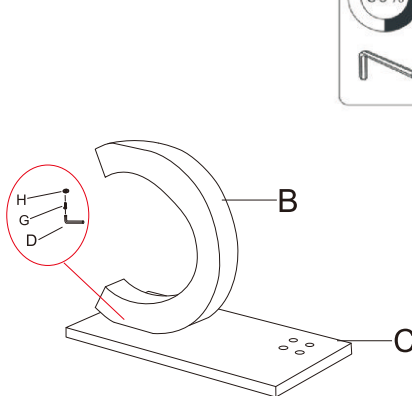
-  • Read instructions, cover to cover-
-  • Have 2 adults on hand for assembly-
-  • Do not assemble on flooring or carpet-
-  • Assemble on a clean non- marring surface (packing foam)-
-  • Save all packaging until finished-

Step 1



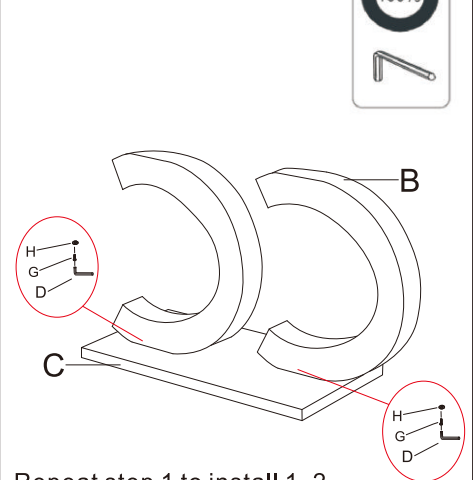
Install adjusting feet

Step 2



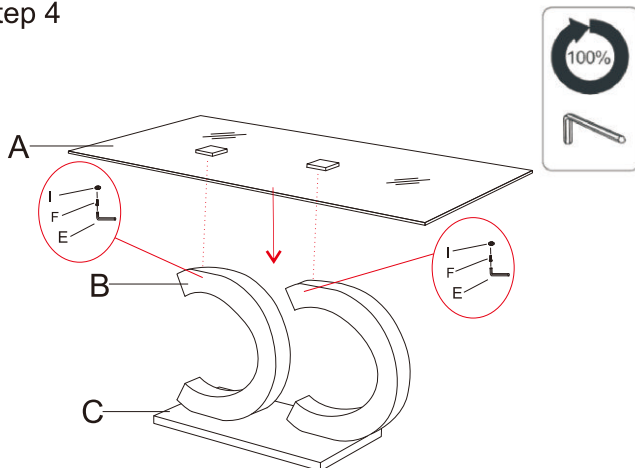
Install legs

Step 3



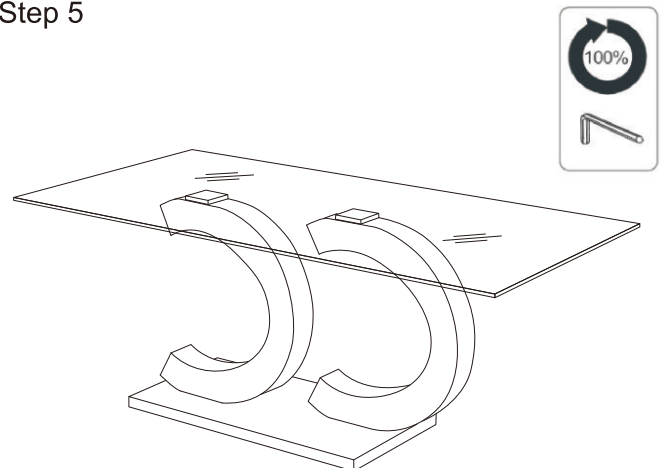
Repeat step 1 to install 1, 2

Step 4



Place the glass on the shelf where it has been installed

Step 5



To accomplish