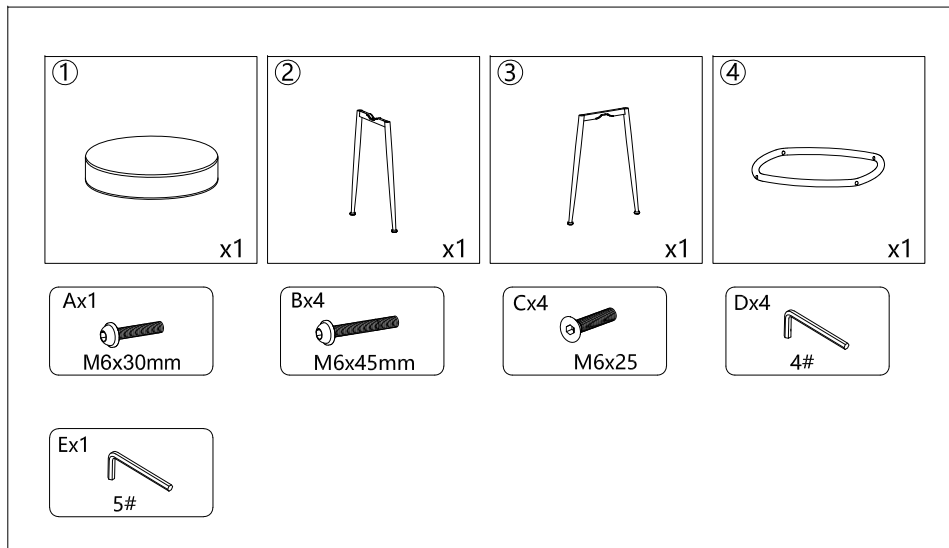
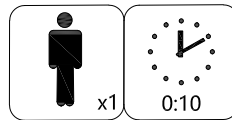
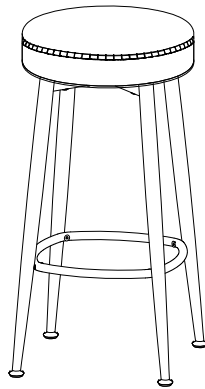


# ASSEMBLY INSTRUCTIONS

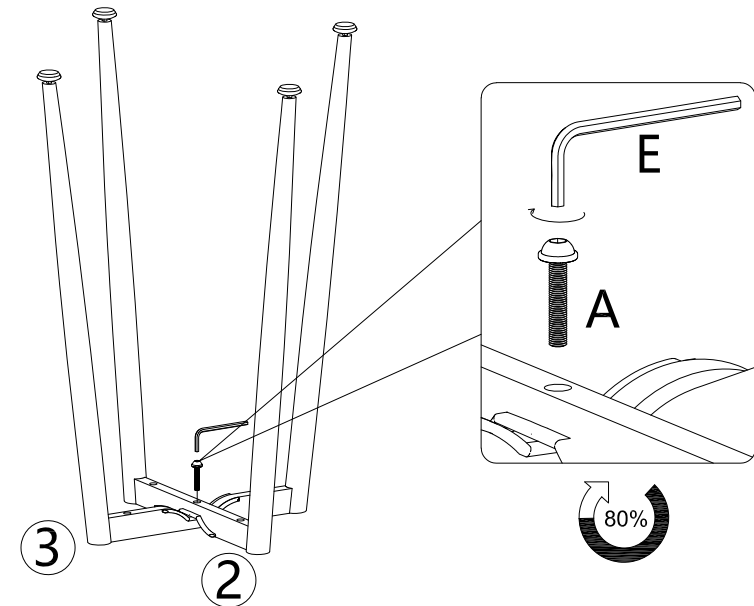
Counter & Bar Height Stool#: M-3003



Please read through the instructions below to familiarize yourself with the parts and steps before assembly.

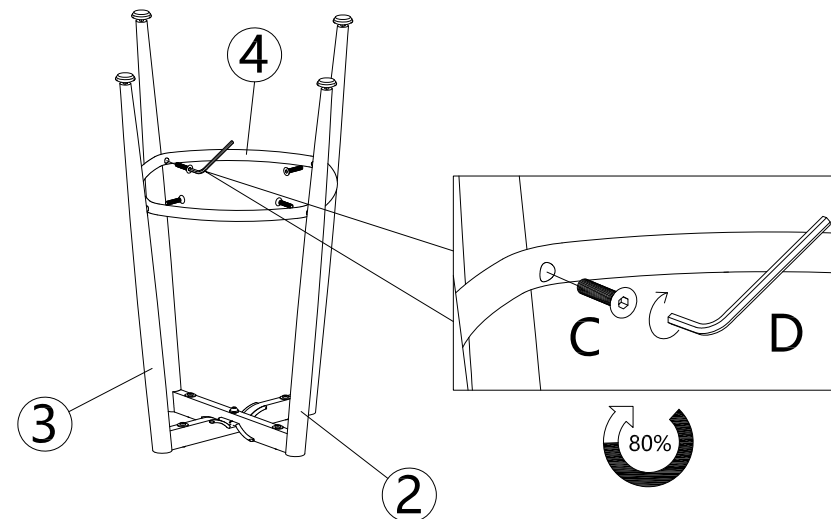
**Note: Do NOT use power tools for assembly**

**1** Unpack and place seat (1), legs (2&3), footrest (4) on a clean surface. Attach the leg part (2) to (3), using bolt (A), Allen wrench(E). **Note: Do not fully tighten yet.**

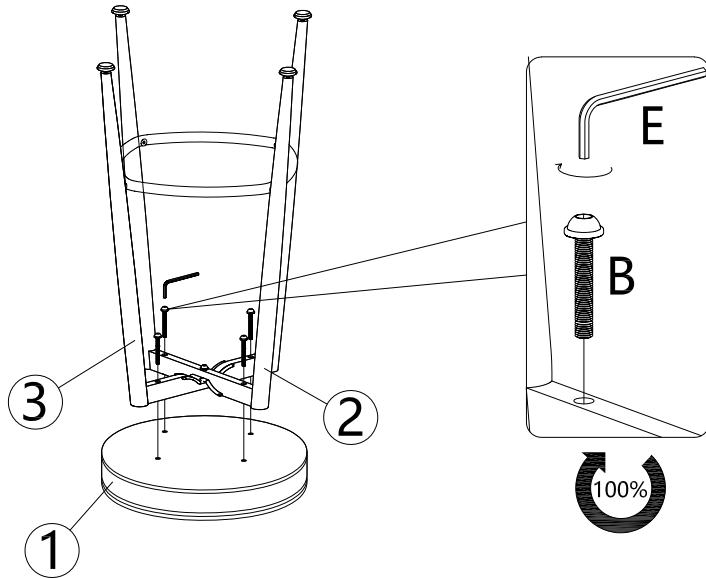


**2** Attach footrest (4) to stool legs in step 1. Loosely attach the bolts (C) one by one and keep them loose. Do not fully tighten. After loosely attach the first bolt, move on to the diagonal bolt. After all 4 bolts are attached, use allen wrench (D) to tighten.

**Note: Do NOT use power tools for assembly.**



- 3** Turn assembled legs in step 2 upside down, and attach them to seat (1), using longest bolts (B), allen wrench (E). **Note: Tighten all bolts.**



- 5** Assembly Completed. Enjoy.

- 4** Turn assembled chair upright and place on a flat surface.  
**Note: Each leg has an adjustable foot leveler to help level your chair.**

